

[54] **MINE CAR TRUCK**

[75] **Inventor: Joseph L. O'Lear, Irwin, Pa.**

[73] **Assignee: Huwood-Irwin Co., Irwin, Pa.**

[\*\*] **Term: 14 Years**

[21] **Appl. No.: 869,417**

[22] **Filed: Jan. 16, 1978**

[51] **Int. Cl. .... D12-03**

[52] **U.S. Cl. .... D12/46**

[58] **Field of Search .... D12/46; 105/199 CB,  
105/182 R, 216, 217, 215 R, 202, 208, 197 R**

[56] **References Cited**

**U.S. PATENT DOCUMENTS**

D. 152,988	3/1949	Laukus, Sr. ....	D12/46
486,968	11/1892	Fisher .....	105/216
2,513,266	6/1950	Laukus, Sr. ....	105/182 R

*Primary Examiner*—James M. Gandy

*Attorney, Agent, or Firm*—Joseph A. DeGrandi

[57] **CLAIM**

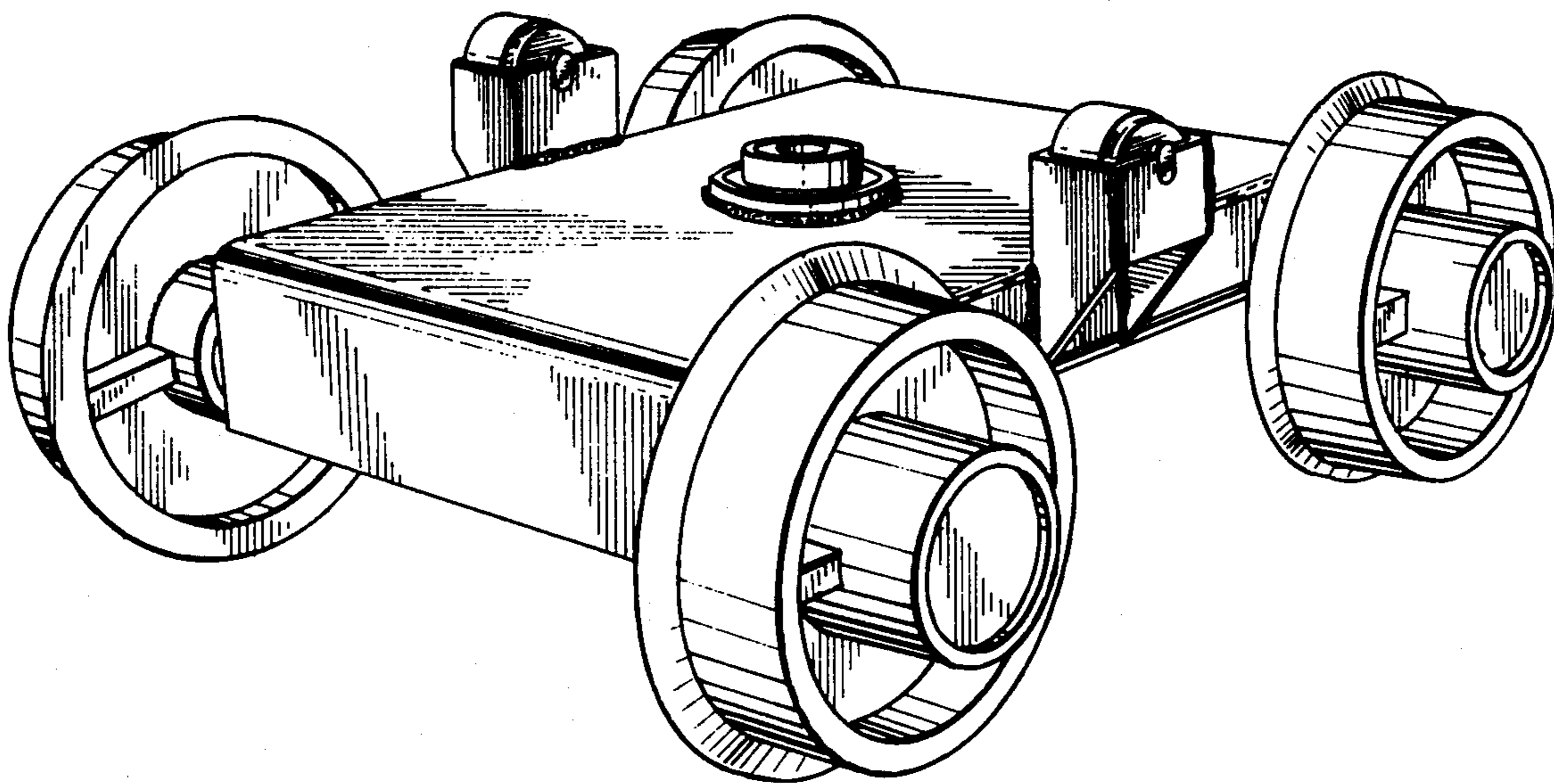
The ornamental design for a mine car truck, as shown.

**DESCRIPTION**

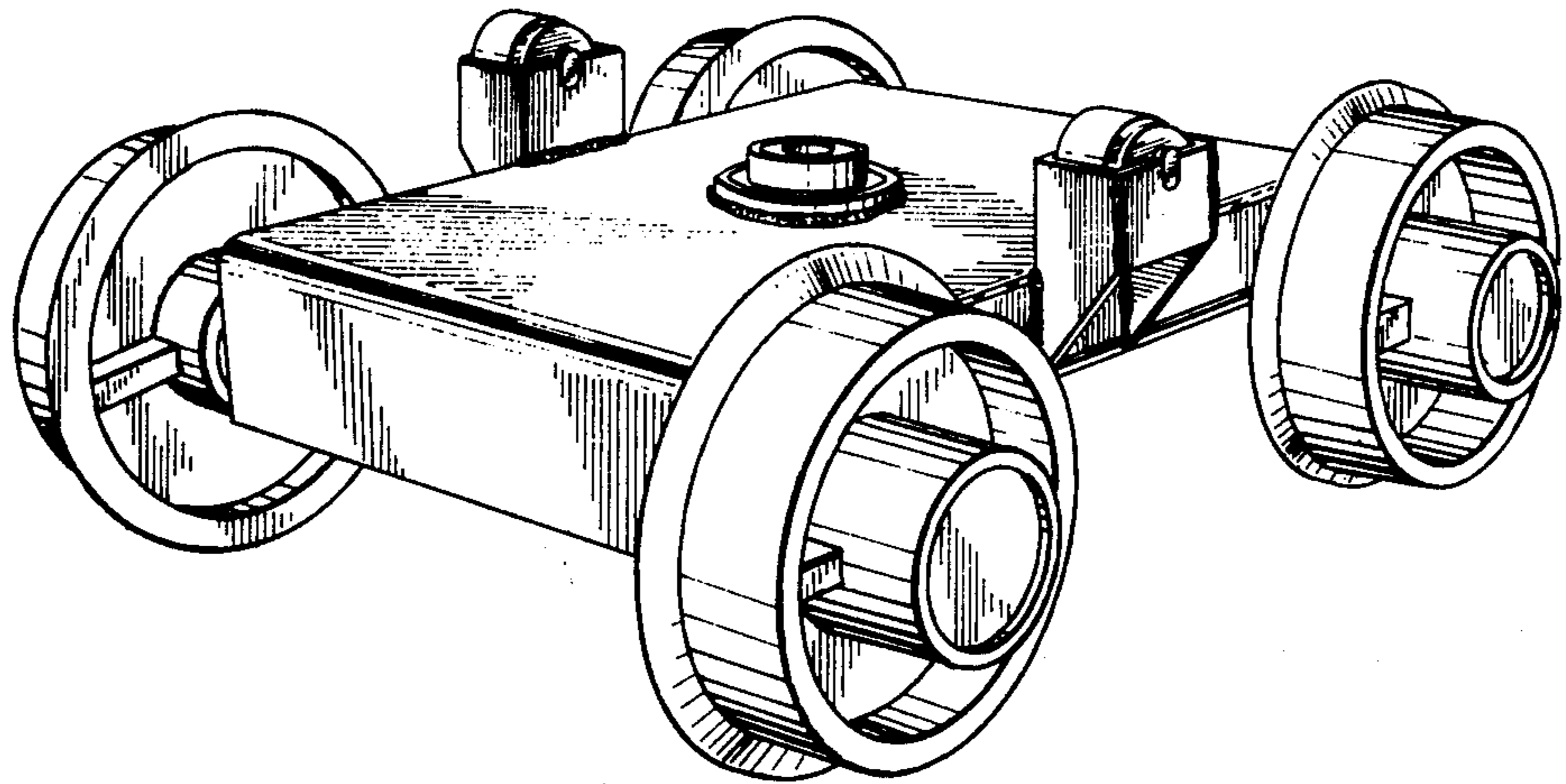
FIG. 1 is a perspective view of a mine car truck showing the top, rear and left hand side of my new design.

FIG. 2 is a front perspective view thereof.

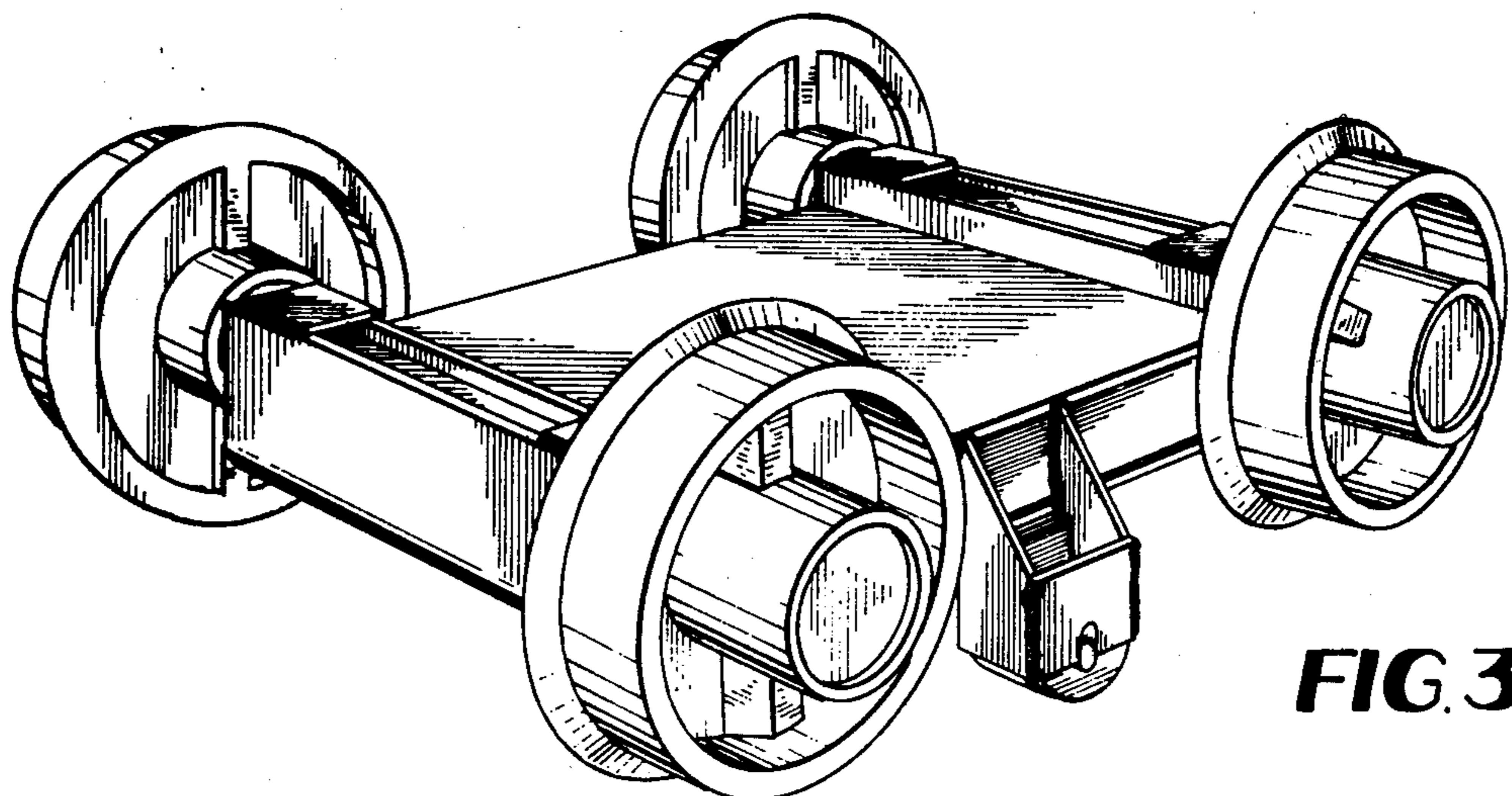
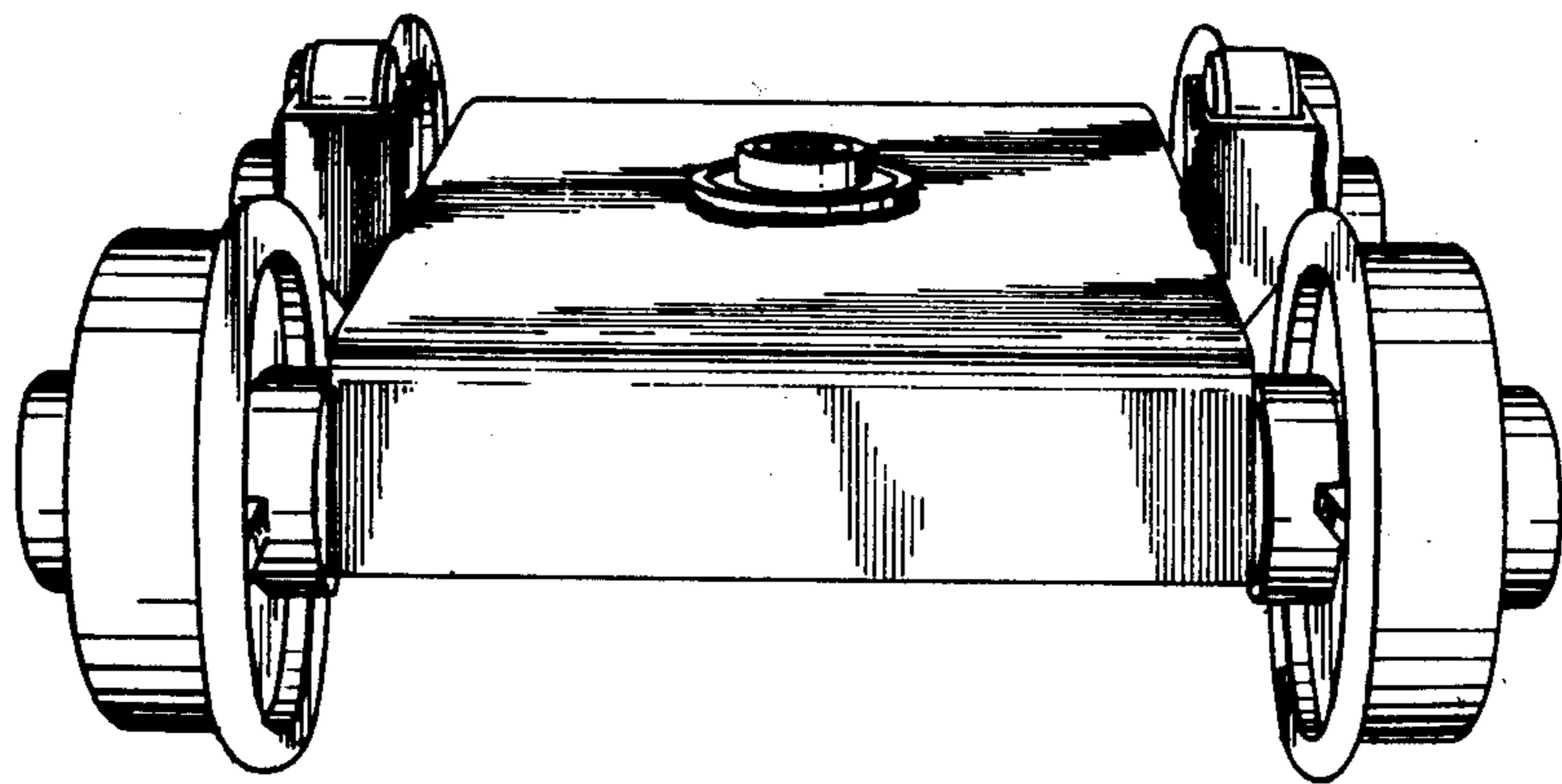
FIG. 3 is a perspective view showing the bottom, rear, and right hand side thereof.



**FIG. 1**



**FIG. 2**



**FIG. 3**