

[54] HOLDER FOR A SHAVING UNIT

[75] Inventor: Warren I. Nissen, Topsfield, Mass.

[73] Assignee: The Gillette Company, Boston, Mass.

[**] Term: 14 Years

[21] Appl. No.: 875,129

[22] Filed: Feb. 3, 1978

Related U.S. Application Data

[63] Continuation-in-part of Ser. No. 709,619, Jul. 28, 1976.

[51] Int. Cl. D9-03

[52] U.S. Cl. D9/192; D9/186

[58] Field of Search 206/44 R, 45.31, 351, 206/352, 461, 471; D9/186, 191, 192, 224; D7/194

[56] References Cited

U.S. PATENT DOCUMENTS

D. 236,437	8/1975	Leathers	D9/186
D. 238,932	2/1976	Thomas	D9/192
D. 242,326	11/1976	Thorman et al.	D9/191
D. 246,754	12/1977	Klosk	D7/194
3,255,880	6/1966	Grossman	D9/192 X
4,005,776	2/1977	Seeley	206/461 X

Primary Examiner—Robert C. Spangler
Attorney, Agent, or Firm—Richard A. Wise

[57] CLAIM

The ornamental design for a holder for a shaving unit, substantially as shown and described.

DESCRIPTION

FIG. 1 is a perspective view of a holder for a shaving unit showing my new design;

FIG. 2 is a top plan view thereof;

FIG. 3 is a bottom plan view thereof;

FIG. 4 is a left side elevational view thereof;

FIG. 5 is a right side elevational view thereof;

FIG. 6 is a front elevational view thereof; and

FIG. 7 is a rear elevational view thereof.

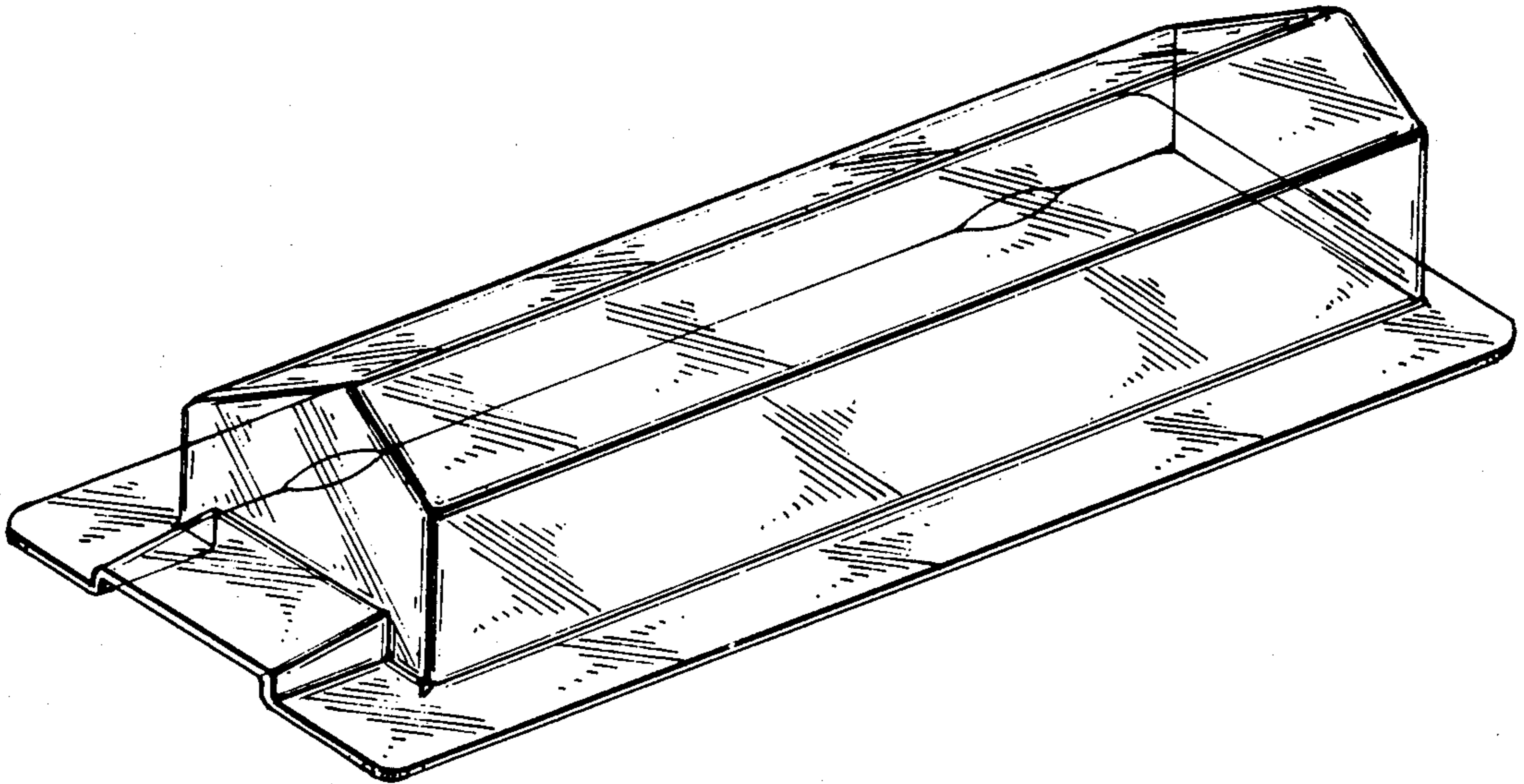


Fig. 1

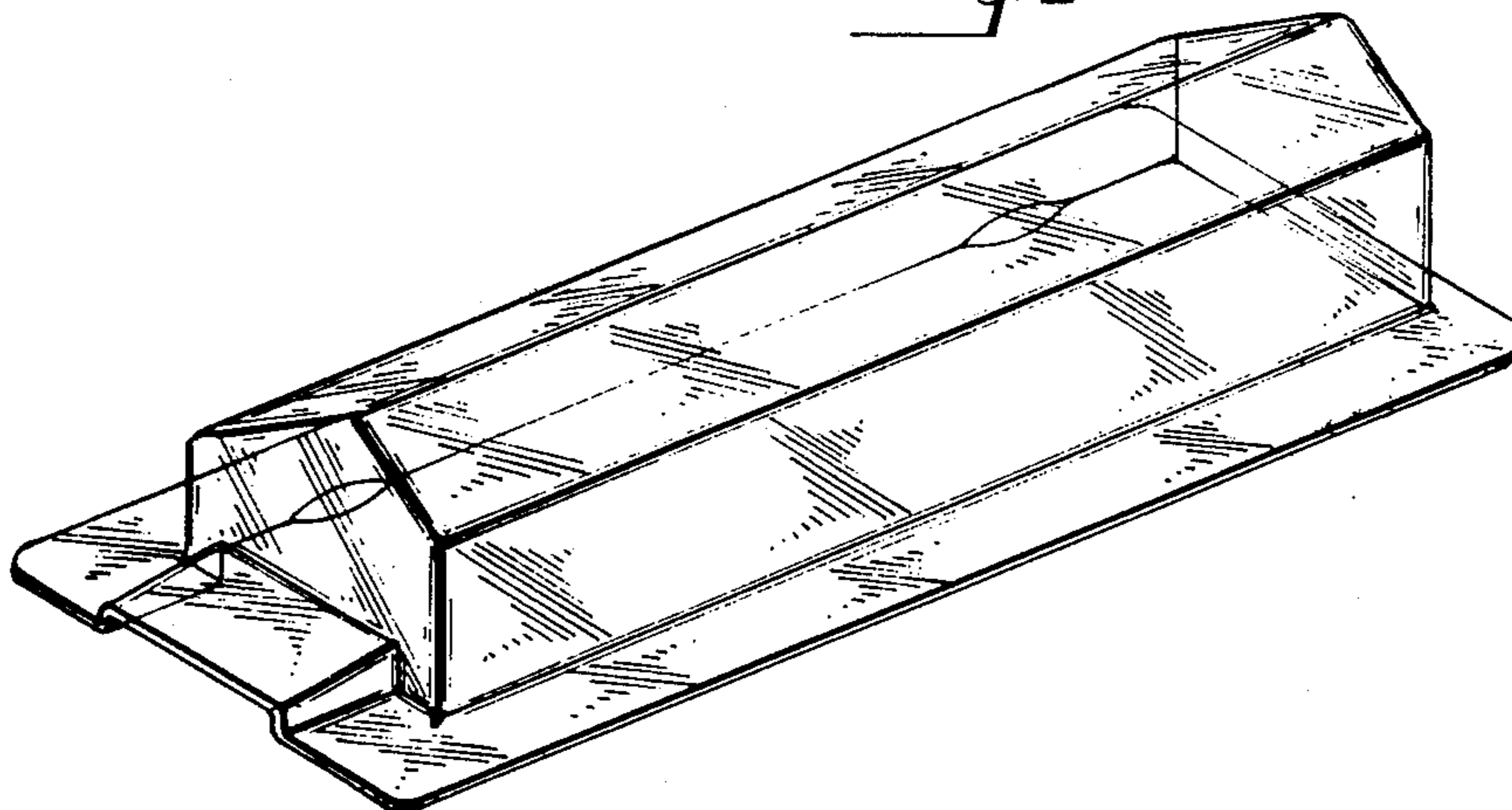


Fig. 2

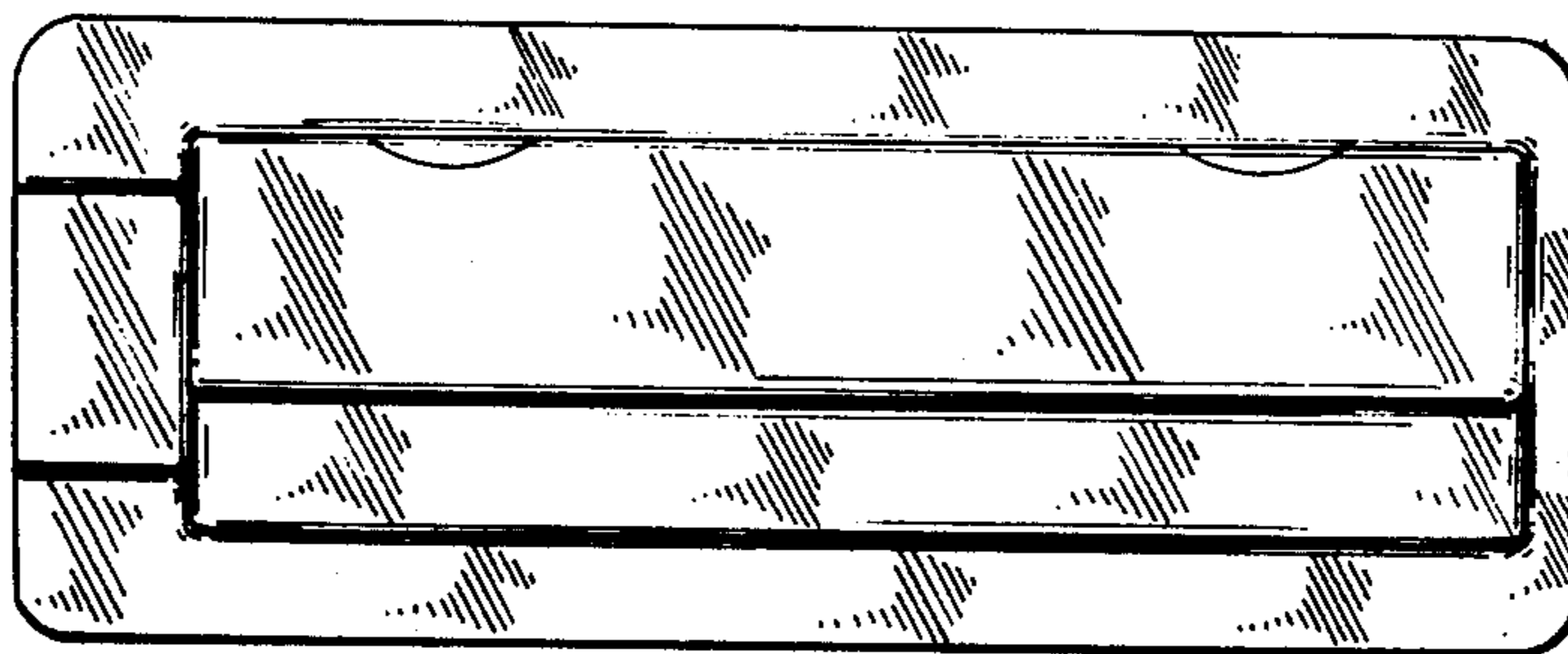


Fig. 3

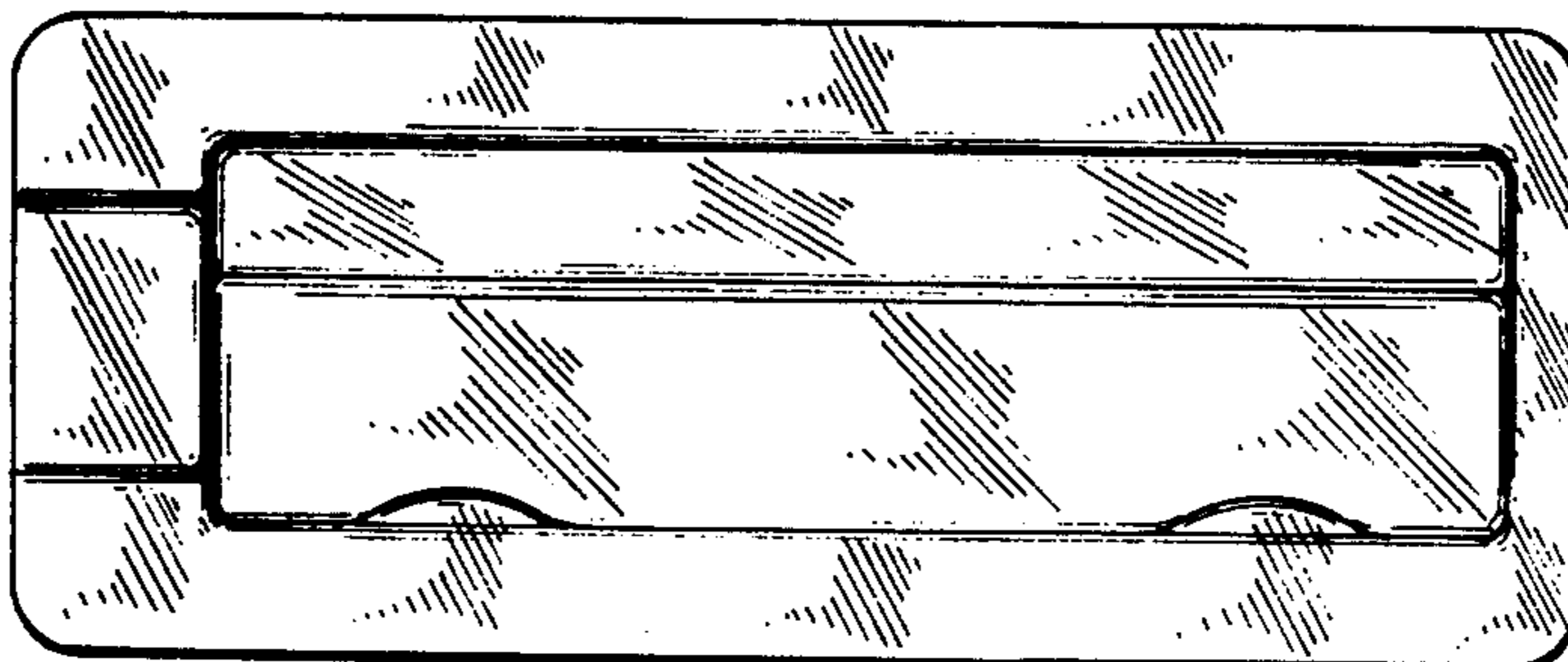


Fig. 4

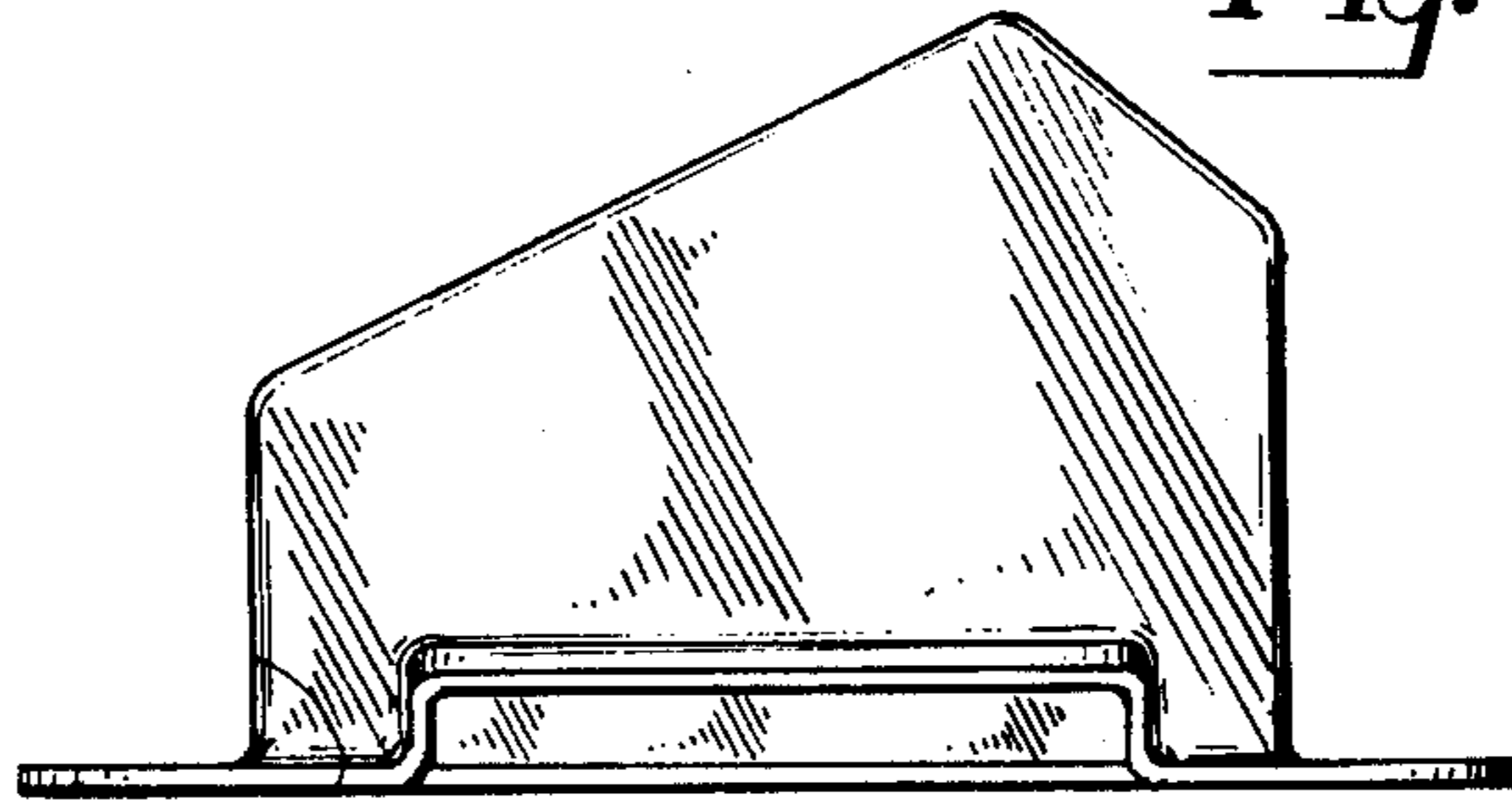


Fig. 5

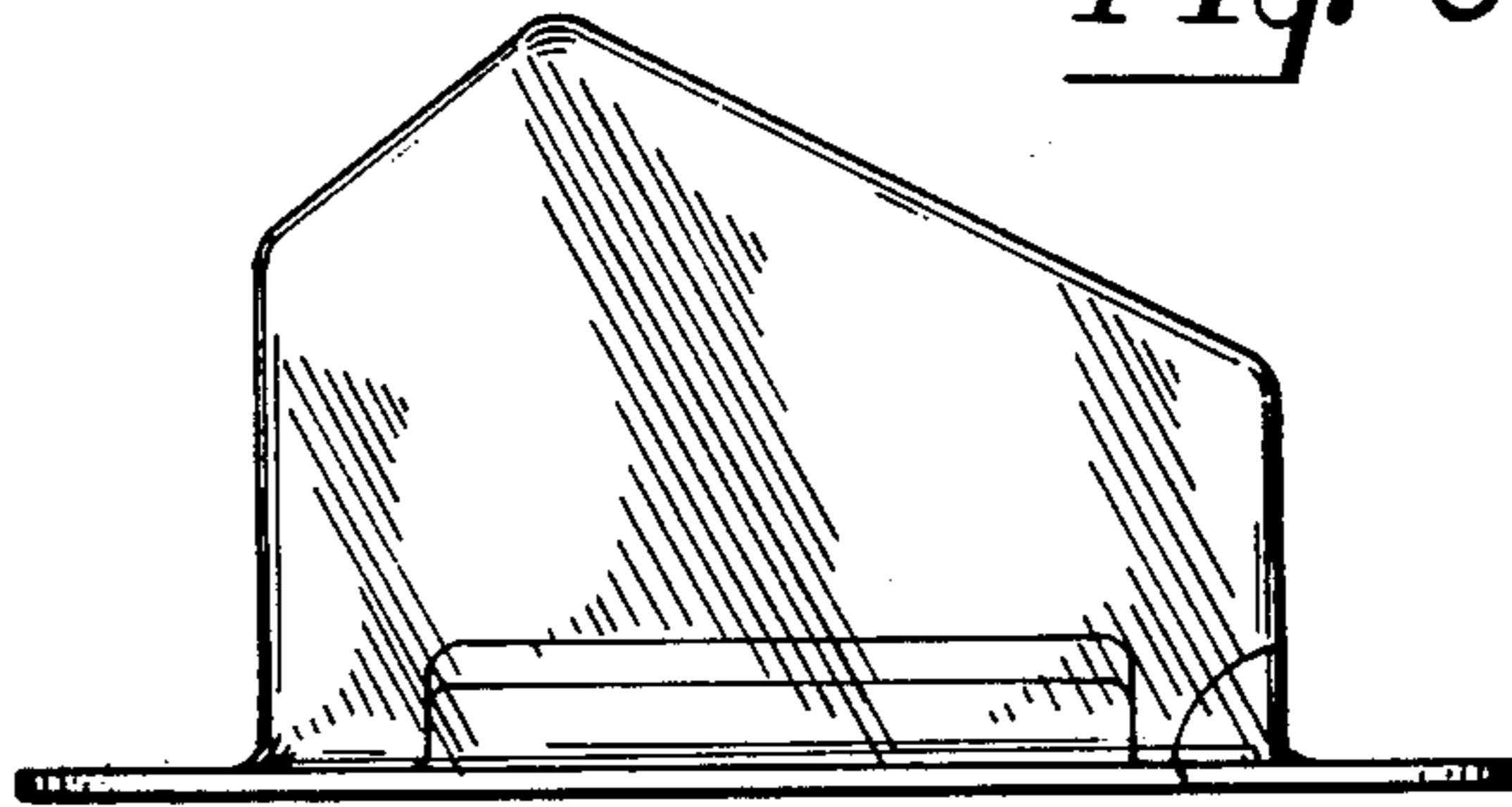


Fig. 6

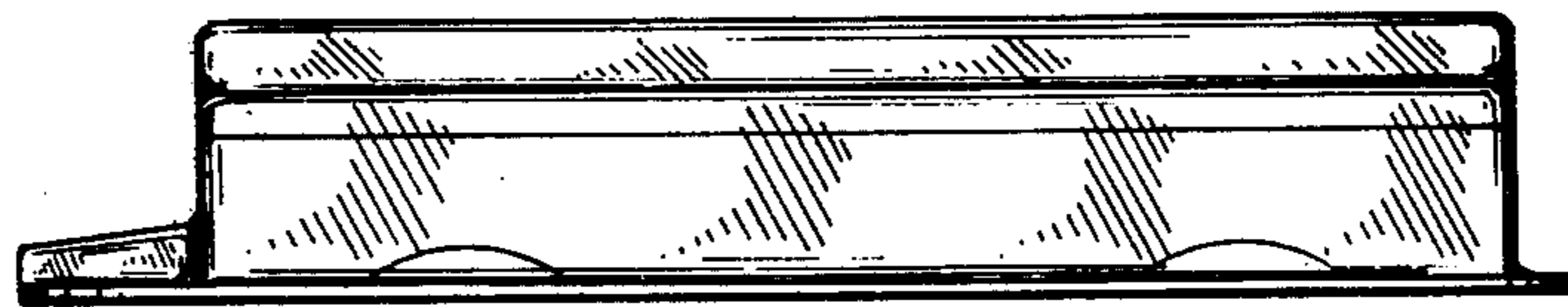


Fig. 7

