

[54] **PORTABLE COOKING STOVE**

[76] **Inventor:** Ming K. Chan, 58 Pau Chung St.,
Tokwawan, Kowloon, Hong Kong

[**] **Term:** 14 Years

[21] **Appl. No.:** 865,260

[22] **Filed:** Dec. 28, 1977

[30] **Foreign Application Priority Data**
Jun. 30, 1977 [GB] United Kingdom 980602/77

[51] **Int. Cl.** D7-04

[52] **U.S. Cl.** D7/110

[58] **Field of Search** D7/107, 108, 109, 110,
D7/136; 126/25 R, 25 A, 25 AA, 25 B, 25 C,
29, 30, 9 R, 9 A, 9 B, 37, 38, 214 R

[56] **References Cited**

U.S. PATENT DOCUMENTS

D. 227,850	7/1973	Benson	D7/110
D. 245,220	8/1977	Chan	D7/110
2,497,994	2/1950	Jones	126/38 X
3,294,079	12/1966	Thompson	126/38

3,713,432 1/1973 Finley 126/38

Primary Examiner—Wallace R. Burke
Assistant Examiner—Catherine Kemper
Attorney, Agent, or Firm—Martin Fleit

[57] **CLAIM**

The ornamental design for a portable cooking stove, substantially as shown and described.

DESCRIPTION

FIG. 1 is a perspective top view of a portable cooking stove showing my new design with the stove being in a closed position;

FIG. 2 is a bottom plan view thereof;

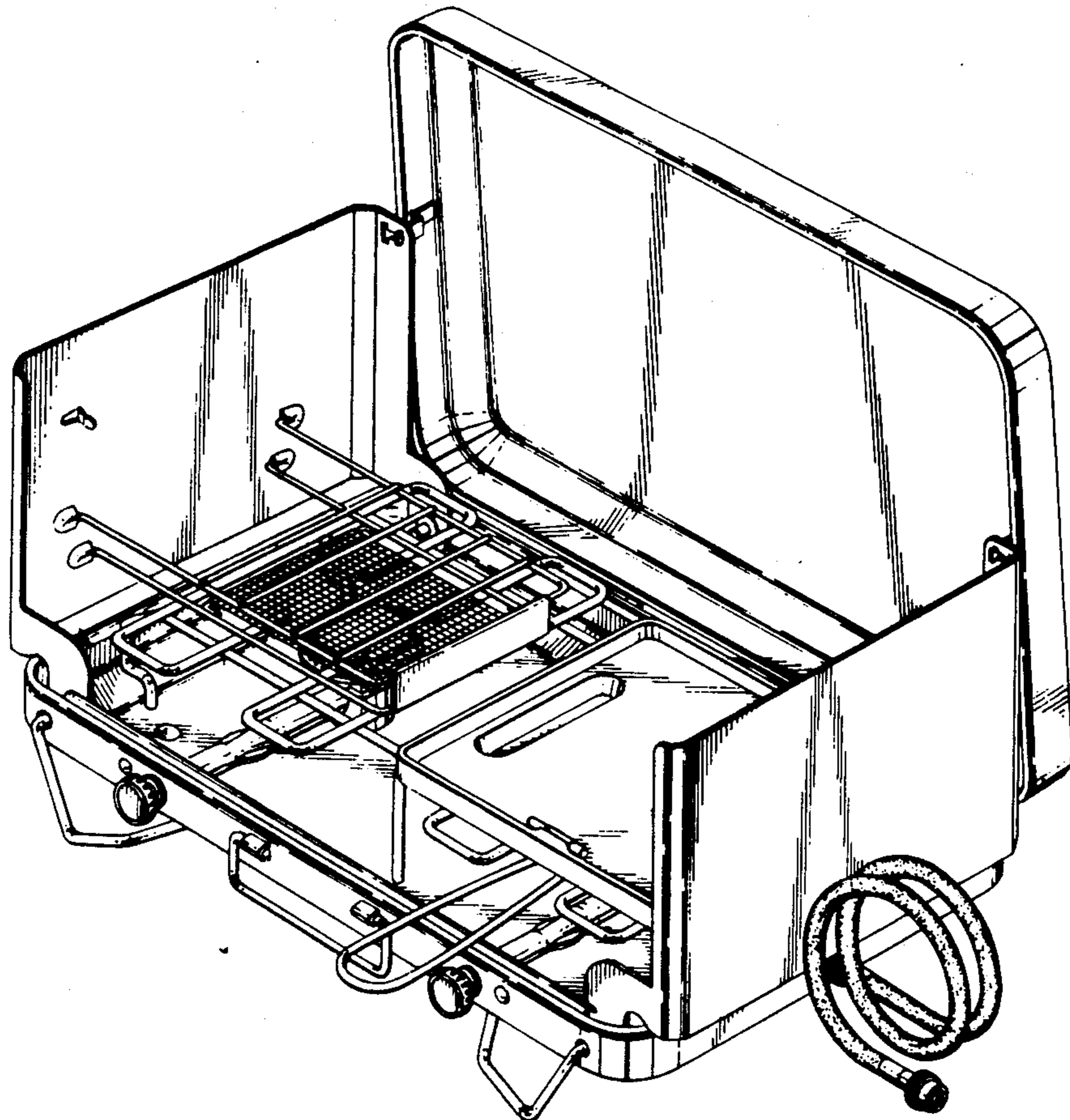
FIG. 3 is a front elevational view thereof in an open position;

FIG. 4 is a top plan view of the stove as shown in FIG. 3;

FIG. 5 is a side elevational view of the stove as shown in FIG. 3;

FIG. 6 is an opposite side elevational view of the stove as shown in FIG. 3;

FIG. 7 is a perspective top view showing the stove in an open position.



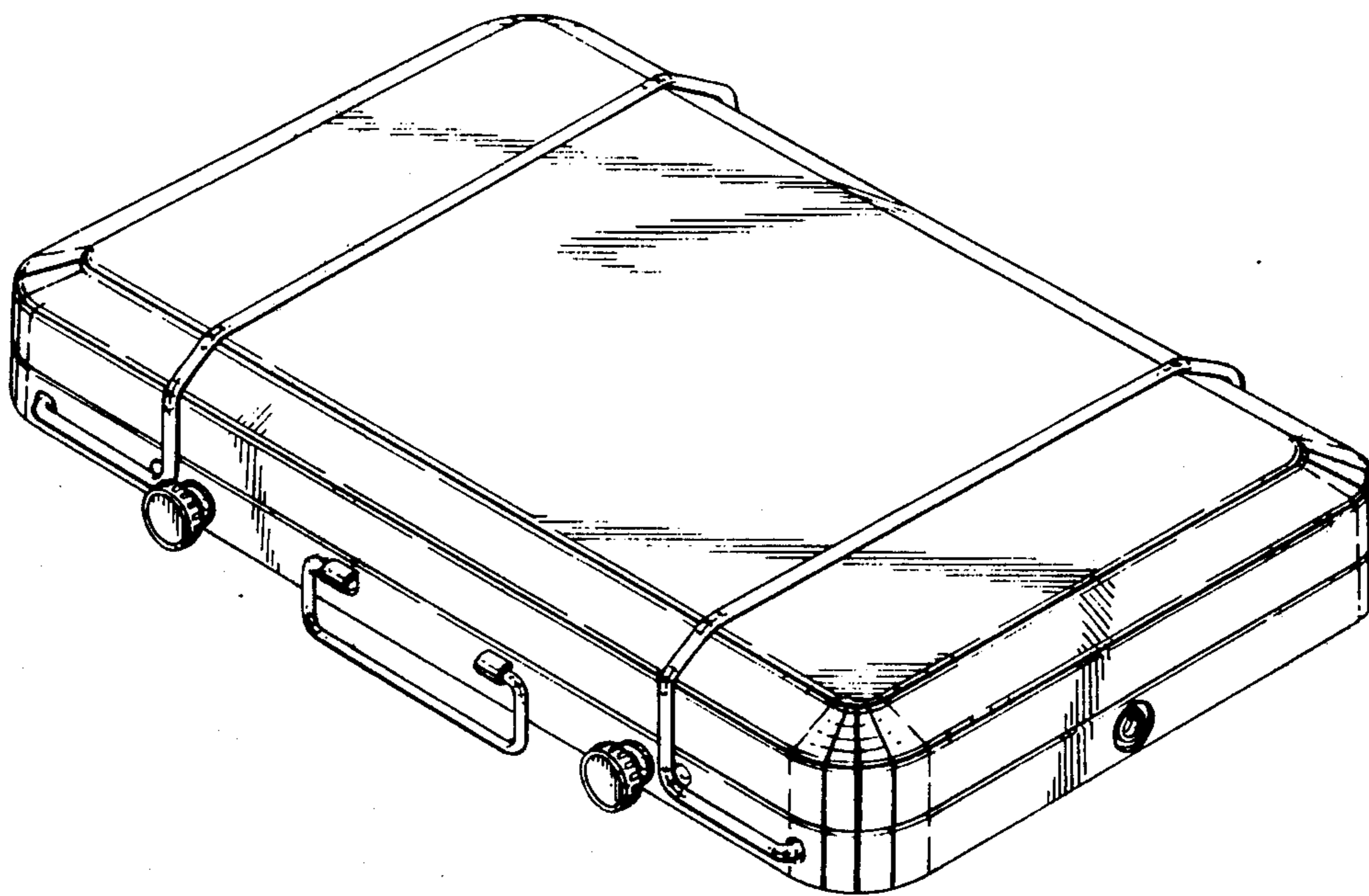


FIG. 1

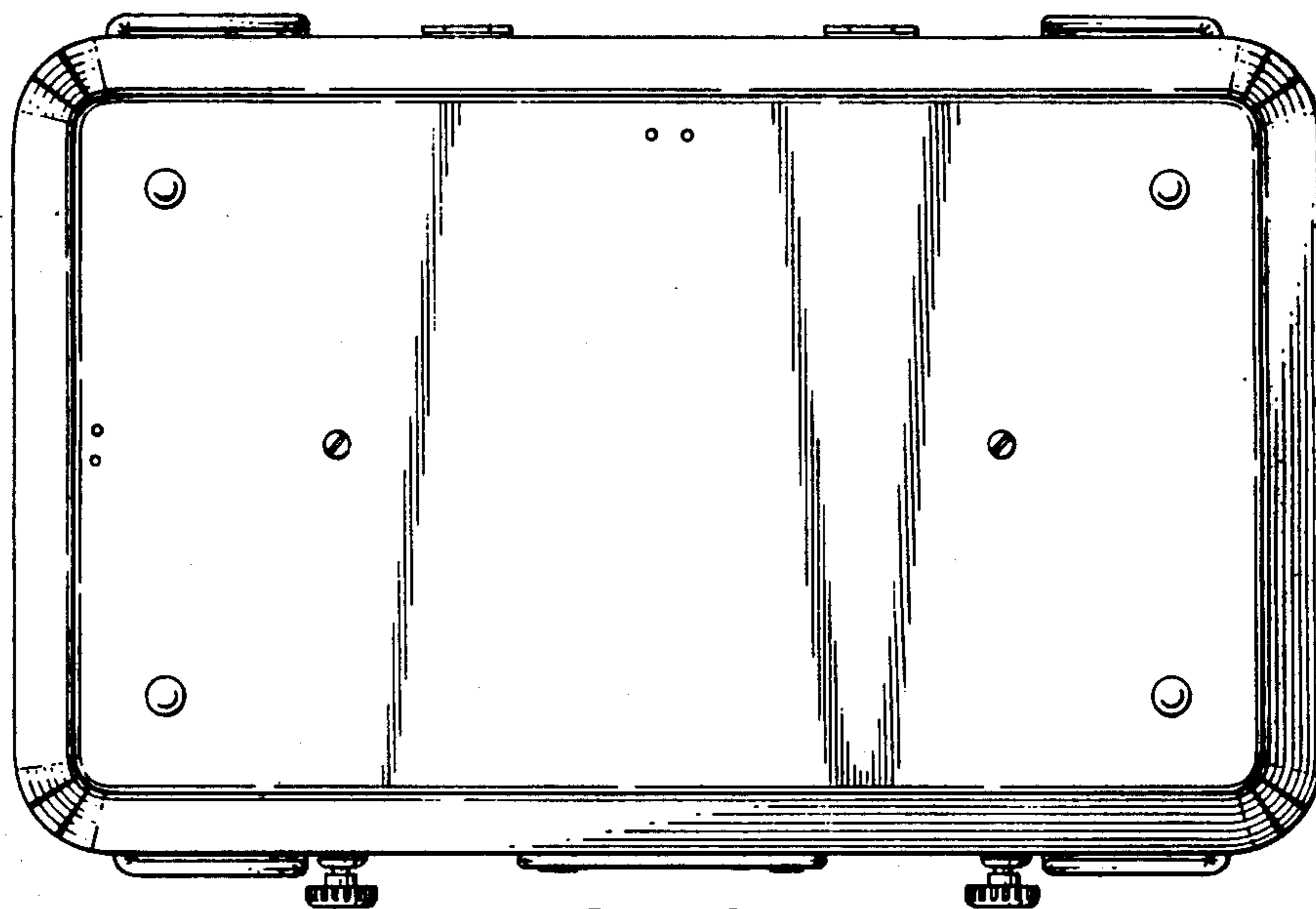


FIG. 2

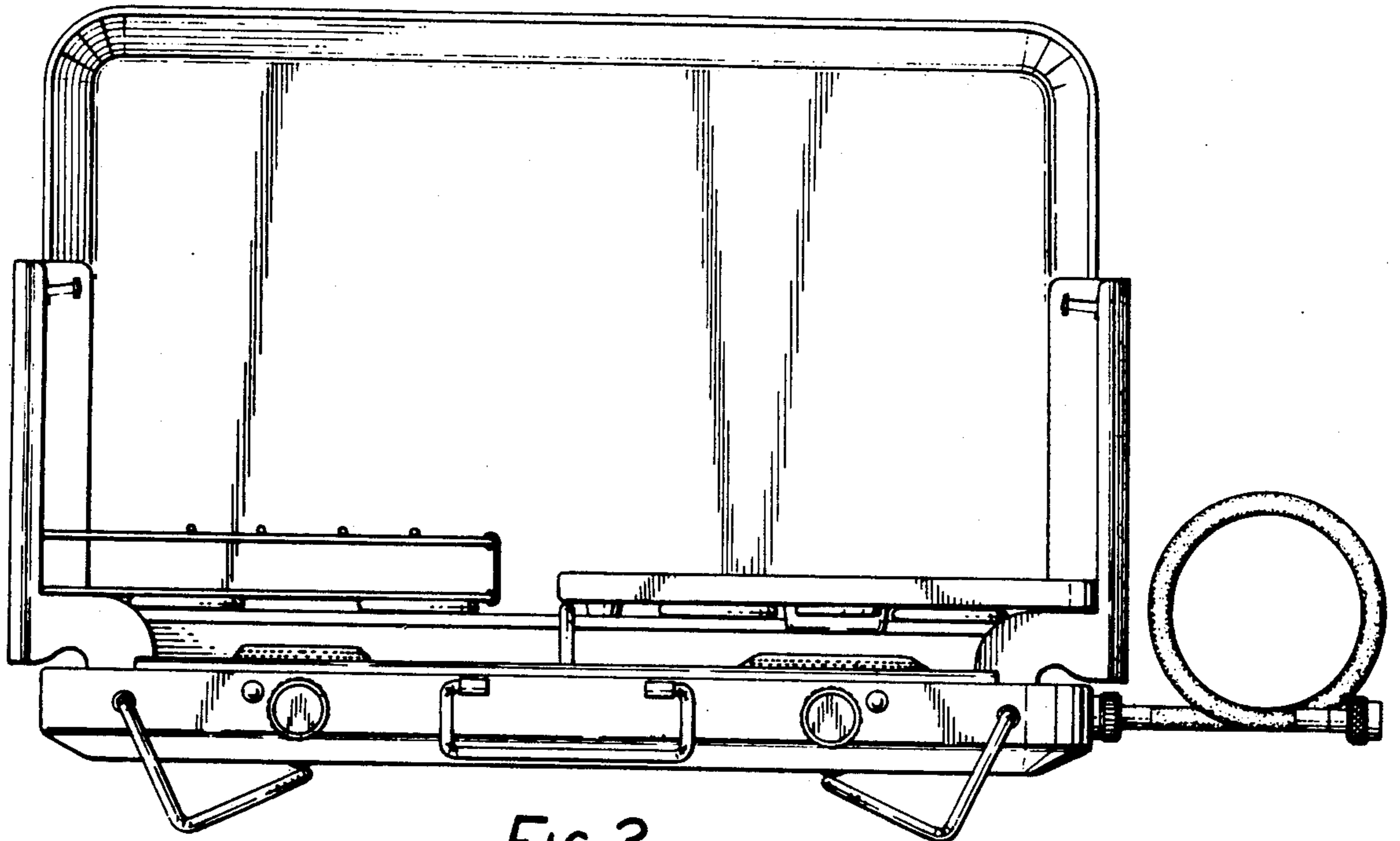


FIG. 3

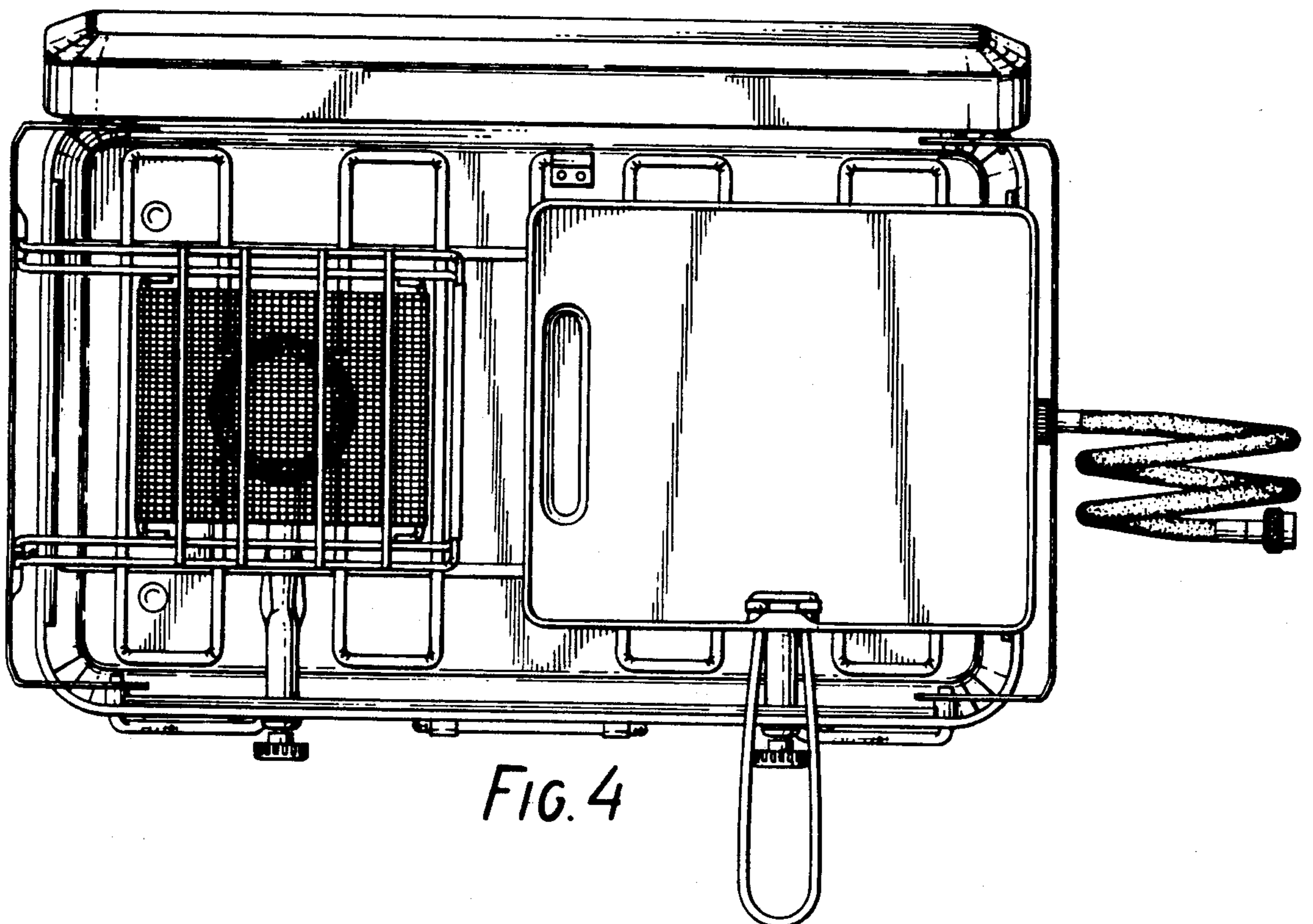


FIG. 4

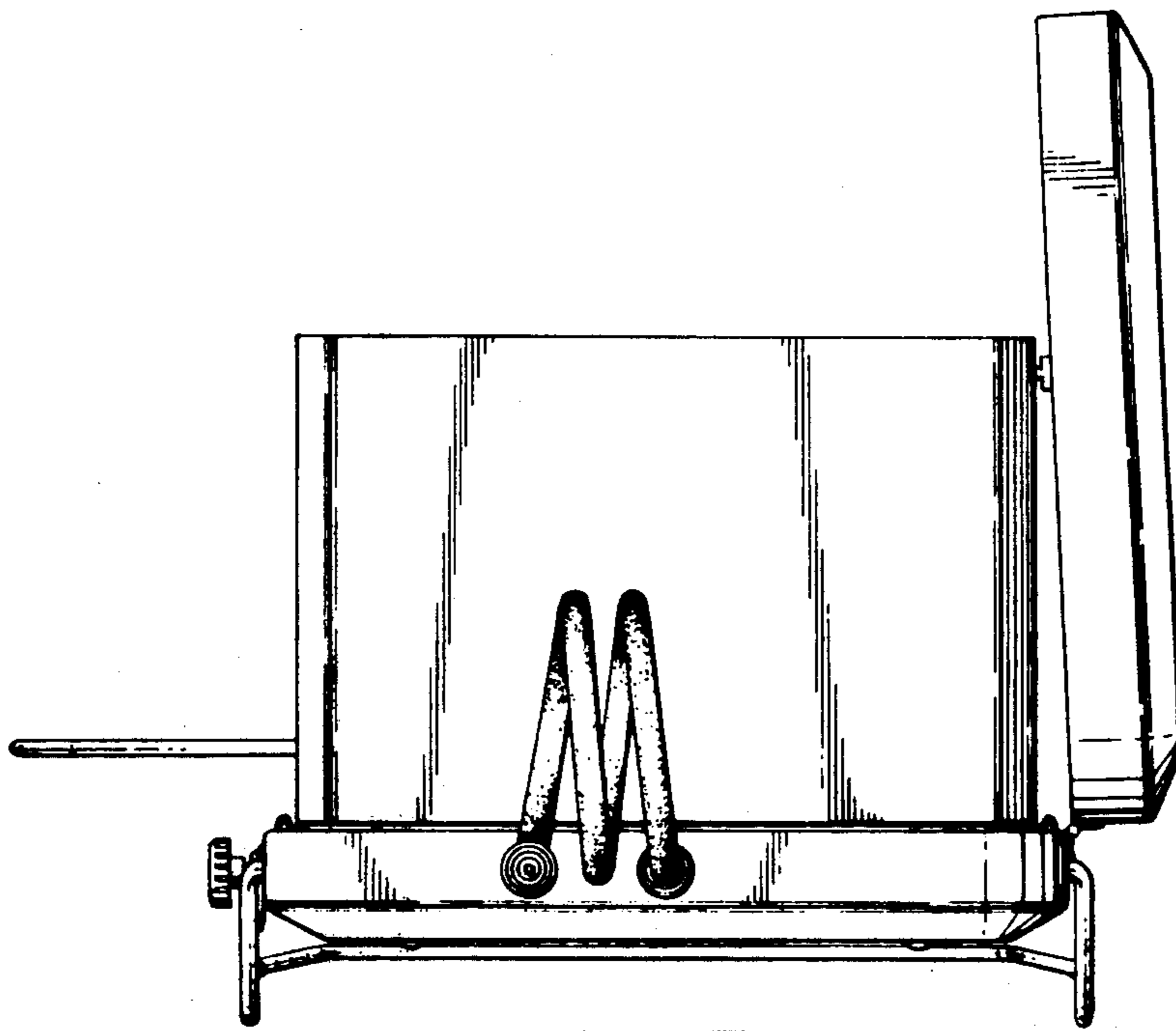


FIG. 5

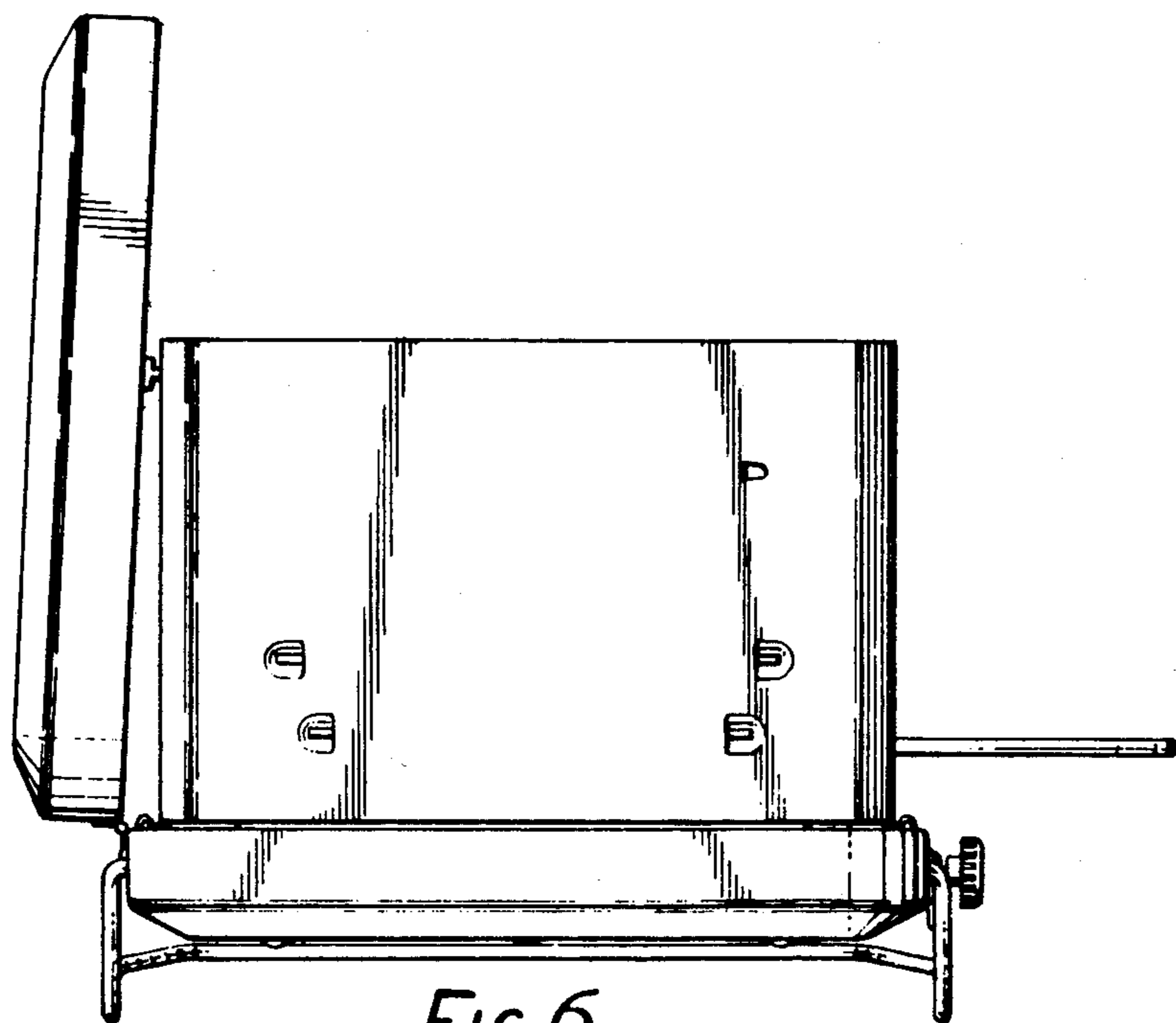


FIG. 6

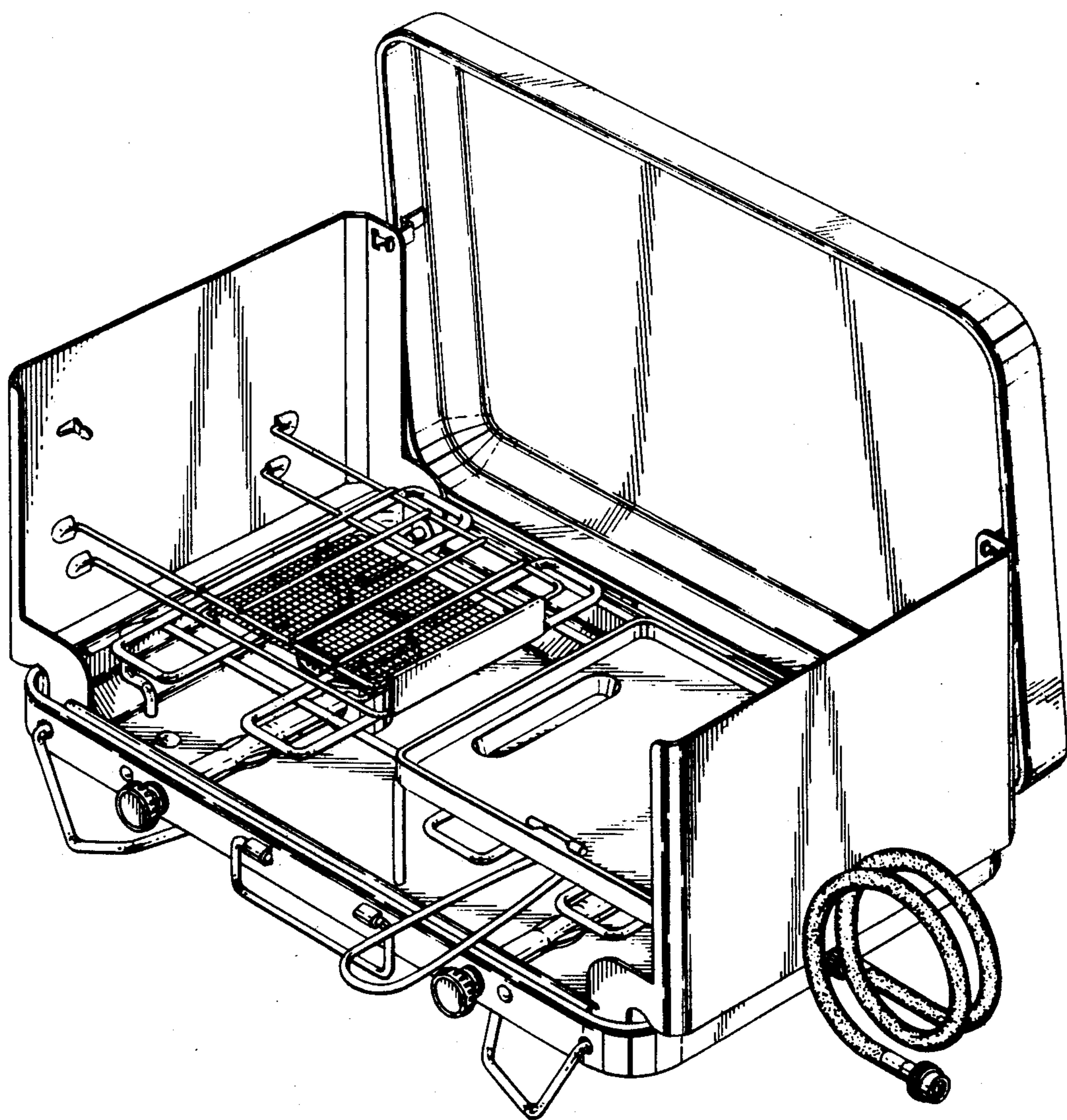


FIG. 7