

[54] ADJUSTABLE AUXILIARY SEAT OR SIMILAR ARTICLE

[76] Inventor: Charles L. Green, 13125 Roscoe Blvd., Sun Valley, Calif. 91352

[\*\*] Term: 14 Years

[21] Appl. No.: 812,469

[22] Filed: Jul. 1, 1977

[51] Int. Cl. .... D6-01

[52] U.S. Cl. .... D6/17; D6/26; D6/32; D6/36; D6/47; D6/197

[58] Field of Search ..... D6/17, 26, 32, 36, 47, D6/197, 42, 44

[56] References Cited

U.S. PATENT DOCUMENTS

- D. 150,679 8/1948 Cunningham ..... D6/42
- D. 154,203 6/1949 Johnson et al. .... D6/32

- D. 214,667 7/1969 Robson, Jr. .... D6/17
- D. 239,482 4/1976 Sparrow et al. .... D6/47 X

OTHER PUBLICATIONS

Design Catalog, Nov. 1975, p. 47, Seat upper right.

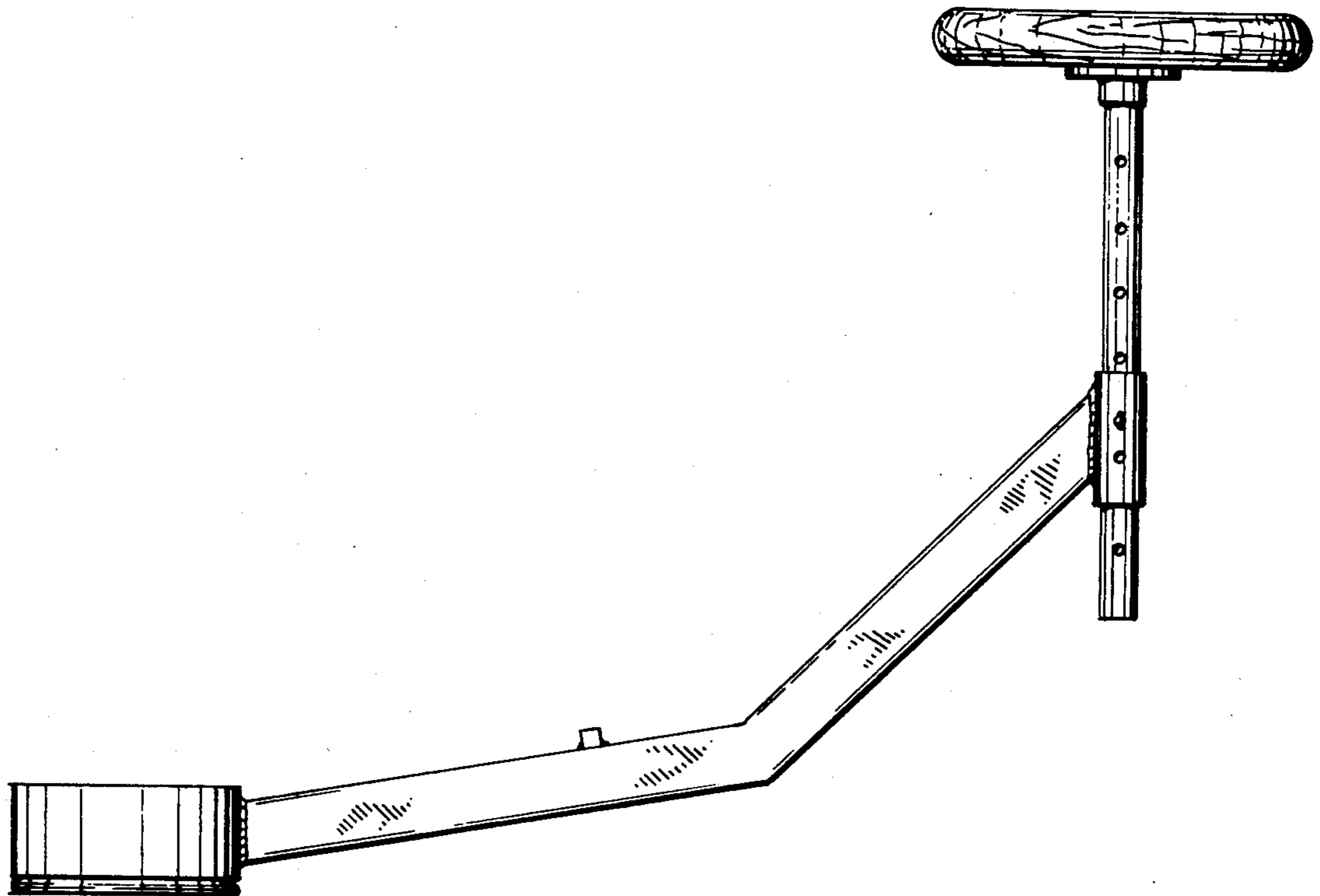
Primary Examiner—Bruce W. Dunkins  
Attorney, Agent, or Firm—Harvey C. Nienow

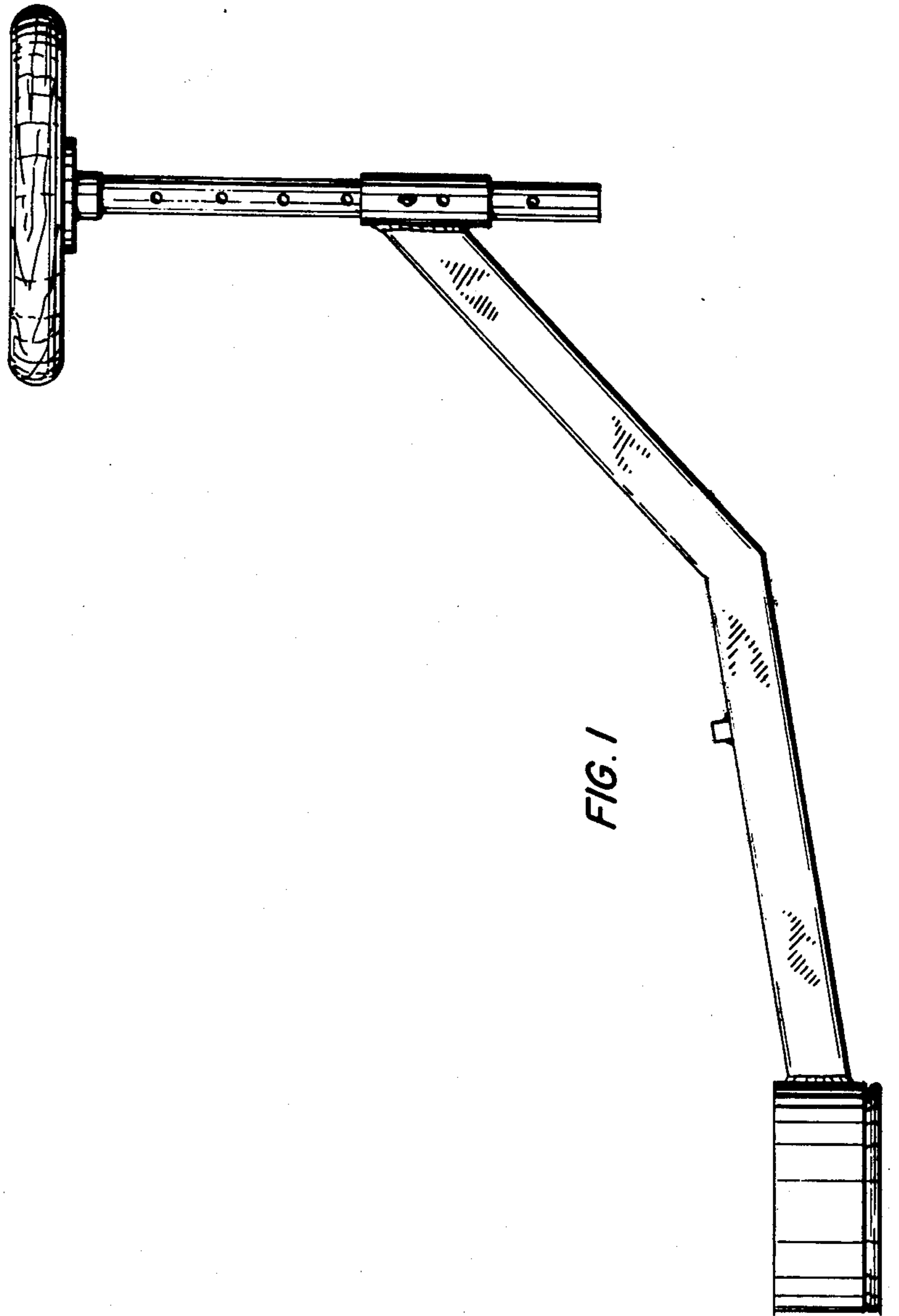
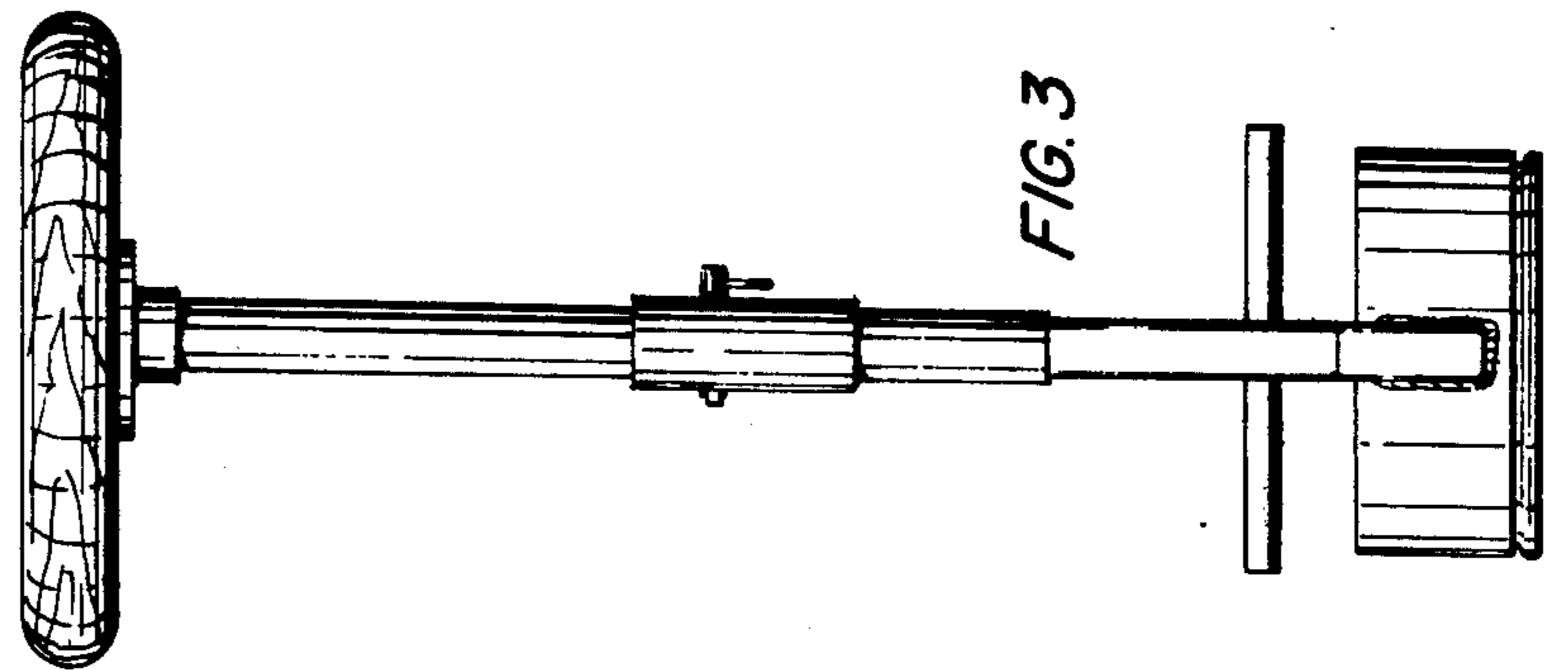
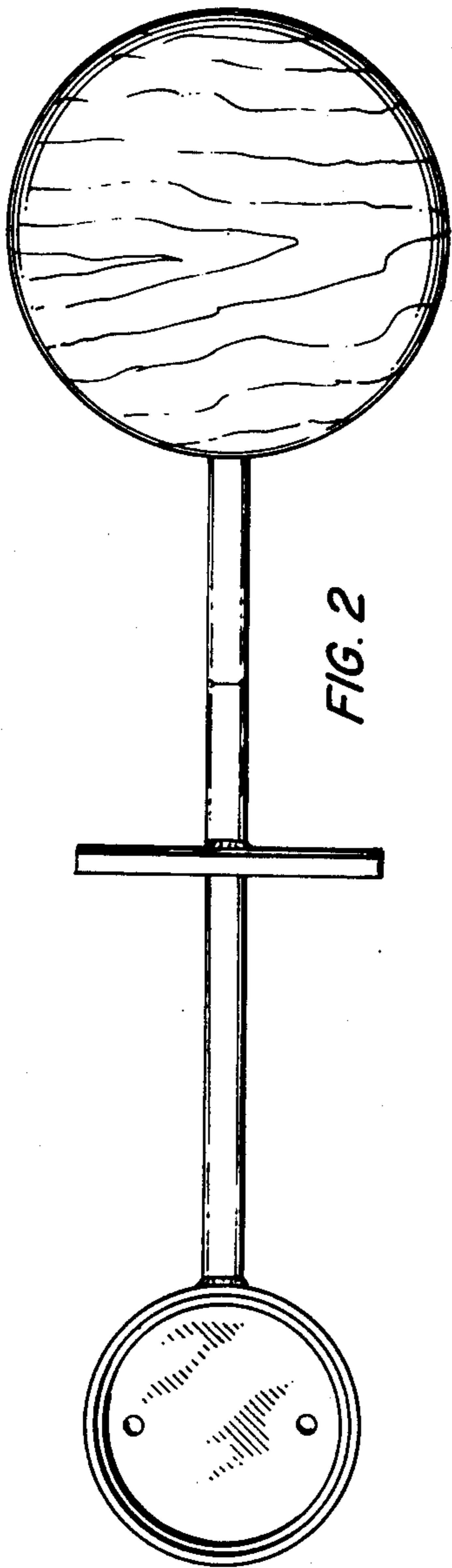
[57] CLAIM

The ornamental design for an adjustable auxiliary seat or similar article, as shown.

DESCRIPTION

FIG. 1 is a side view of my adjustable auxiliary seat or similar article;  
 FIG. 2 is a top plan view thereof;  
 FIG. 3 is a rear view thereof;  
 FIG. 4 is a view of the other side thereof;  
 FIG. 5 is a front view thereof; and  
 FIG. 6 is a bottom view thereof.





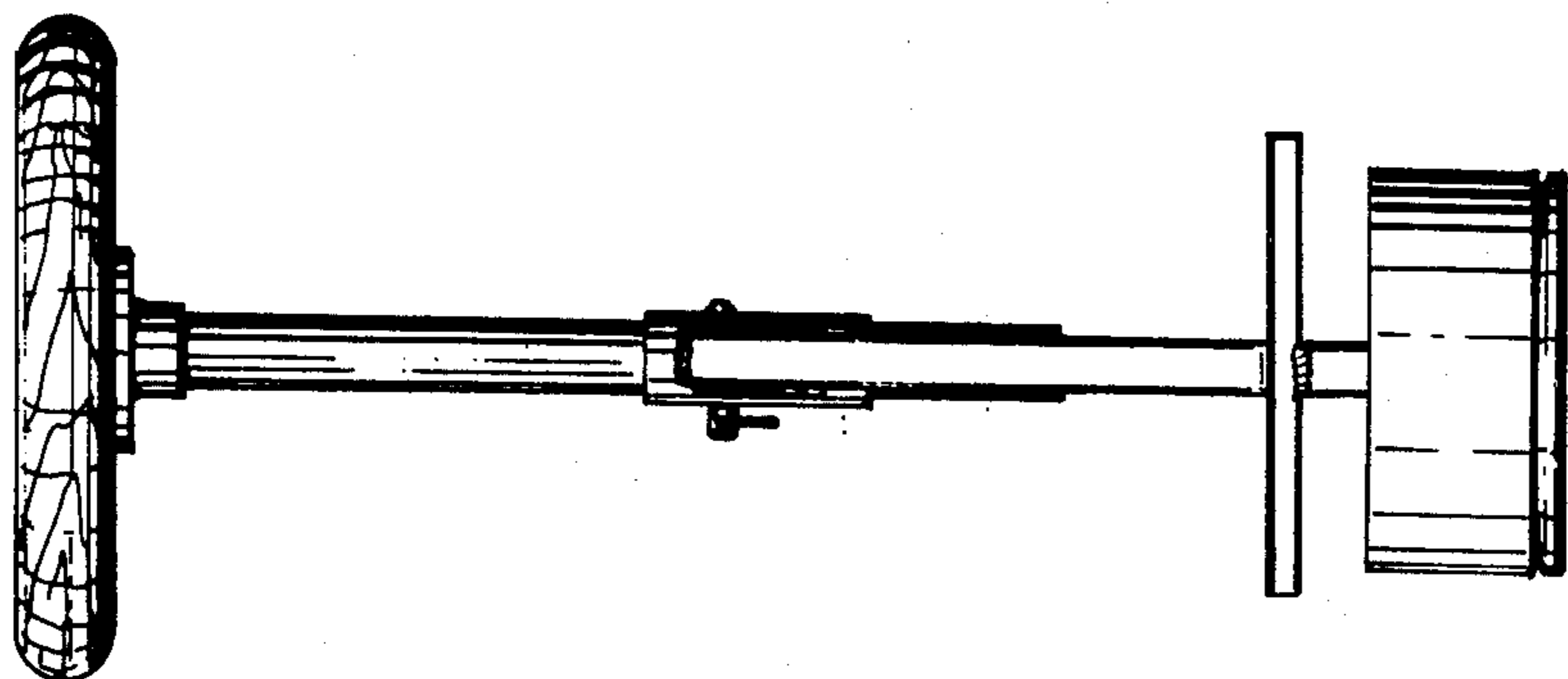


FIG. 5

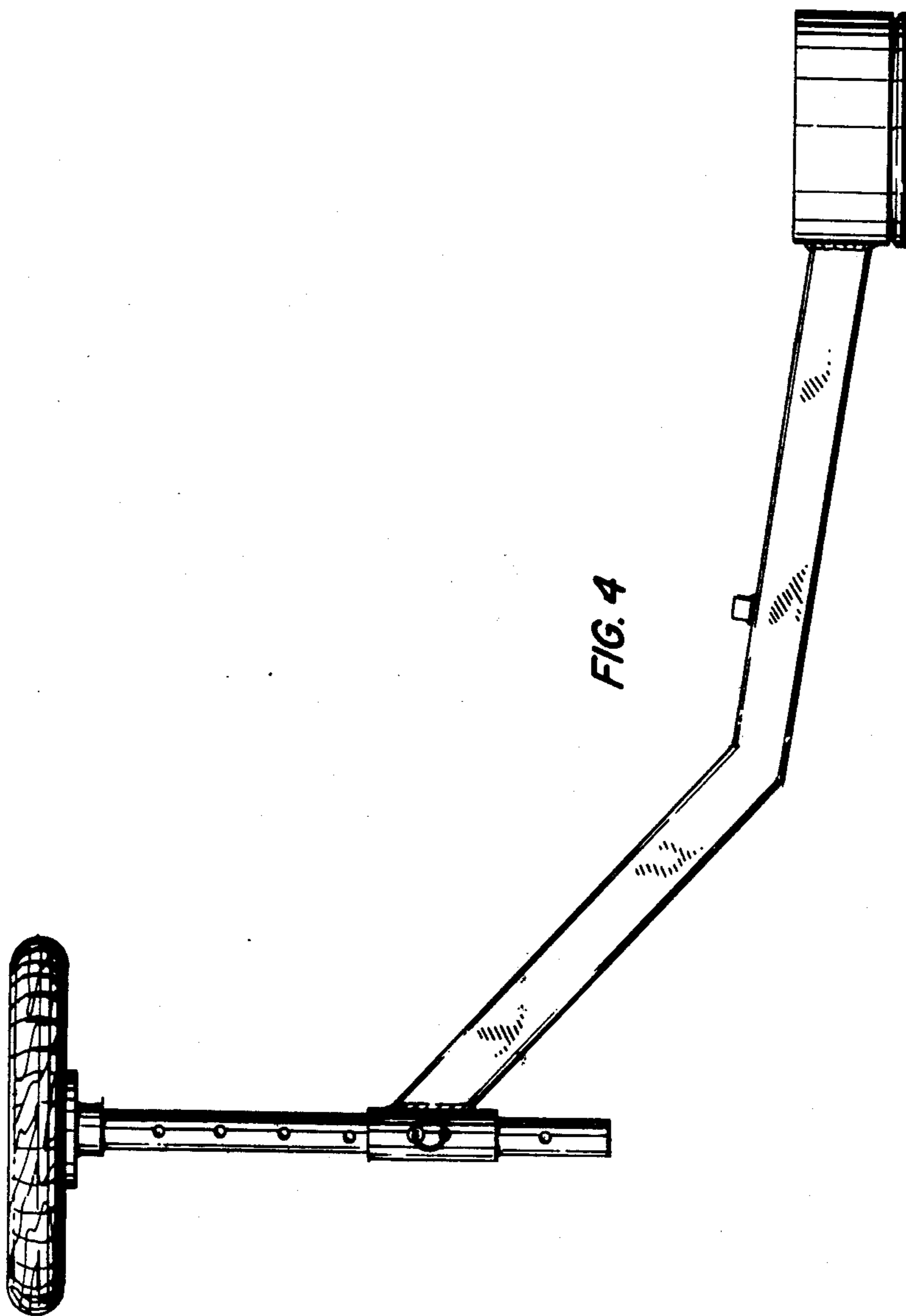


FIG. 4

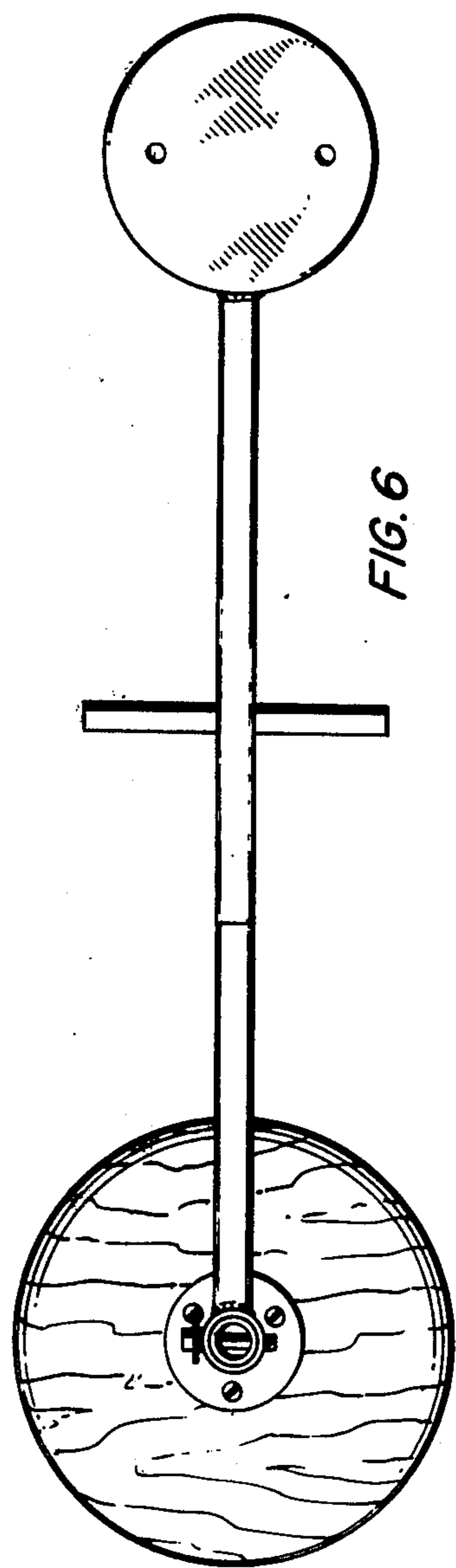


FIG. 6