

[54] LAMP TABLE

[75] Inventor: Horace A. Hade, Grabill, Ind.

[73] Assignee: Mark A. Hade

[**] Term: 14 Years

[21] Appl. No.: 661,943

[22] Filed: Feb. 27, 1976

[51] Int. Cl. D6-03

[52] U.S. Cl. D6/4; D6/177

[58] Field of Search D6/1, 4, 64, 175, 177, D6/178, 179

[56] References Cited

U.S. PATENT DOCUMENTS

- D. 222,051 9/1971 Shannon D6/60
- D. 222,453 10/1971 Ziss et al. D6/70

OTHER PUBLICATIONS

"Lane Occasional Tables", Cocktail Table No. 1203-09.
"Lane Occasional Tables", Cocktail Table No. 1453-01.

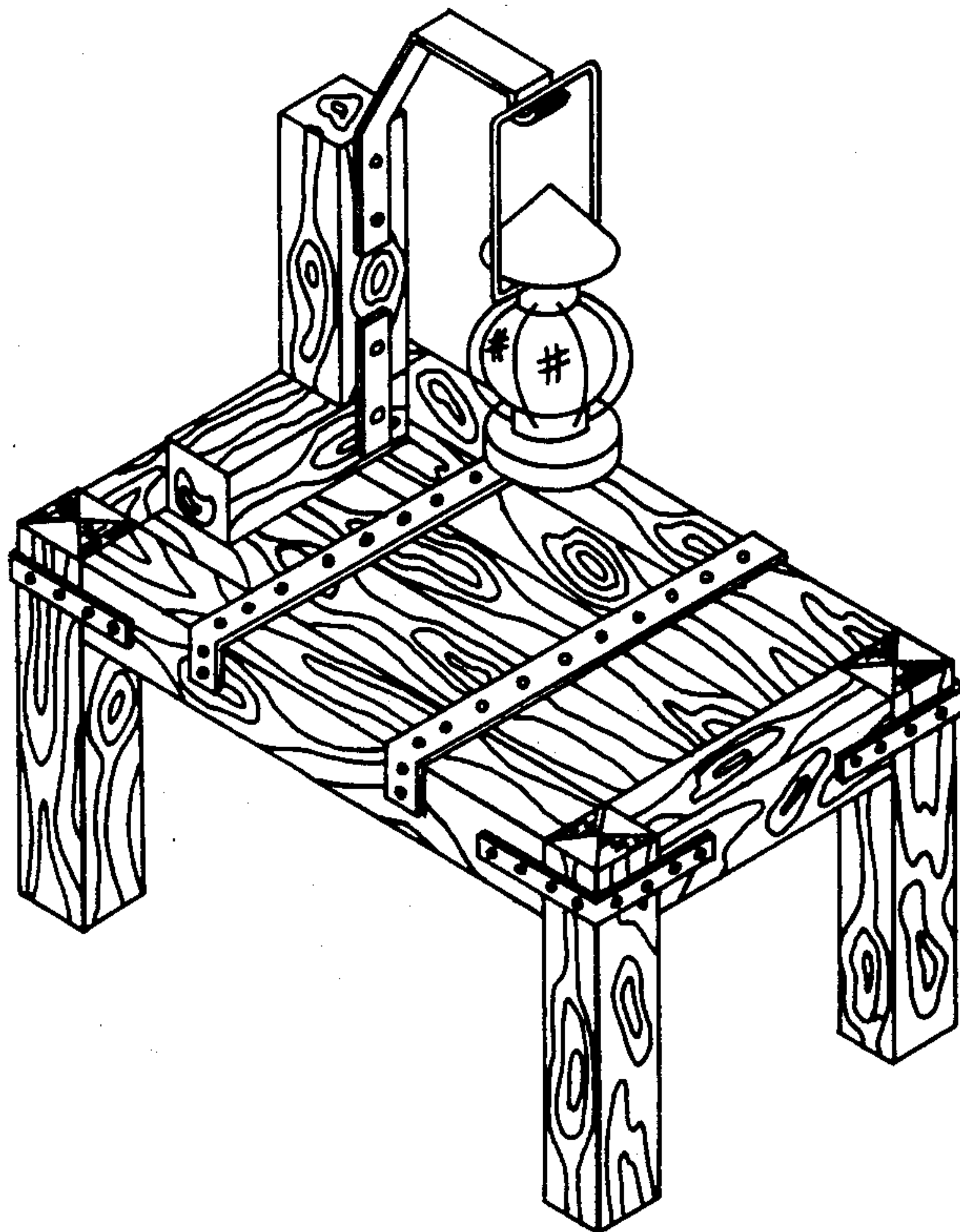
Primary Examiner—Bruce W. Dunkins
Attorney, Agent, or Firm—David A. Lundy

[57] CLAIM

The ornamental design for a lamp table, as shown and described.

DESCRIPTION

FIG. 1 is a perspective view of a lamp table showing my design; and
FIG. 2 is an exploded view thereof but taken from the end opposite that shown in FIG. 1.
The side of the table not shown is the same in appearance as the side shown.



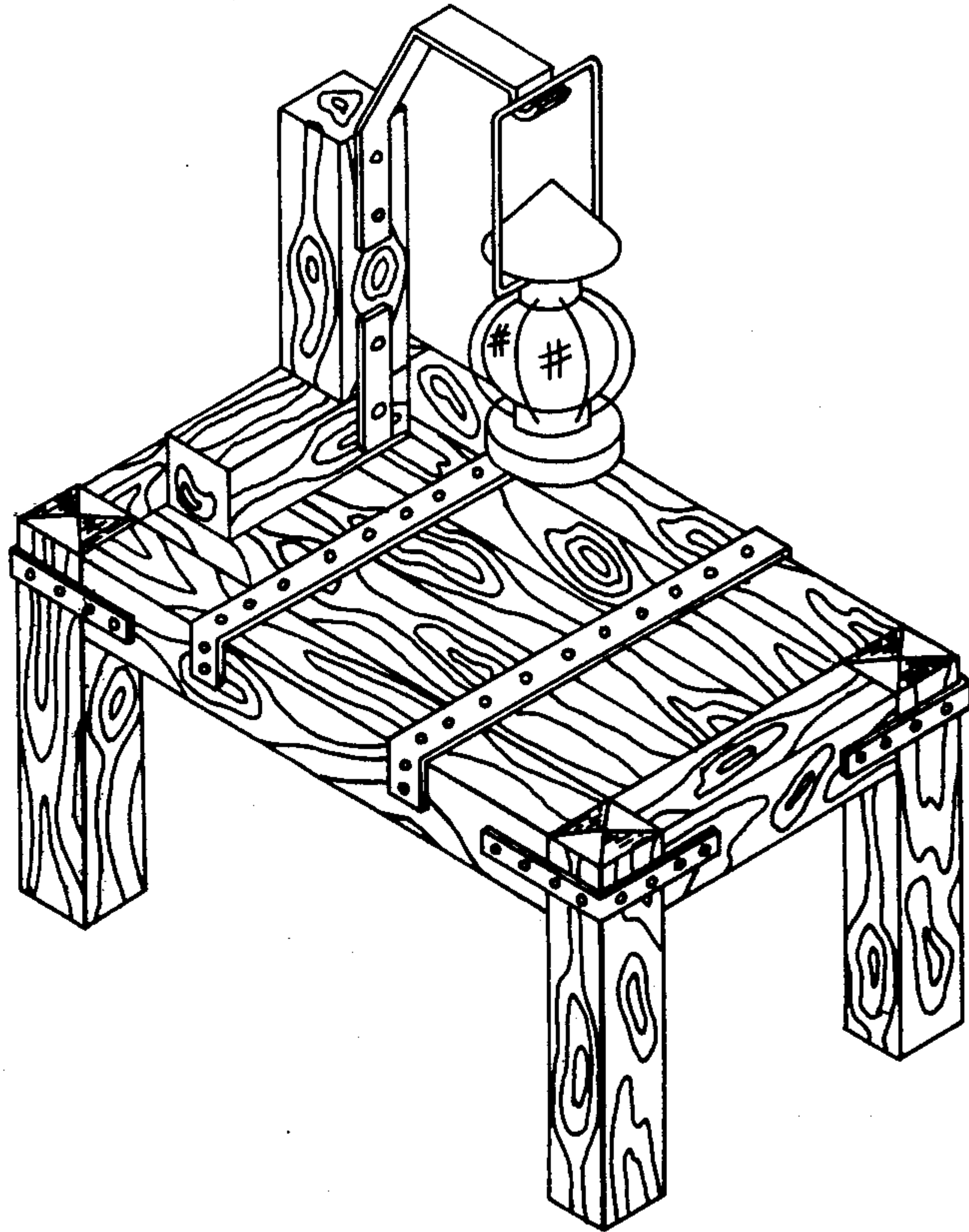


Fig. 1

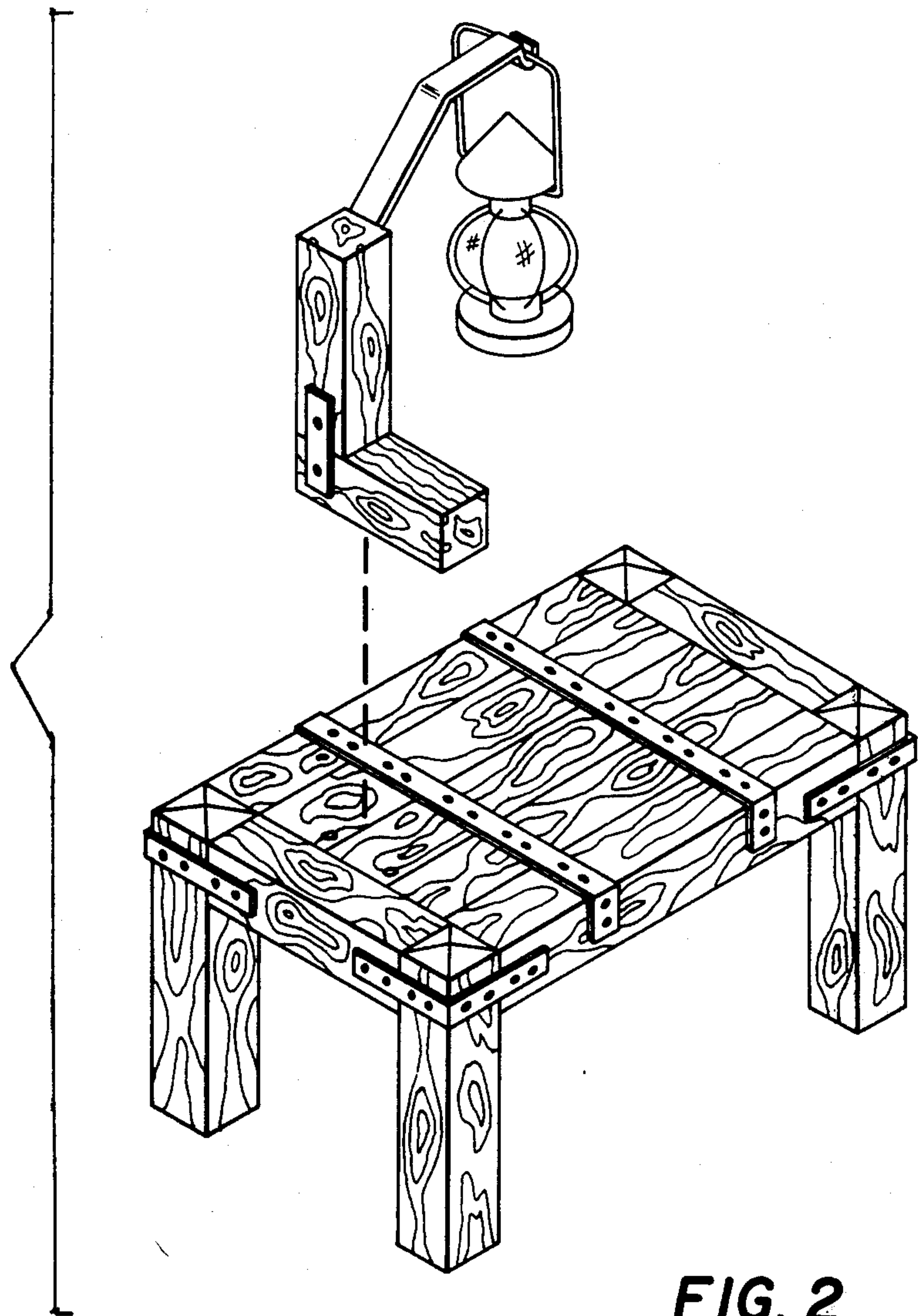


FIG. 2