

[54] PORTABLE SIGN

[76] Inventor: Hermann Silbernagel, Uhlandstrasse 7, 6800 Mannheim 1, Fed. Rep. of Germany

[\*\*] Term: 14 Years

[21] Appl. No.: 851,715

[22] Filed: Nov. 15, 1977

[51] Int. Cl. .... D20-03

[52] U.S. Cl. .... D20/41

[58] Field of Search ..... D96/12 R, 12 A; 40/541, 40/584, 606, 607, 611, 612, 618, 624

[56] References Cited

U.S. PATENT DOCUMENTS

1,598,438	8/1926	Hallowell .....	40/606
2,559,106	7/1951	Bishop et al. ....	40/606
2,841,902	7/1958	Pfundt .....	40/606 X
3,662,482	5/1972	Sarkisian .....	40/606 X

Primary Examiner—Wallace R. Burke  
Assistant Examiner—Catherine Kemper  
Attorney, Agent, or Firm—James D. Halsey, Jr.

[57] CLAIM

The ornamental design for a portable sign, as shown and described.

DESCRIPTION

FIG. 1 is a perspective view of a portable sign showing my new design;  
FIG. 2 is a top plan view thereof;  
FIG. 3 is a bottom plan view thereof;  
FIG. 4 is a rear elevational view thereof;  
FIG. 5 is a left side elevational view thereof, the right side elevational view being a mirror image thereof;  
FIG. 6 is a front elevational view thereof; and  
FIG. 7 is a perspective view of a second embodiment thereof, wherein the only difference resides in the specific appearance of the central column's lower sign panel support member.

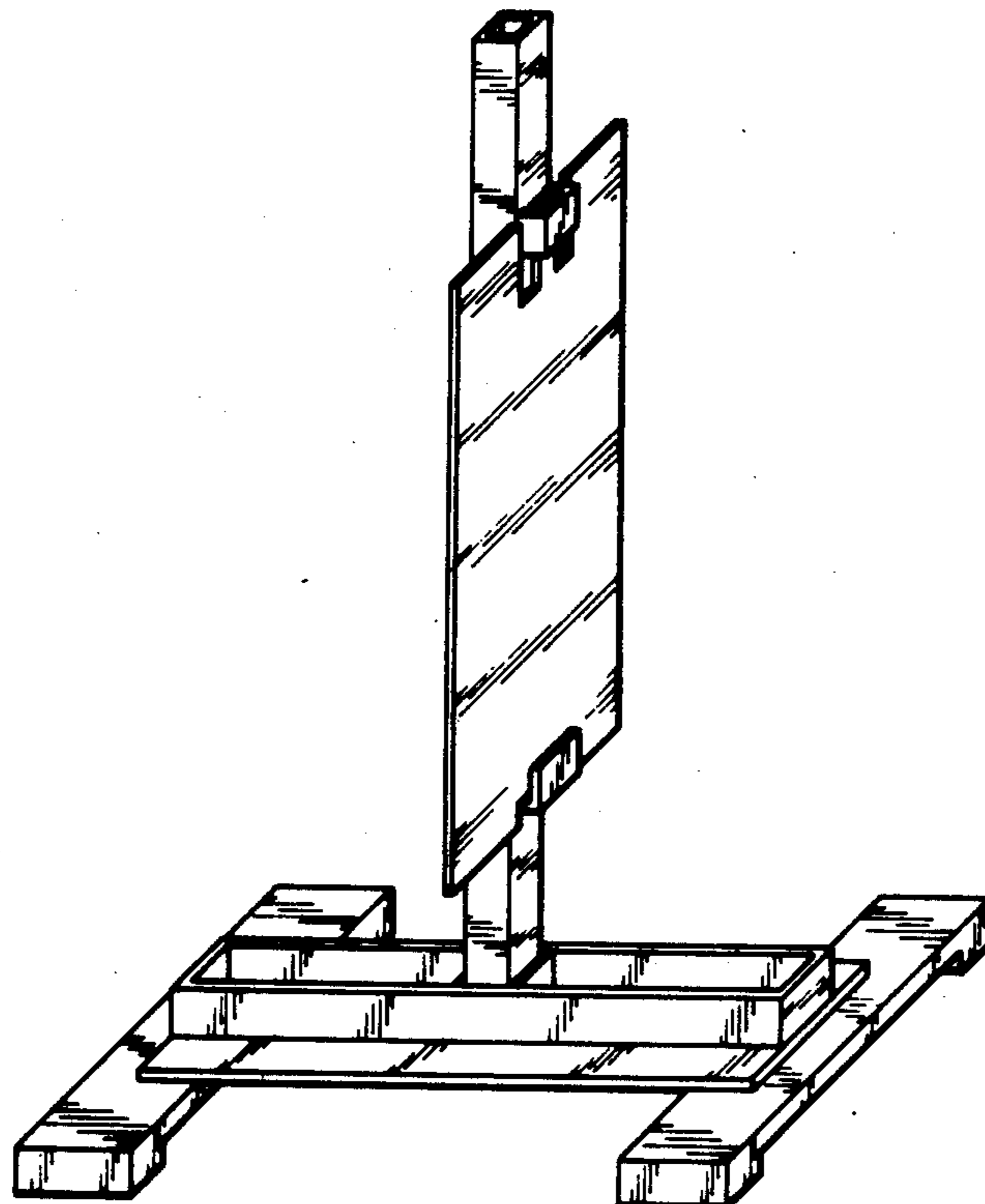


FIG. 1

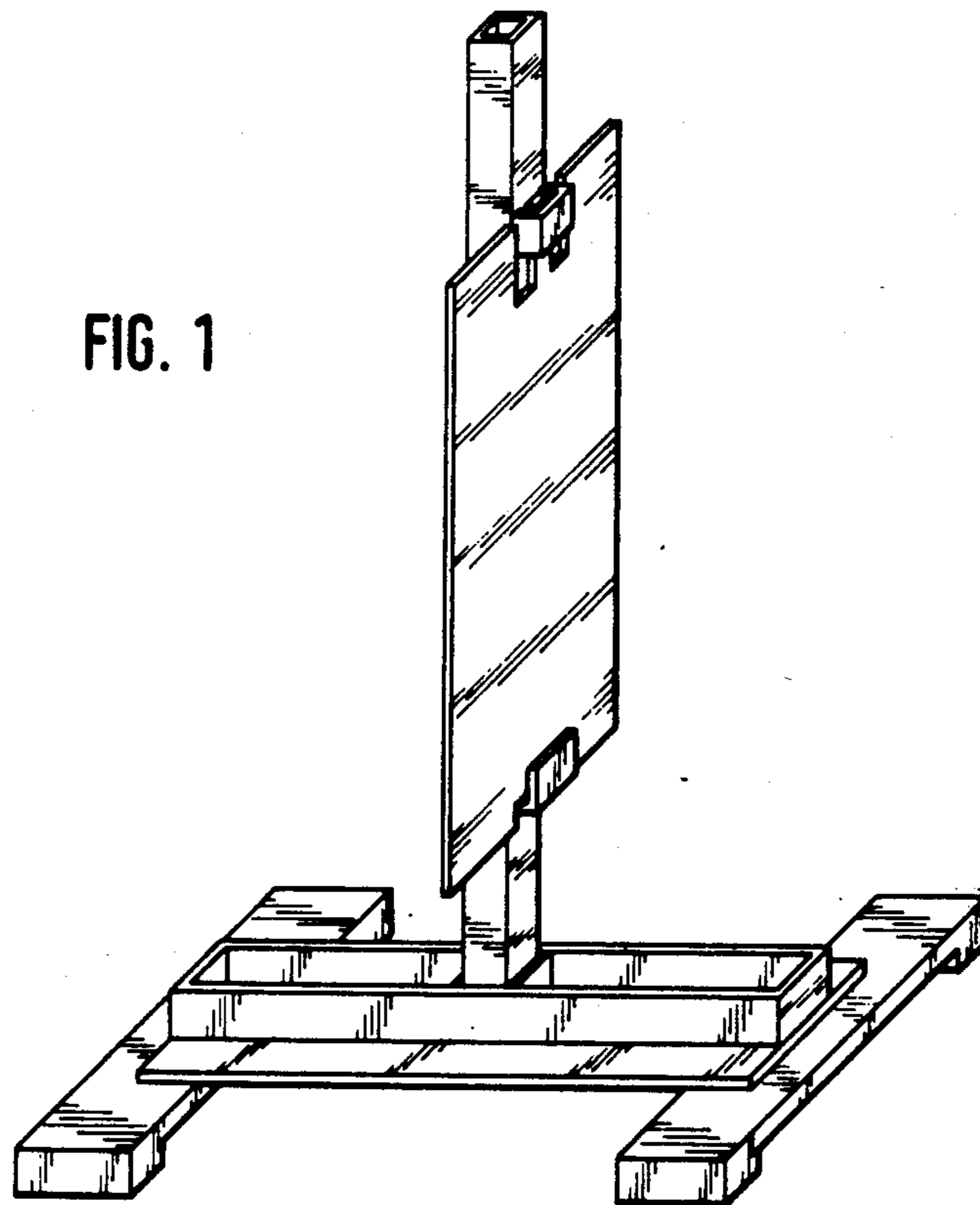


FIG. 2

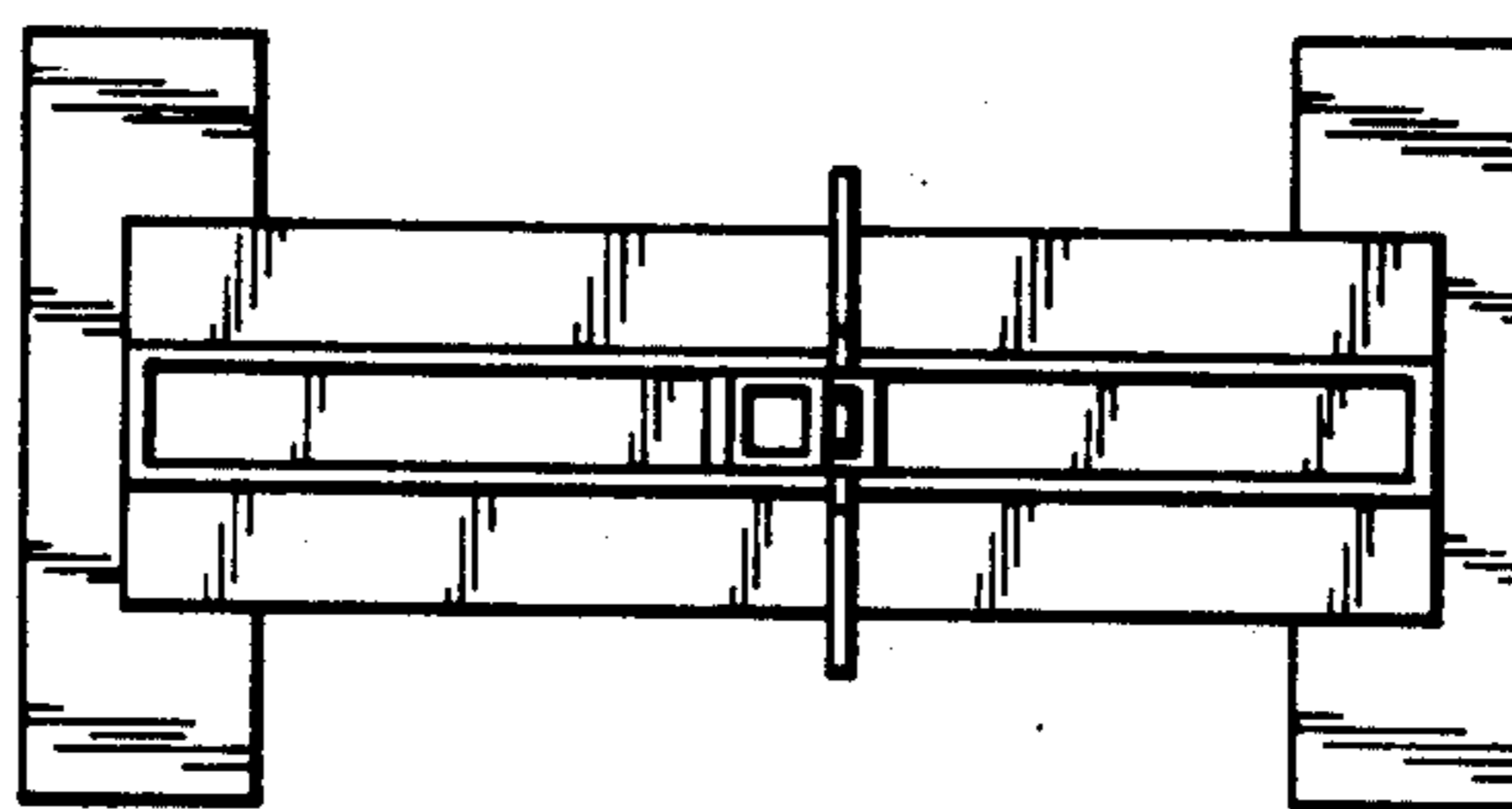
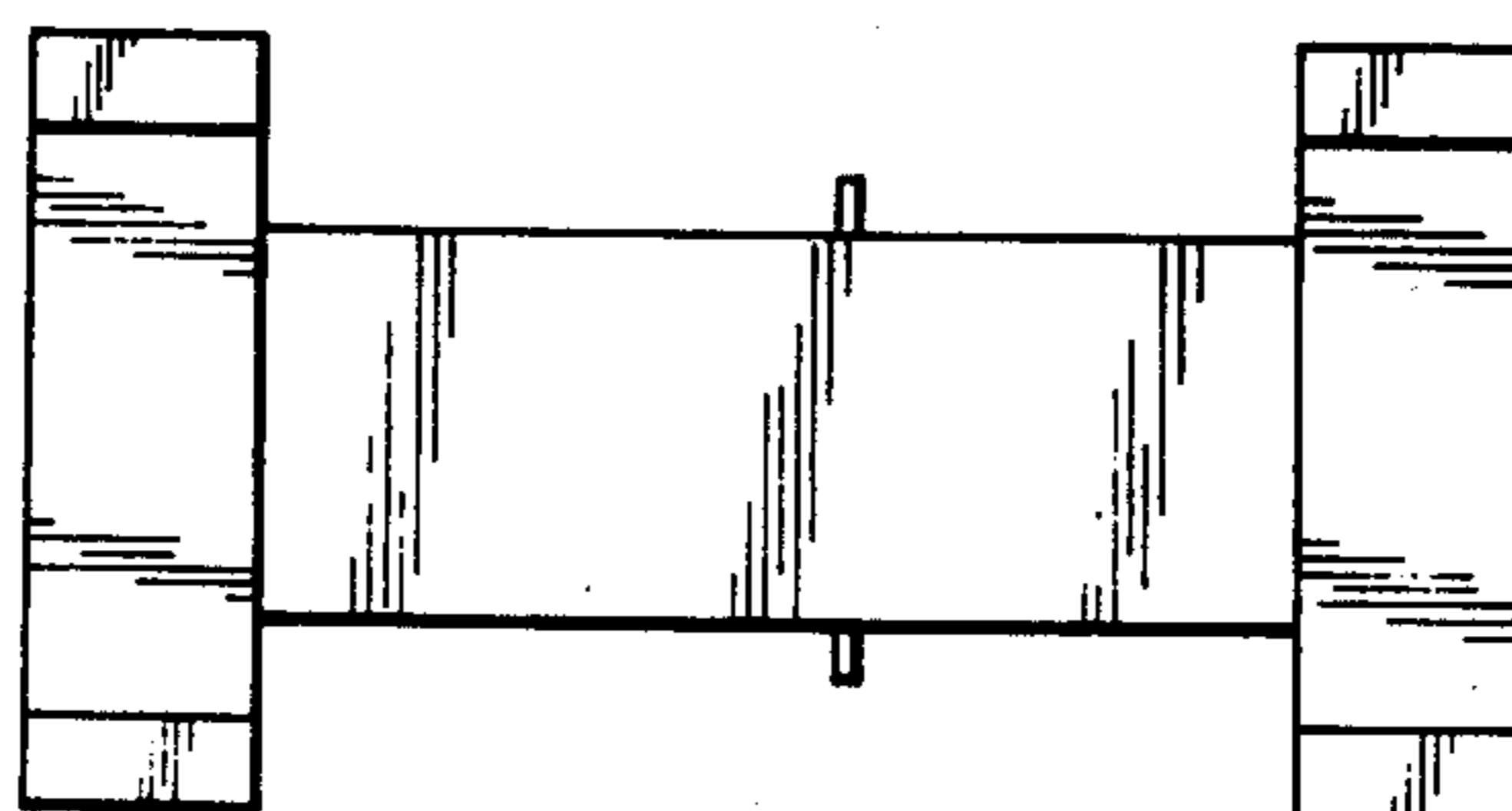


FIG. 3



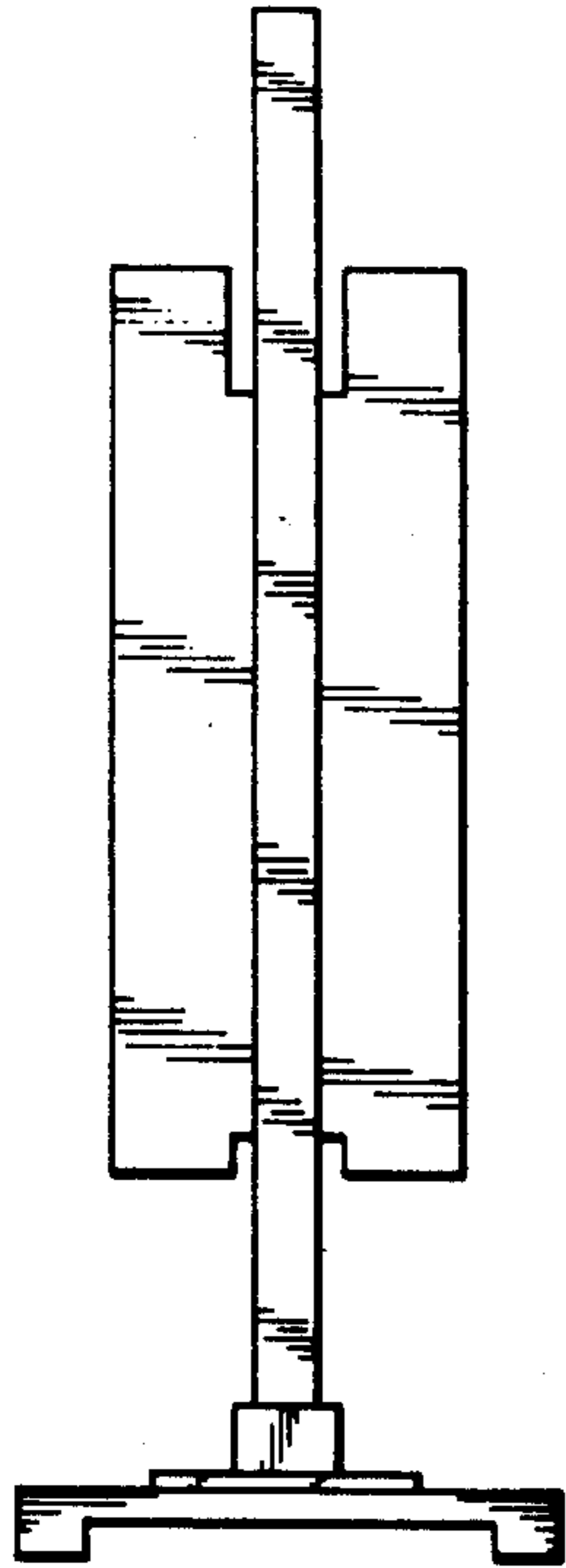


FIG. 4

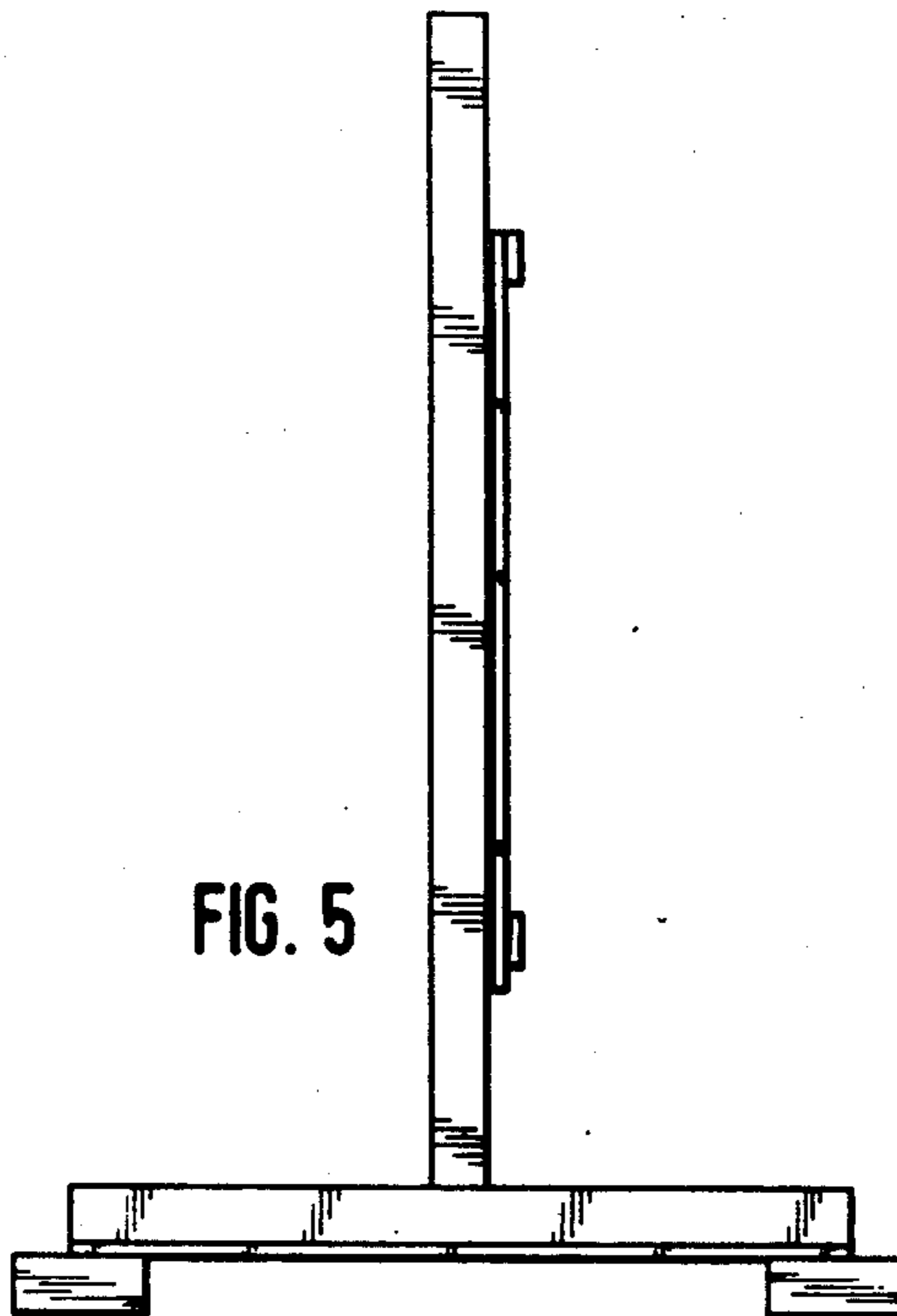


FIG. 5

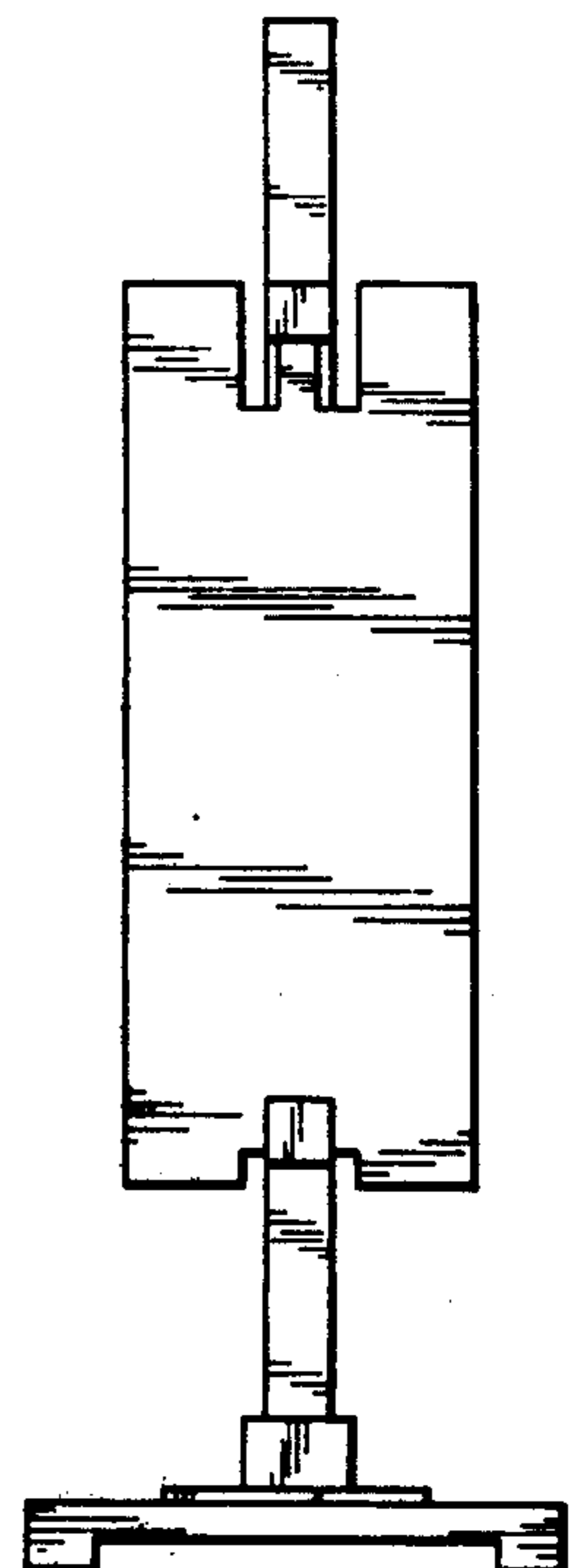


FIG. 6

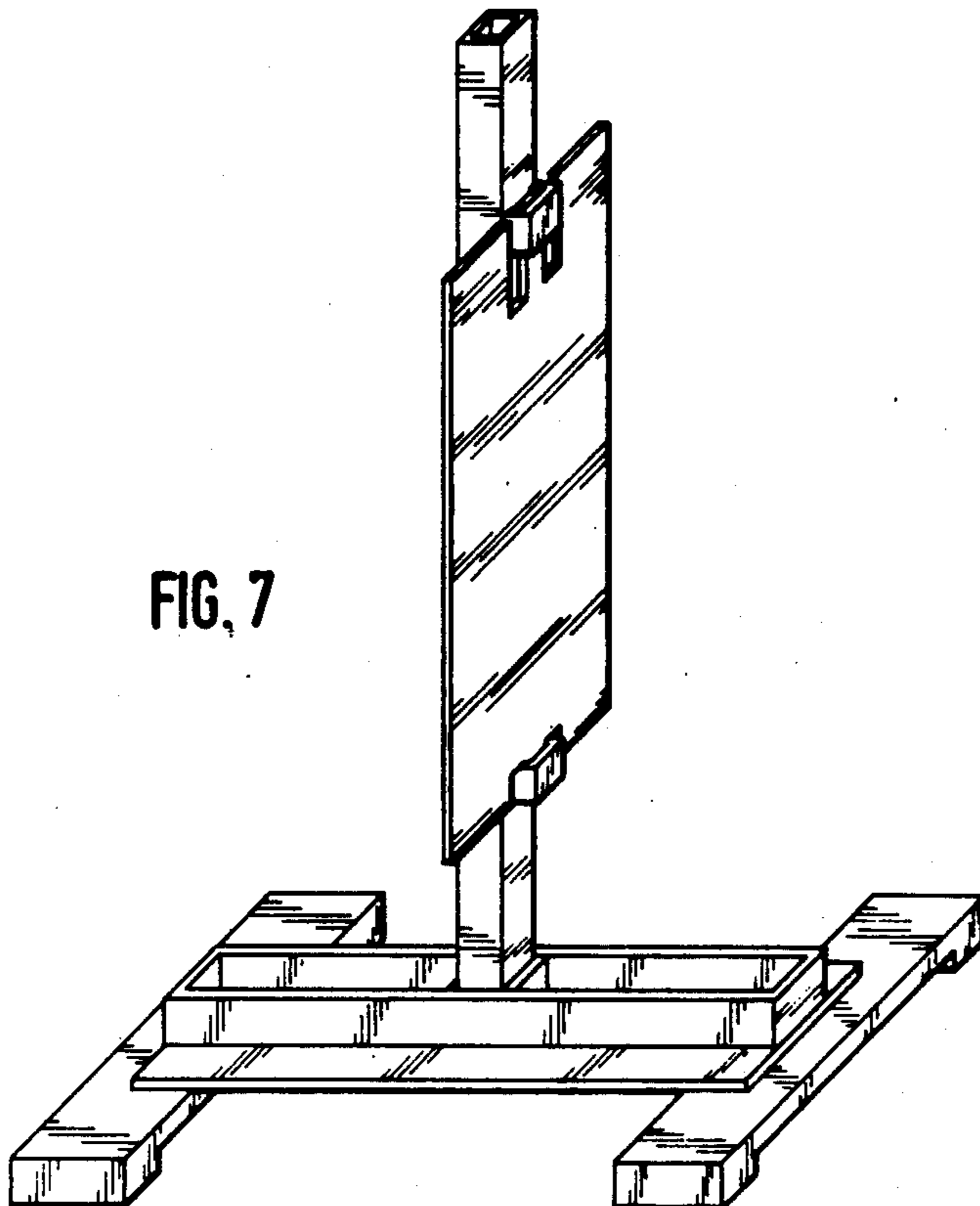


FIG. 7