

[54] JEWELRY BOX

[75] Inventor: Heliodoro S. Zavala, Los Angeles, Calif.

[73] Assignee: Acorform Corporation, Los Angeles, Calif.

[\*\*] Term: 14 Years

[21] Appl. No.: 808,884

[22] Filed: Jun. 22, 1977

[51] Int. Cl. .... D3-01

[52] U.S. Cl. .... D3/75; D9/232

[58] Field of Search ..... D87/1 B, 1 R, 1 C; 312/305; 206/566; D9/230-232, 224

[56] References Cited

U.S. PATENT DOCUMENTS

D. 124,622	1/1941	Hilton .....	D9/232
D. 196,456	10/1963	Bieger .....	D9/232
D. 238,469	1/1976	Lanius .....	D9/232
D. 246,508	11/1977	Nudell .....	D9/224
3,209,903	10/1965	Shiffman .....	206/566

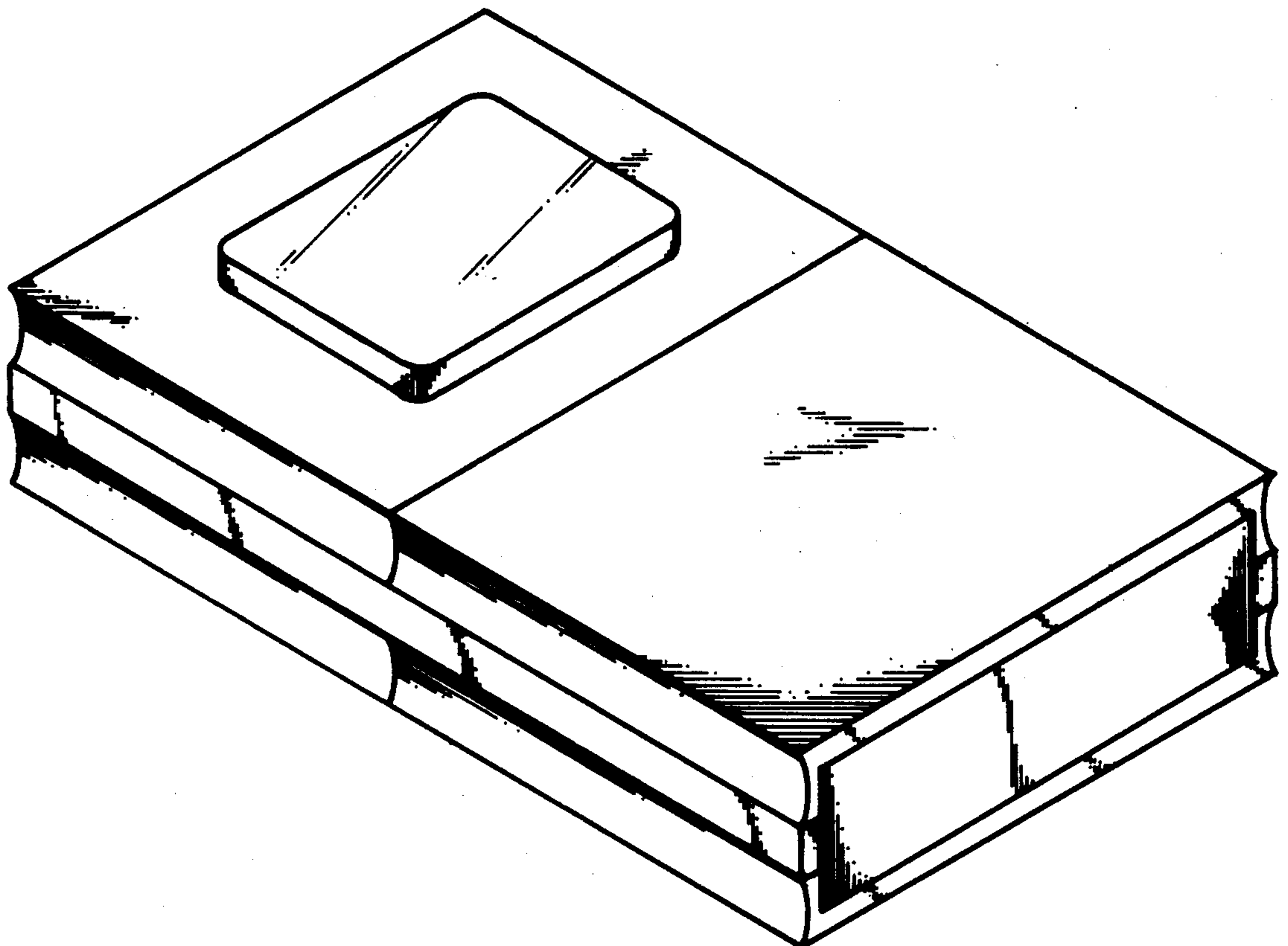
Primary Examiner—Joel Stearman  
Assistant Examiner—Goerge P. Word  
Attorney, Agent, or Firm—John E. Wagner

[57] CLAIM

The ornamental design for a jewelry box, as shown and described.

DESCRIPTION

FIG. 1 is a perspective view of a jewelry box showing my new design;  
 FIG. 2 is a top plan view thereof;  
 FIG. 3 is a front elevational view thereof;  
 FIG. 4 is a left side elevational view thereof, the opposite side being a mirror image thereof;  
 FIG. 5 is a bottom plan view thereof;  
 FIG. 6 is a top plan view thereof with one door open and a second closed;  
 FIG. 7 is a top plan view with the second door open and the first closed;  
 FIG. 8 is a bottom plan view with two bottom doors open;  
 FIG. 9 is a left side elevational view of FIG. 6;  
 FIG. 10 is a left side elevational view of FIG. 7; and  
 FIG. 11 is a left side elevational view of FIG. 8.



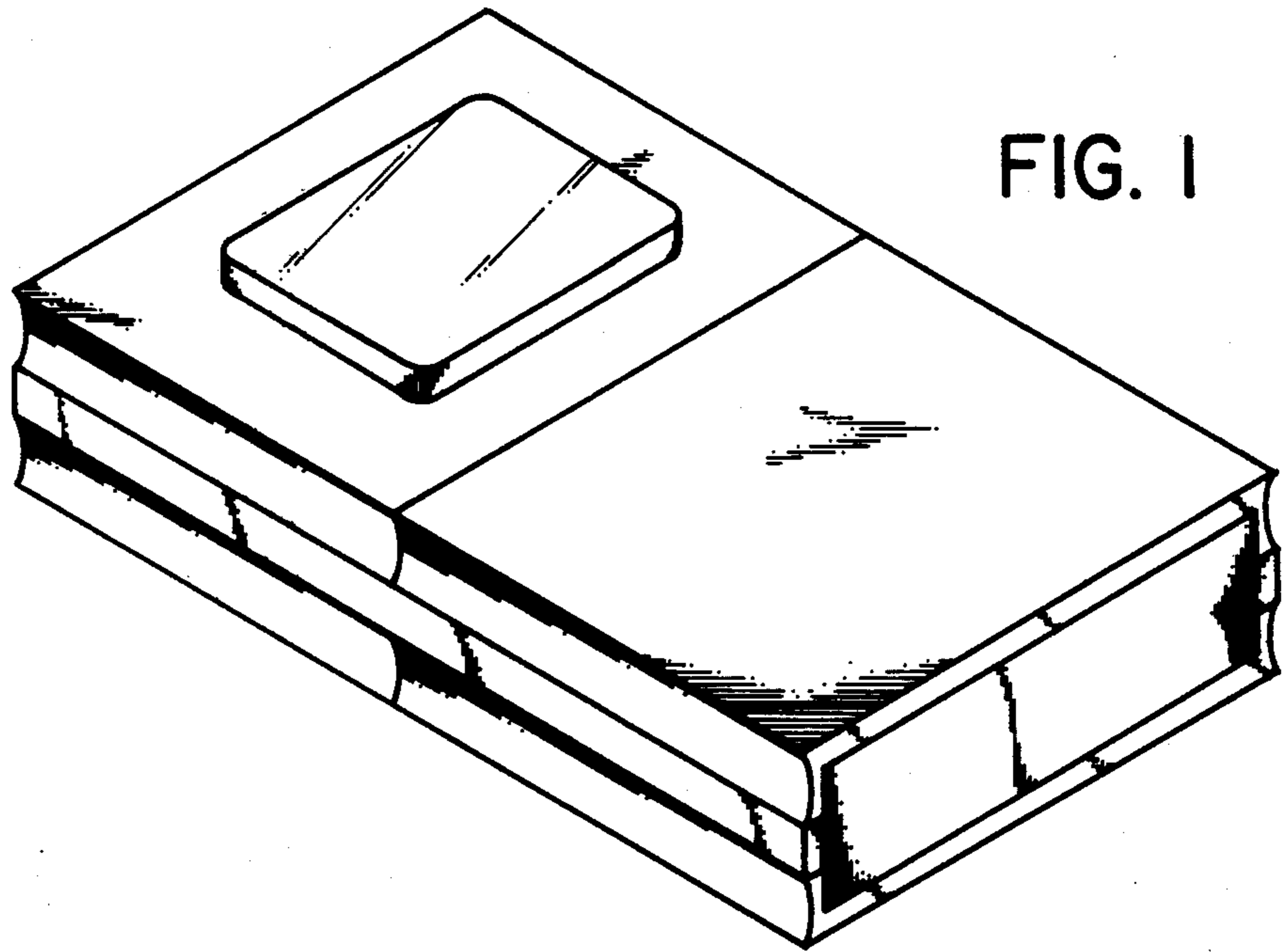


FIG. 1

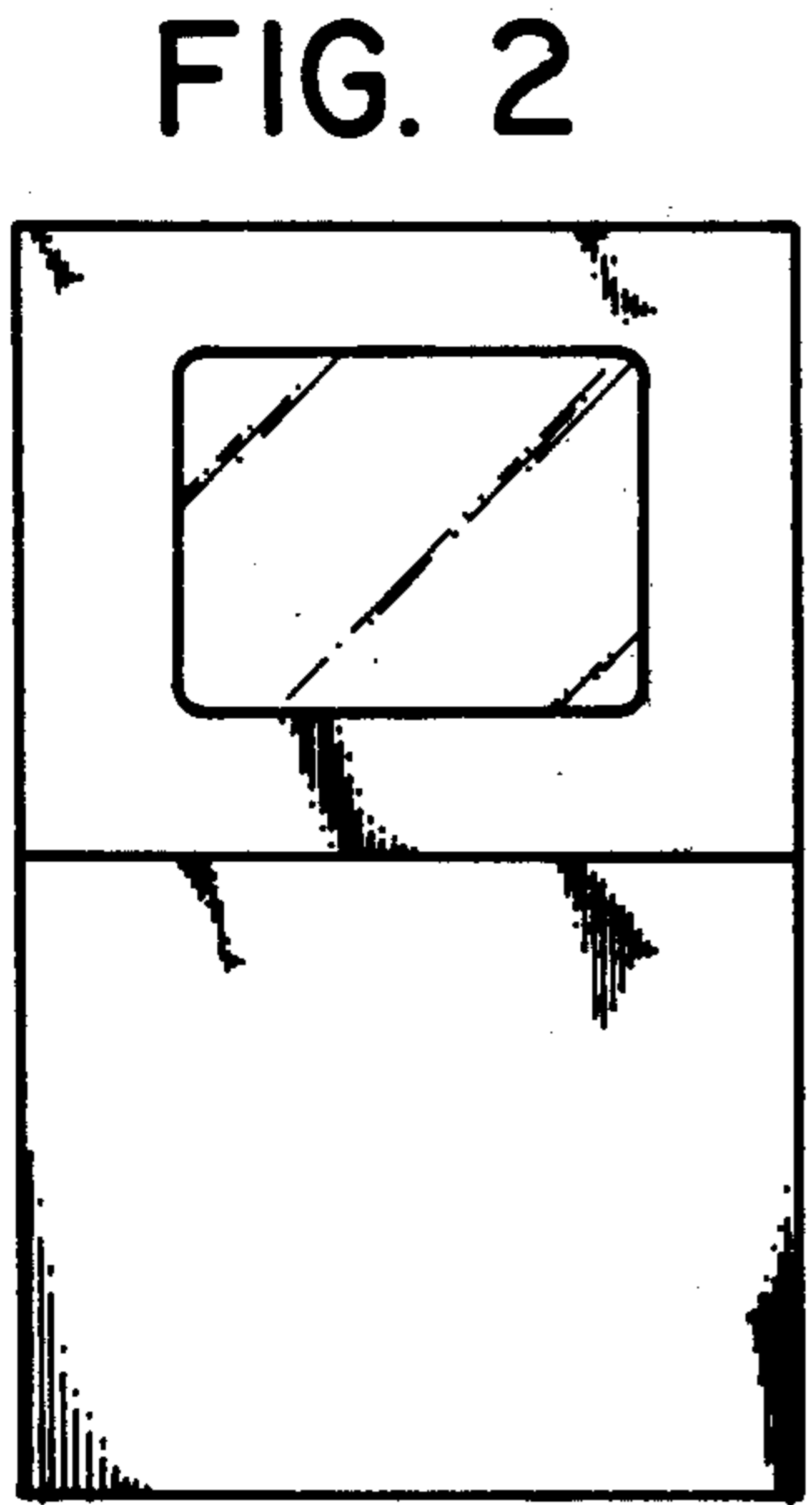


FIG. 2

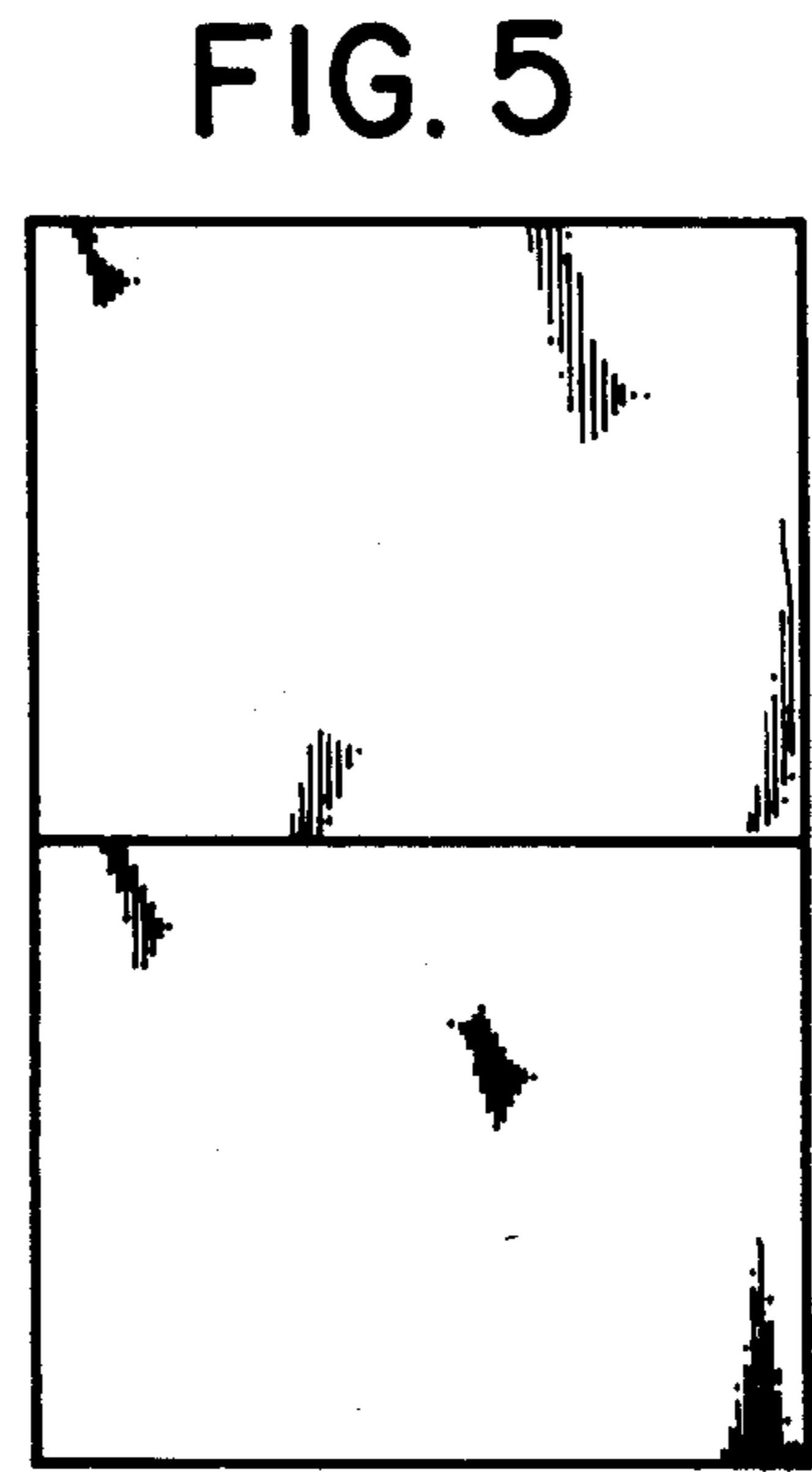


FIG. 5



FIG. 4

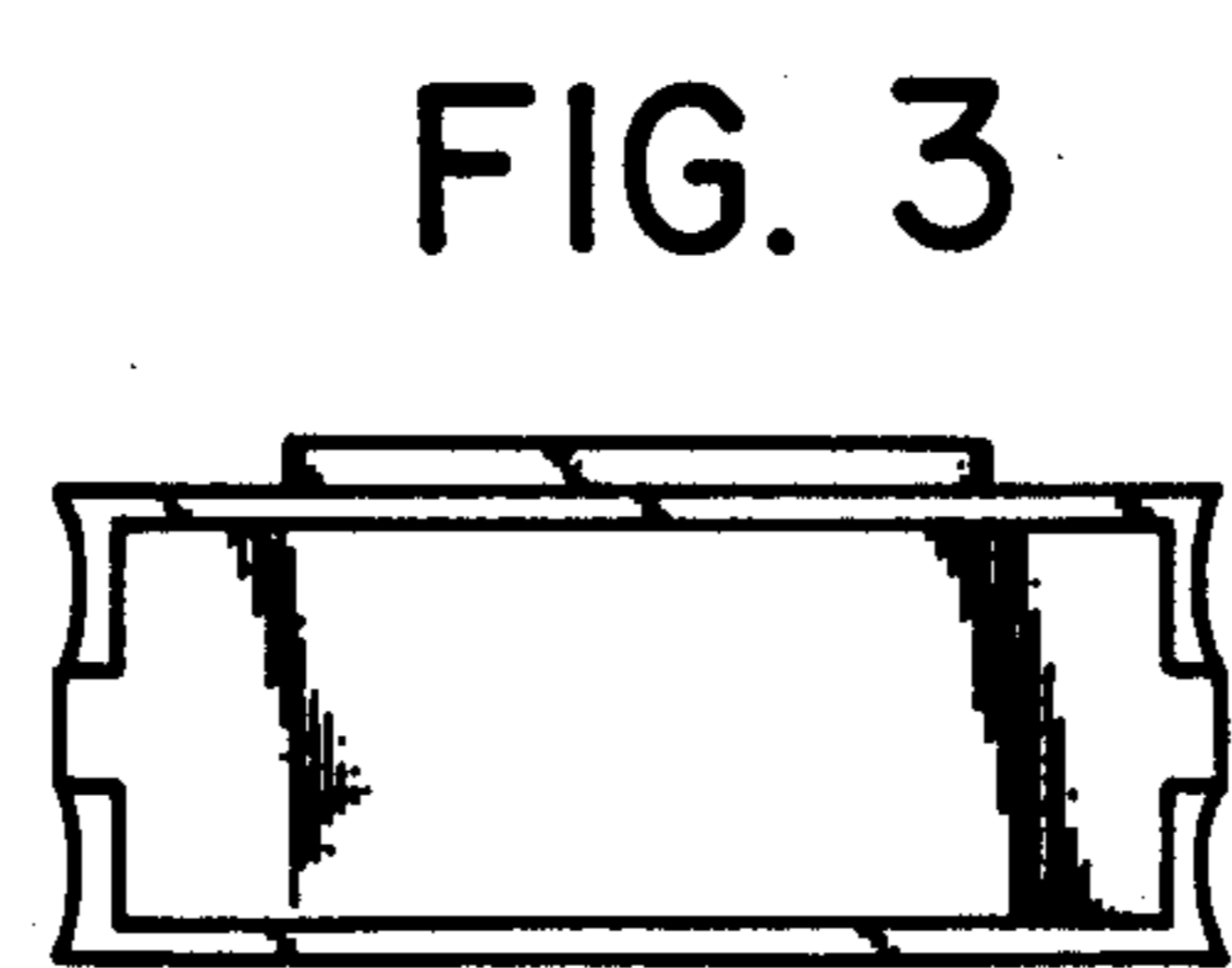


FIG. 3

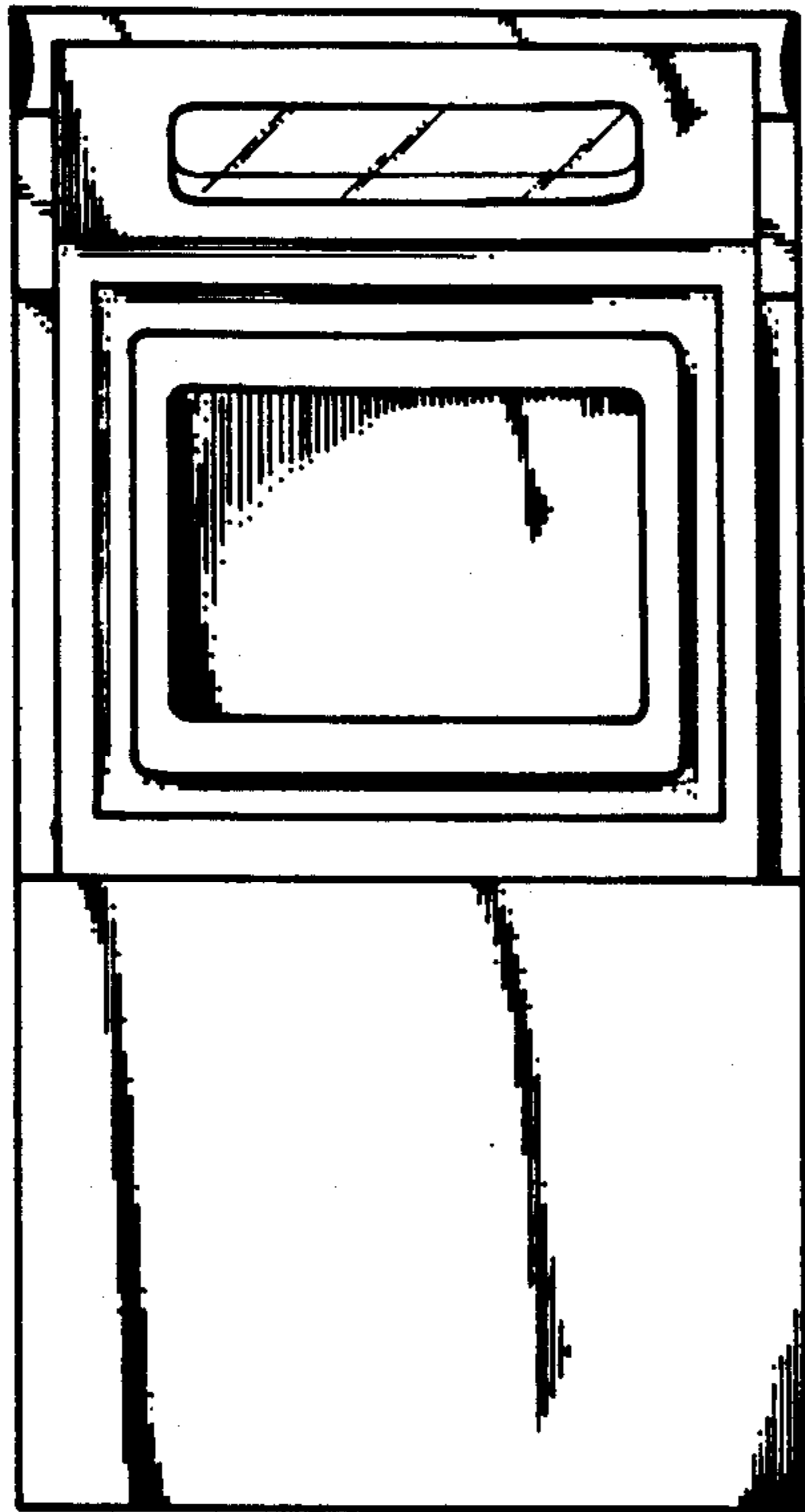


FIG. 6

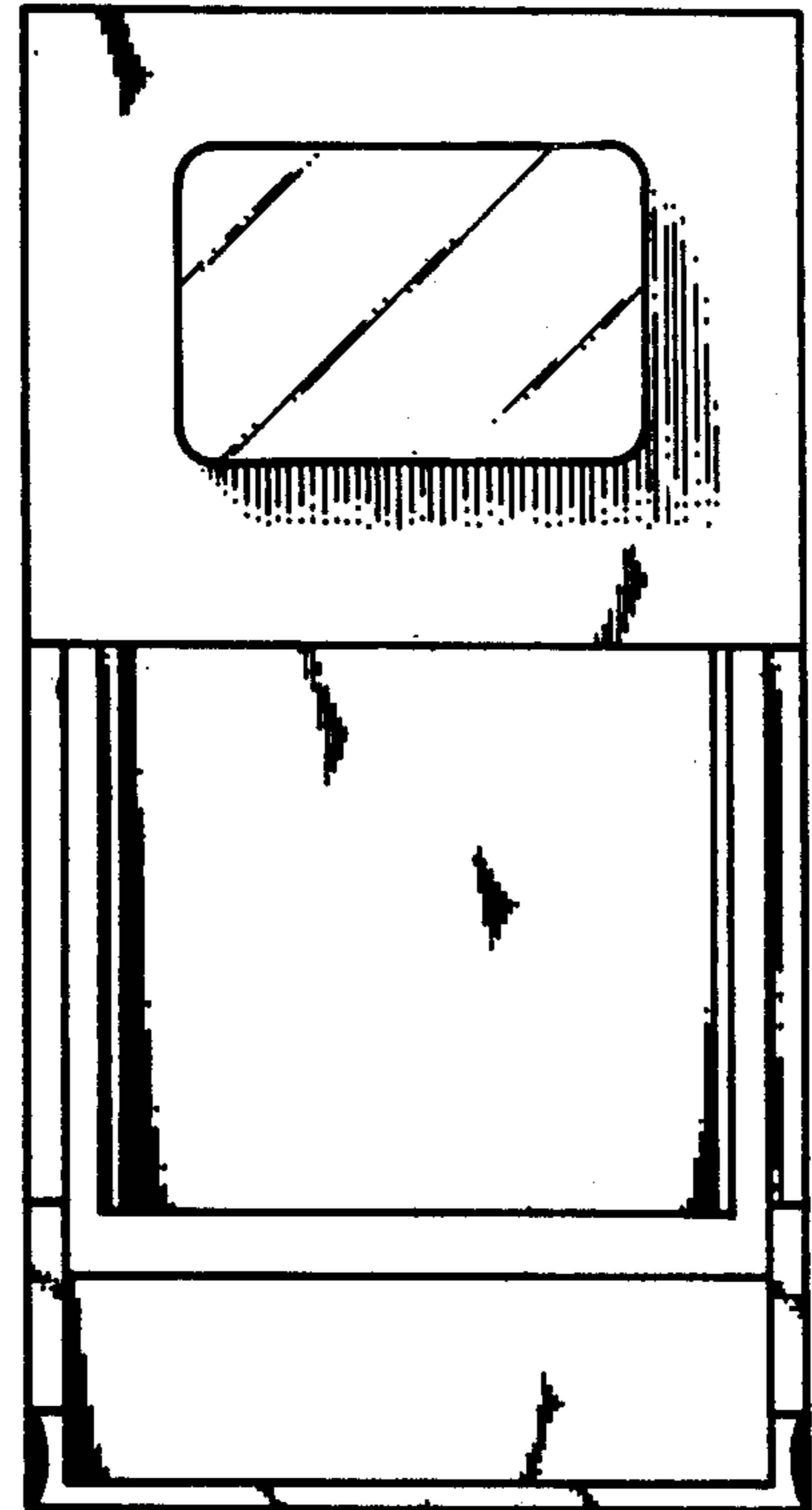


FIG. 7

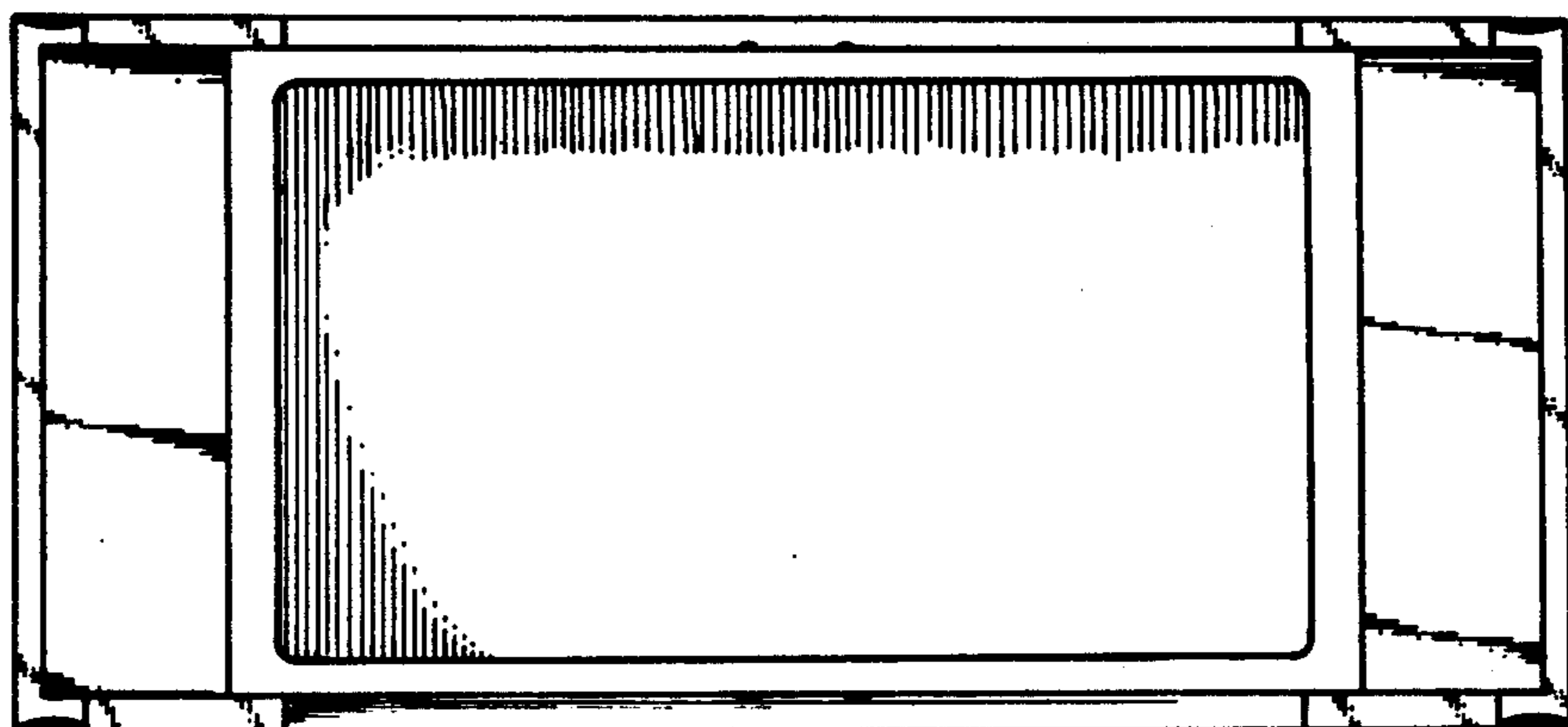


FIG. 8

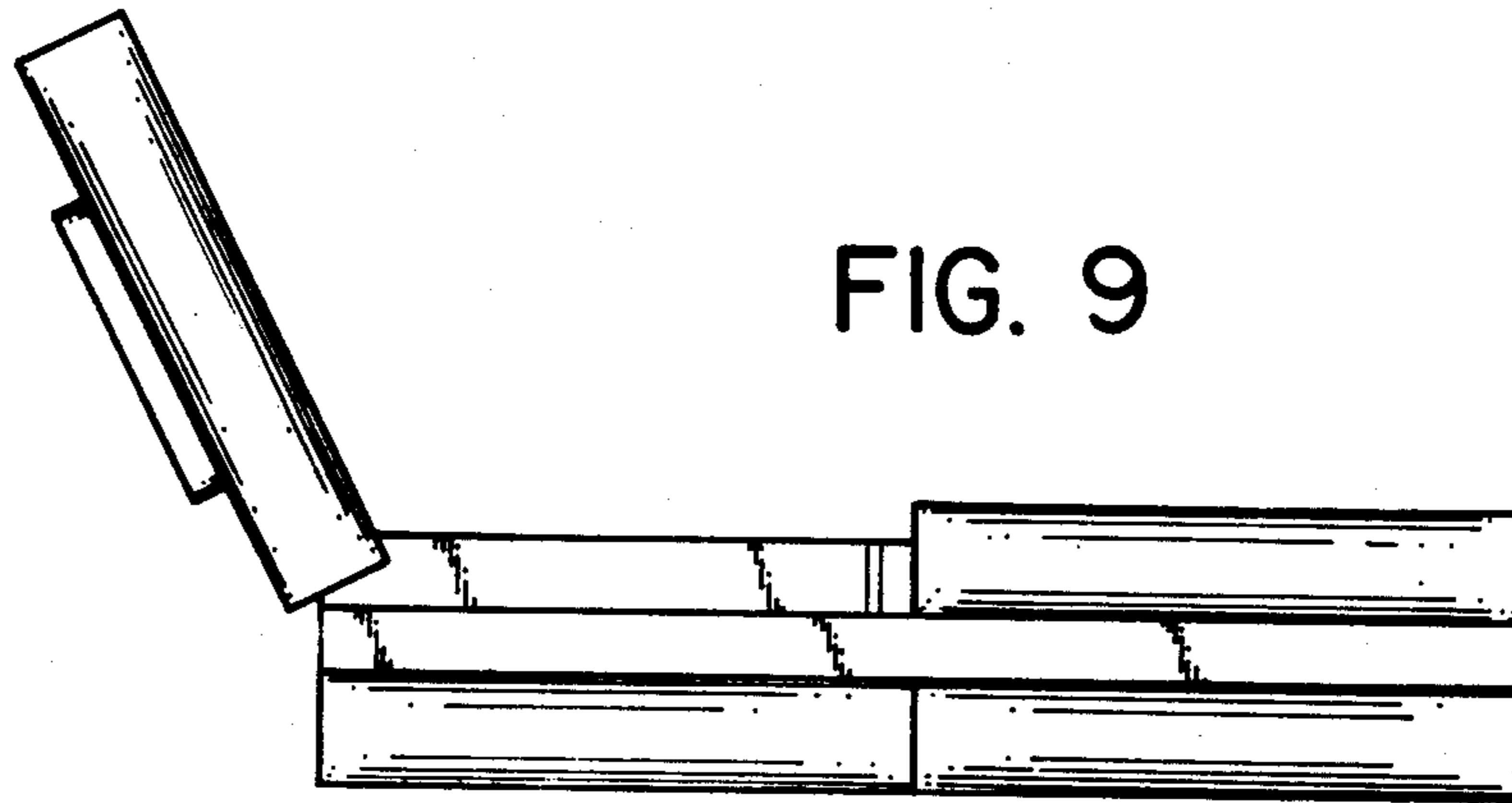


FIG. 9

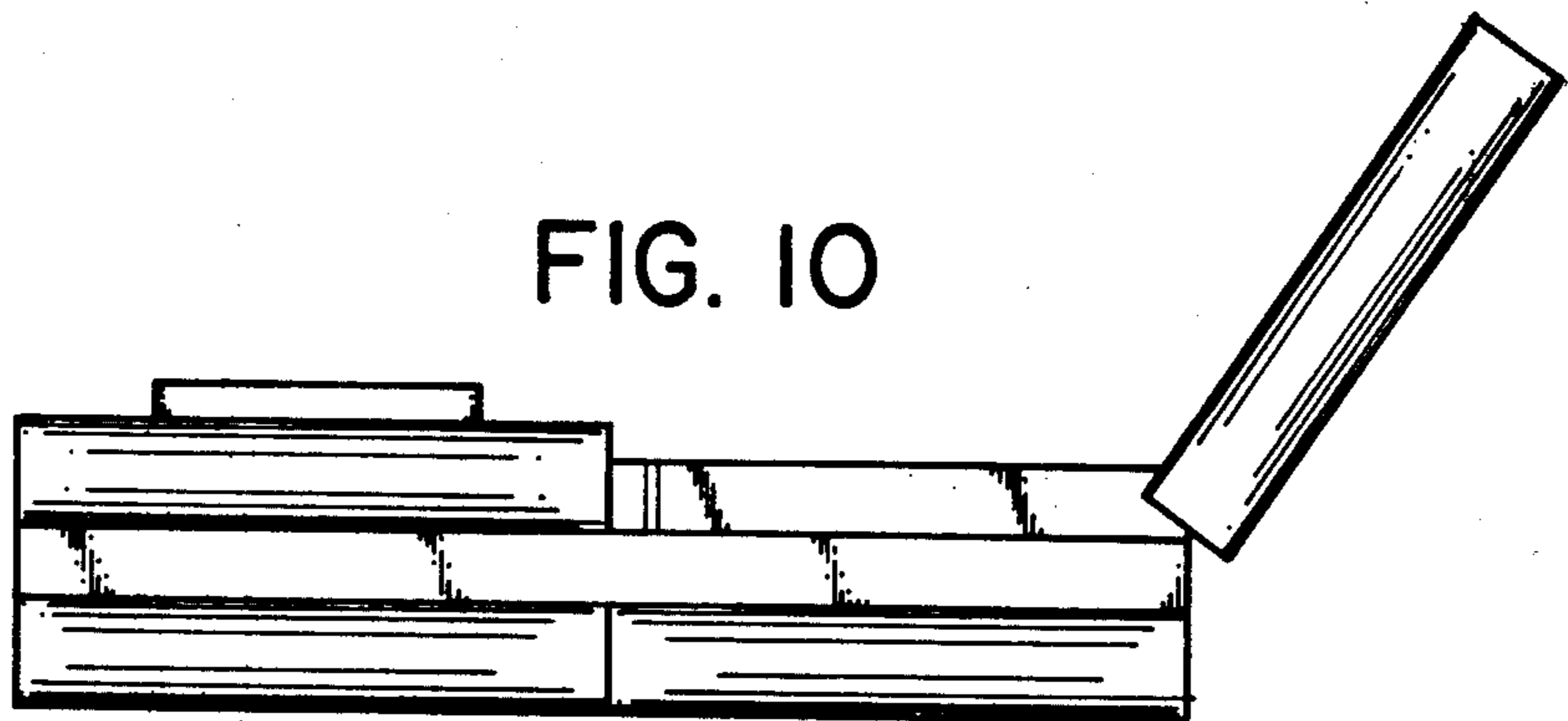


FIG. 10

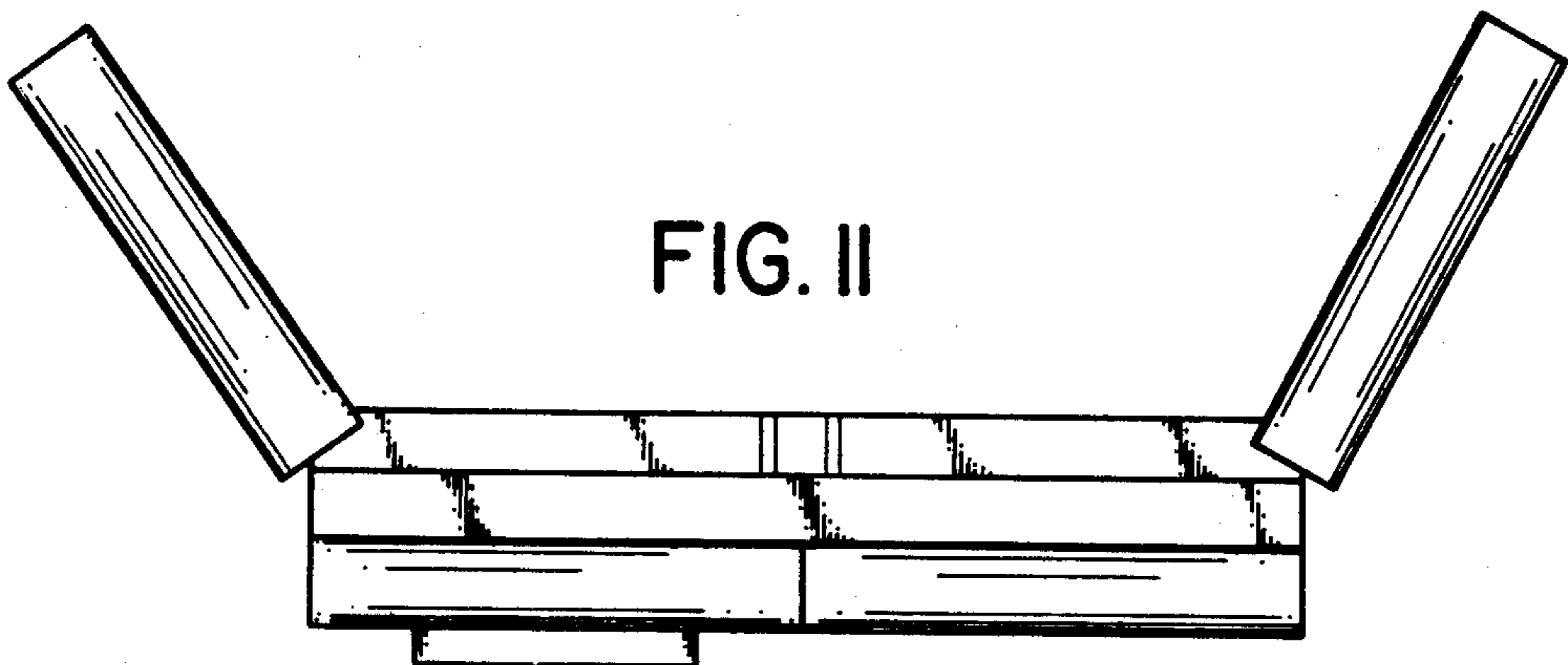


FIG. 11