

[54] ADJUSTABLE LAMP

[75] Inventor: Kenji Ekuan, Tokyo, Japan

[73] Assignee: Yamagiwa Electric Co. Ltd., Tokyo, Japan

[**] Term: 14 Years

[21] Appl. No.: 825,812

[22] Filed: Aug. 18, 1977

[51] Int. Cl. D26-05

[52] U.S. Cl. D48/20 F

[58] Field of Search D48/20 R, 20 F, 20 G; 362/410, 411, 412, 413, 414

[56] References Cited

U.S. PATENT DOCUMENTS

- D. 216,912 3/1970 Daito D48/20 G
- 3,310,673 3/1967 Fletcher D48/20 G X

3,479,499 11/1969 Dahl D48/20 G X

FOREIGN PATENT DOCUMENTS

1431865 2/1966 France 362/413

Primary Examiner—Susan J. Lucas

Attorney, Agent, or Firm—William Anthony Drucker

[57] CLAIM

The ornamental design for an adjustable lamp, as shown and described.

DESCRIPTION

FIG. 1 is a top plan view of an adjustable lamp showing my new design;

FIG. 2 is a front view thereof;

FIG. 3 is a right side elevational view thereof;

FIG. 4 is a left side elevational view thereof;

FIG. 5 is a rear elevational view thereof;

FIG. 6 is a bottom plan view thereof.

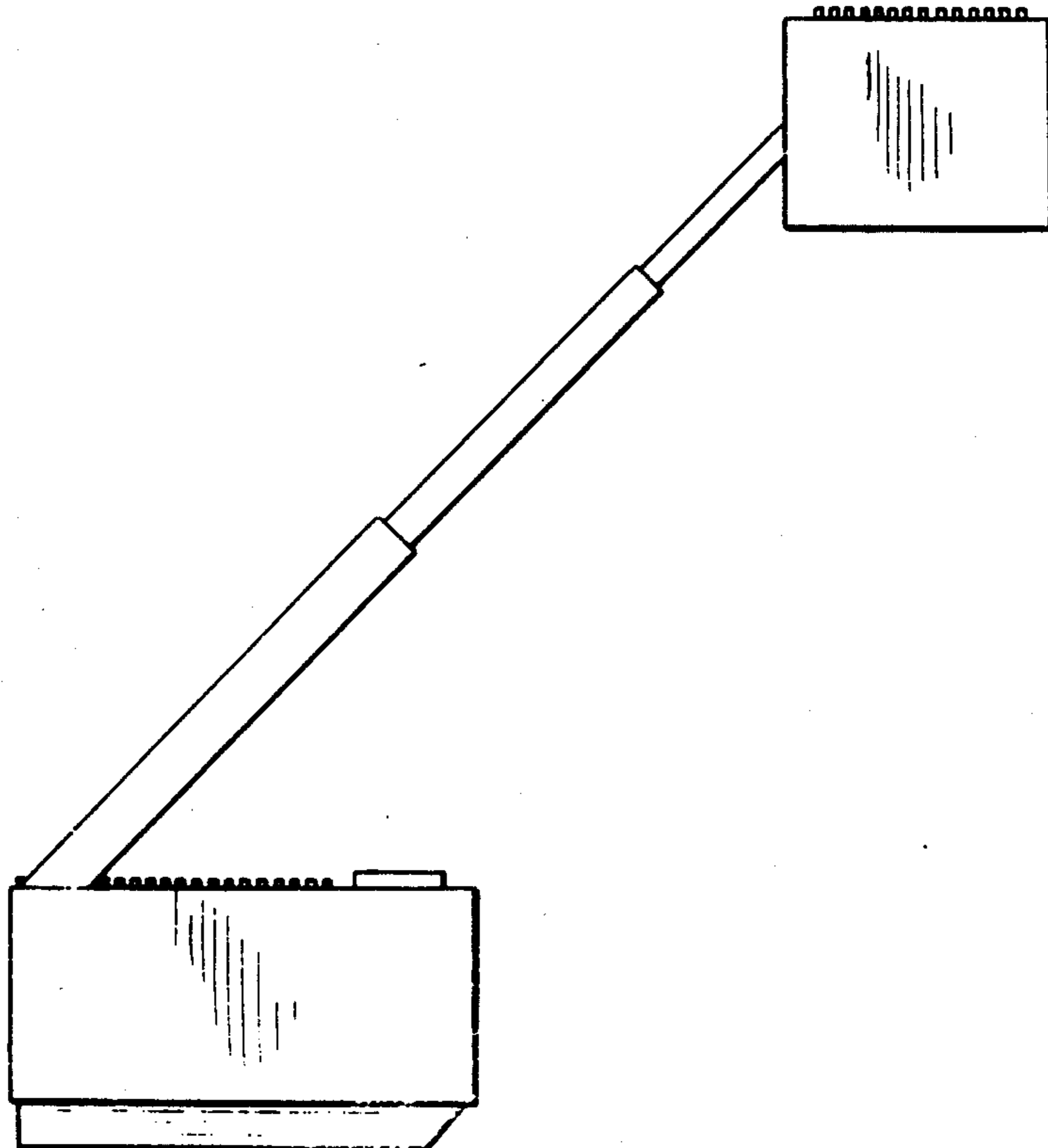


FIG. 1

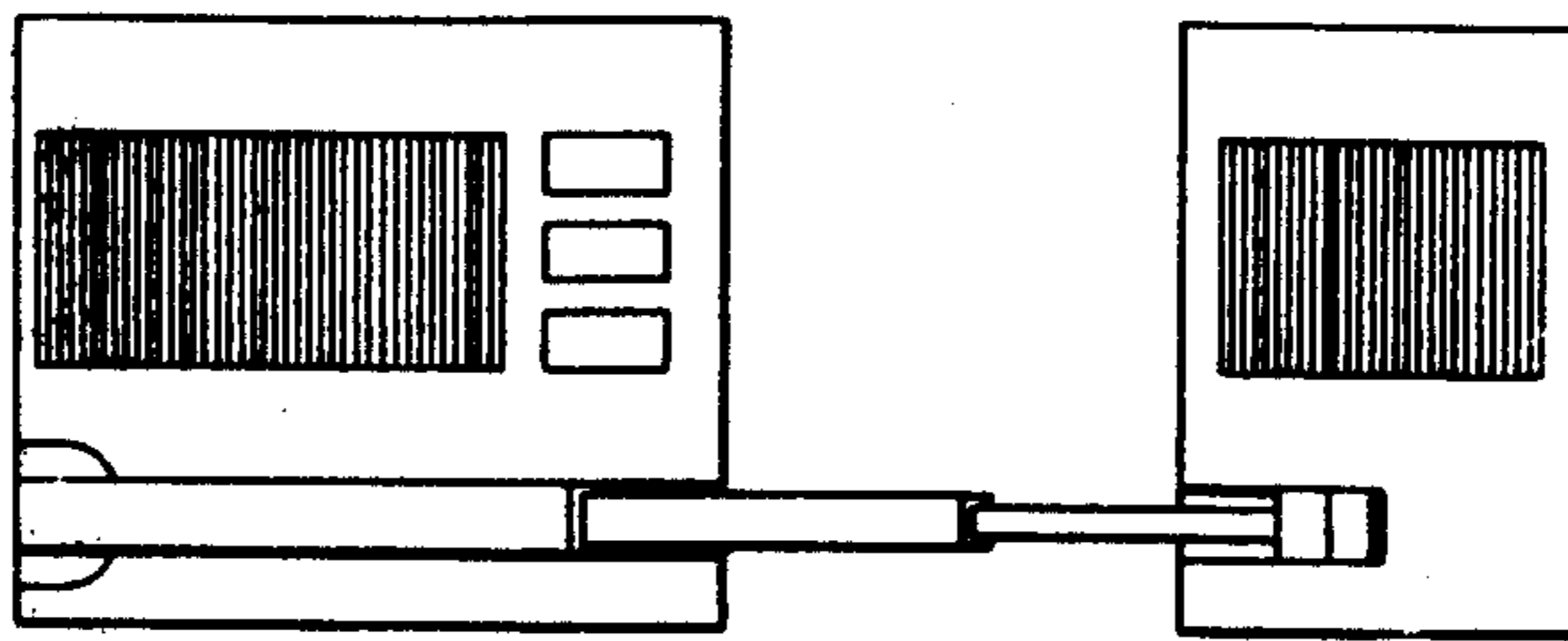


FIG. 2

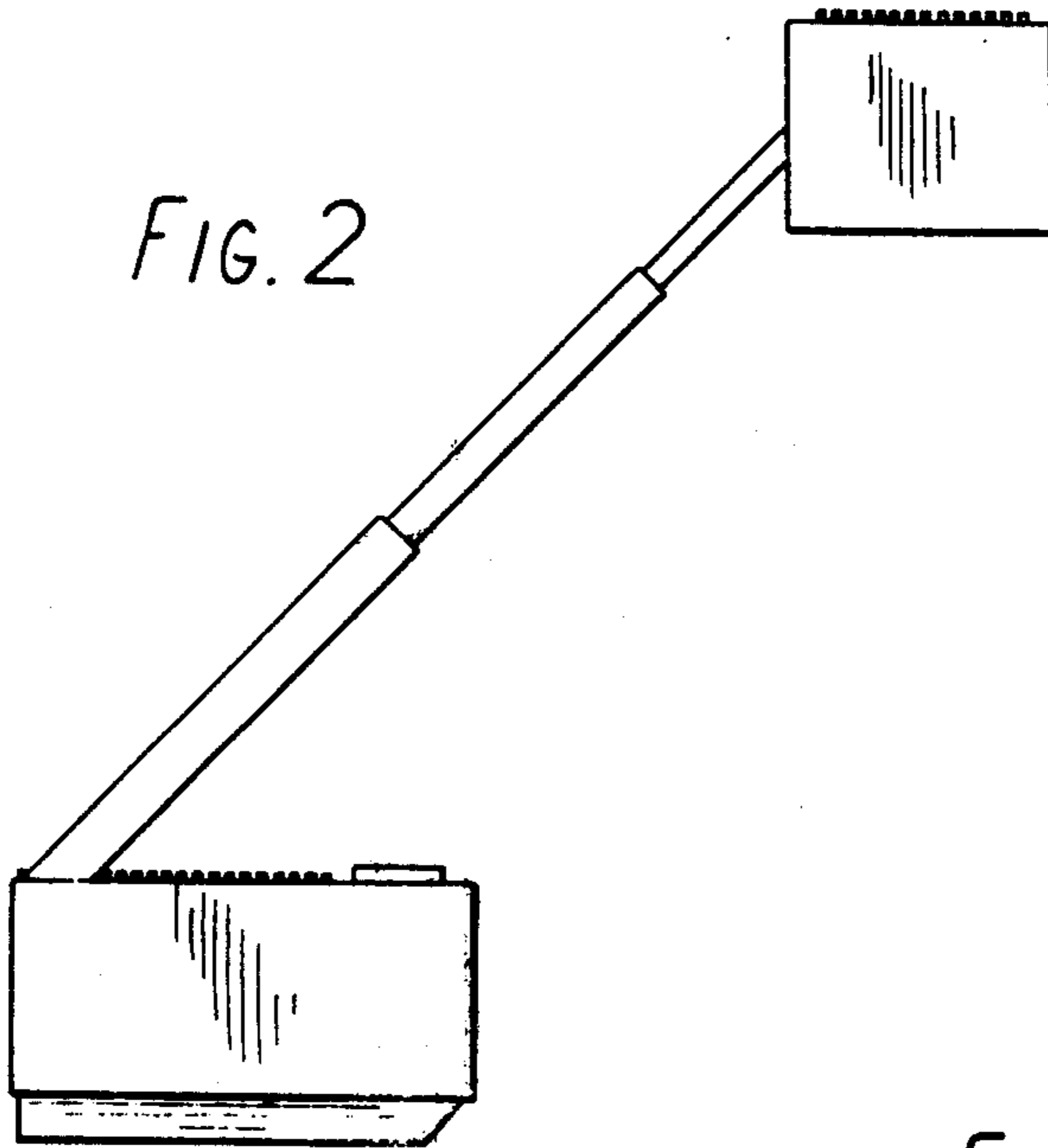
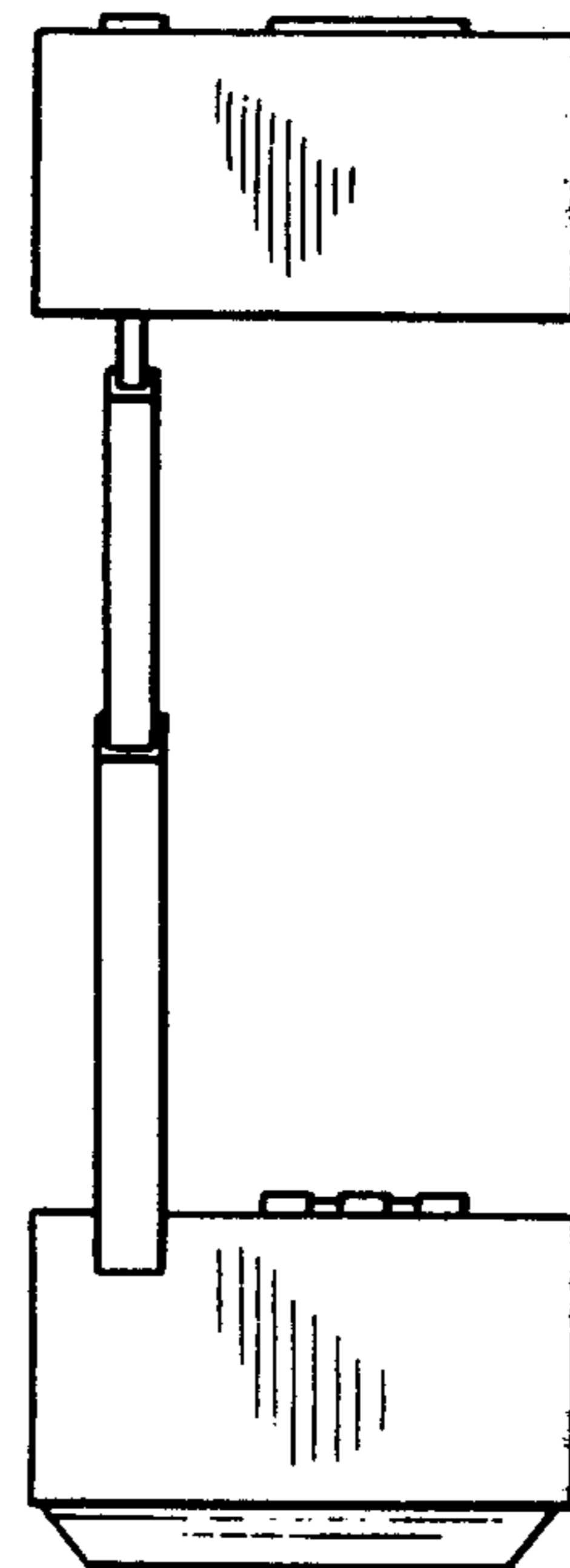


FIG. 3



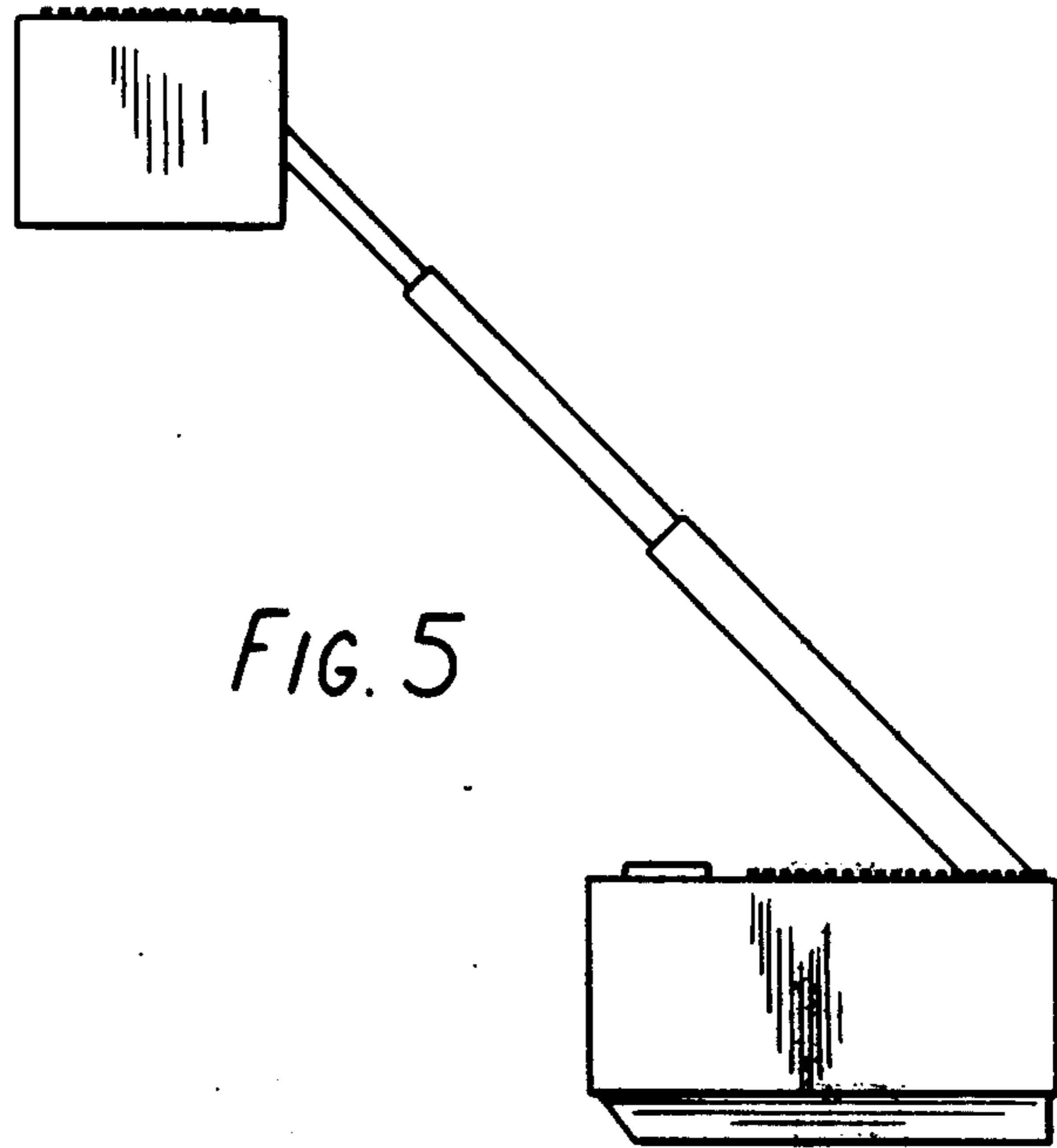
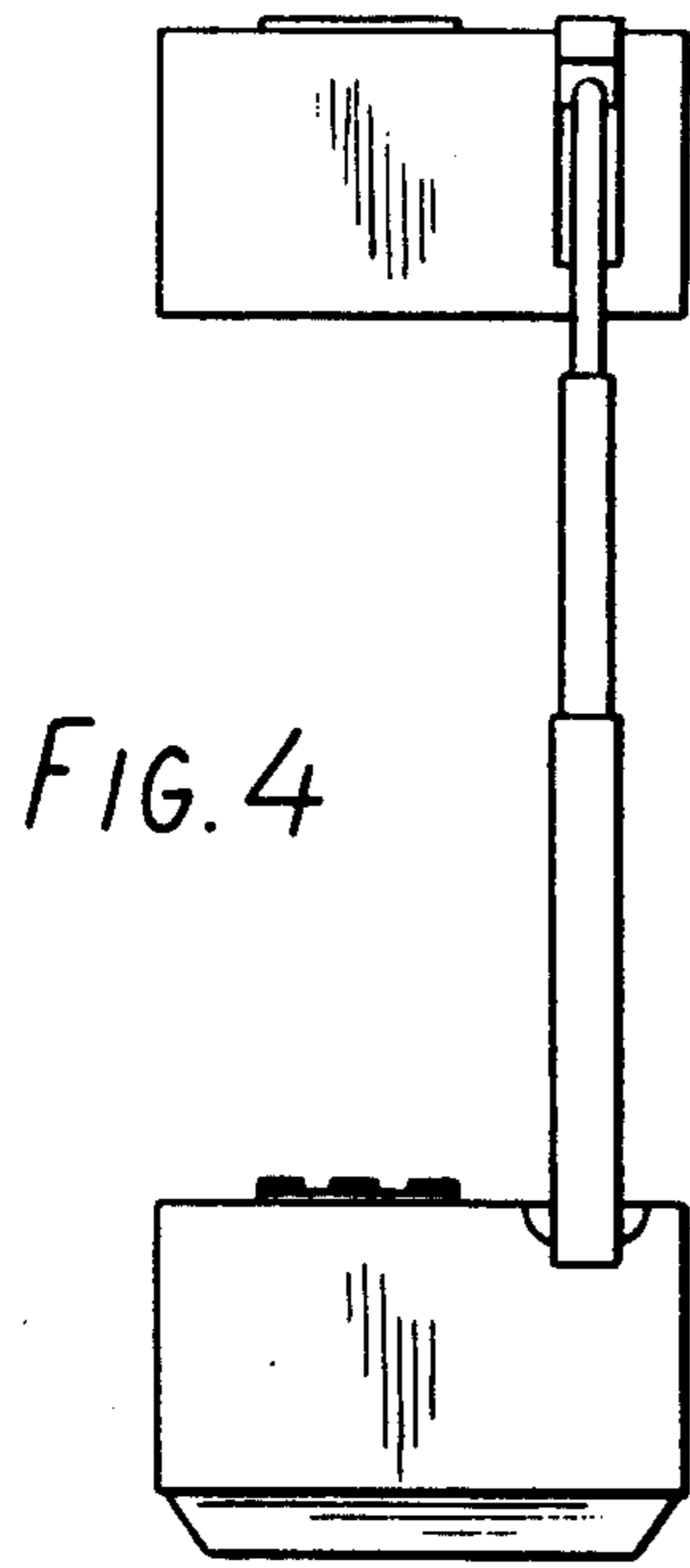


FIG. 6

