

[54] NOZZLE HEAD FOR OIL BURNERS

[75] Inventors: Björn O. M. Palm, Norrköping; Leif I. R. Carlsson, Skarblacka; David S. B. Brengdahl, Aby, all of Sweden

[73] Assignee: B. Palm & Co. Aktiebolag, Norrköping, Sweden

[**] Term: 14 Years

[21] Appl. No.: 741,402

[22] Filed: Nov. 12, 1976

[30] Foreign Application Priority Data
Aug. 20, 1976 [SE] Sweden 7600160

[51] Int. Cl. D23—03
[52] U.S. Cl. D23/126
[58] Field of Search D23/126, 34, 35, 36,
D23/37; 239/405, 406

[56] References Cited

U.S. PATENT DOCUMENTS

2,485,244	10/1949	Sanborn	D23/126 UX
2,790,490	4/1957	Smith	239/406
3,664,804	5/1972	Flournoy et al.	239/405 X
3,733,169	5/1973	Lefebure	239/405 X

Primary Examiner—Wallace R. Burke
Assistant Examiner—Catherine Kemper
Attorney, Agent, or Firm—Irvin S. Thompson

[57] CLAIM

The ornamental design for a nozzle head for oil burners, as shown and described.

DESCRIPTION

FIG. 1 is a perspective view of a nozzle head for oil burners showing our new design;
FIG. 2 is a perspective view showing the opposite end thereof;
FIG. 3 is an elevational view of the end shown in FIG. 1, shown on a slightly larger scale;
FIG. 4 is an elevational view of the end shown in FIG. 2, shown on a slightly larger scale.

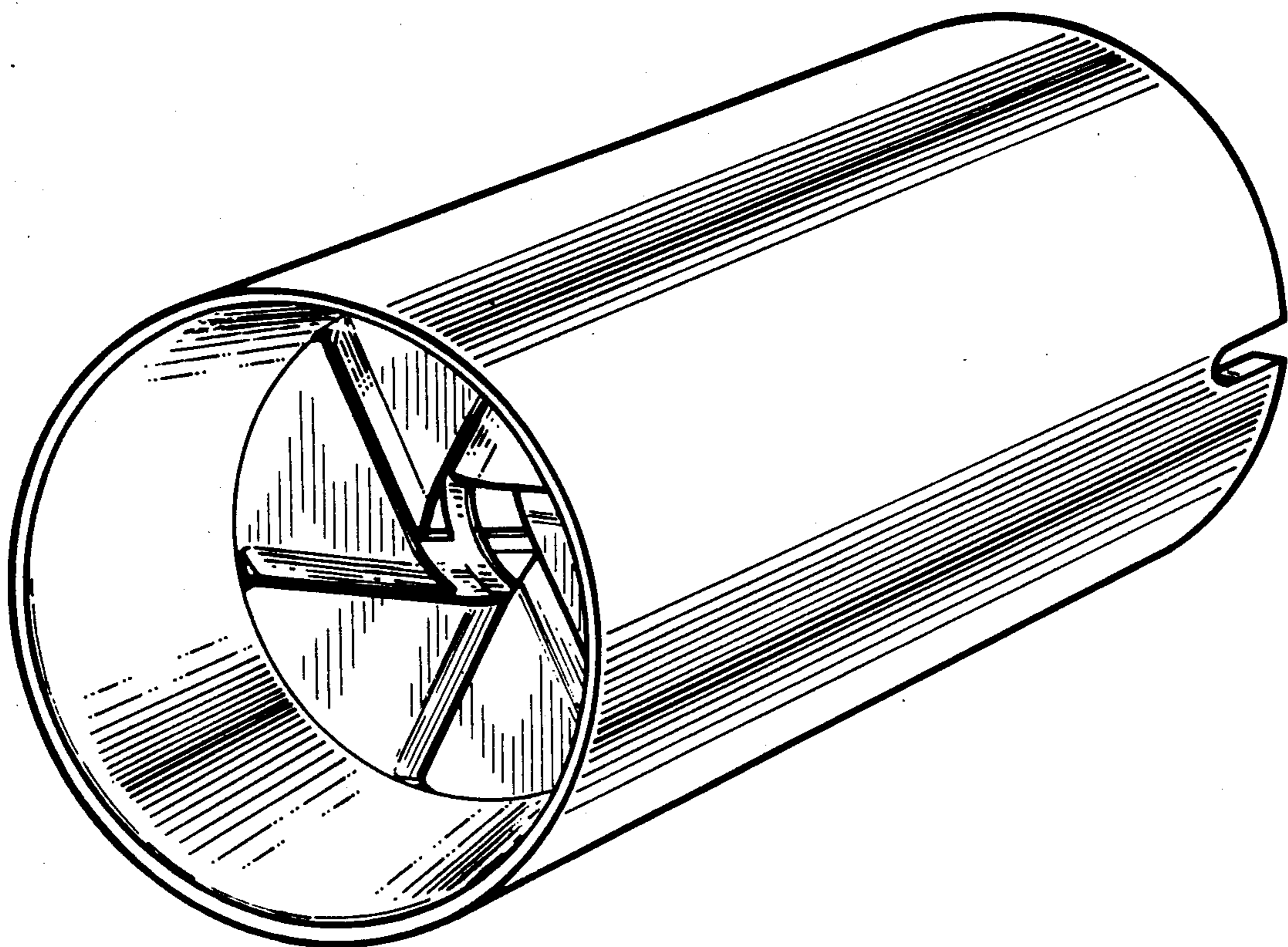


FIG. 1

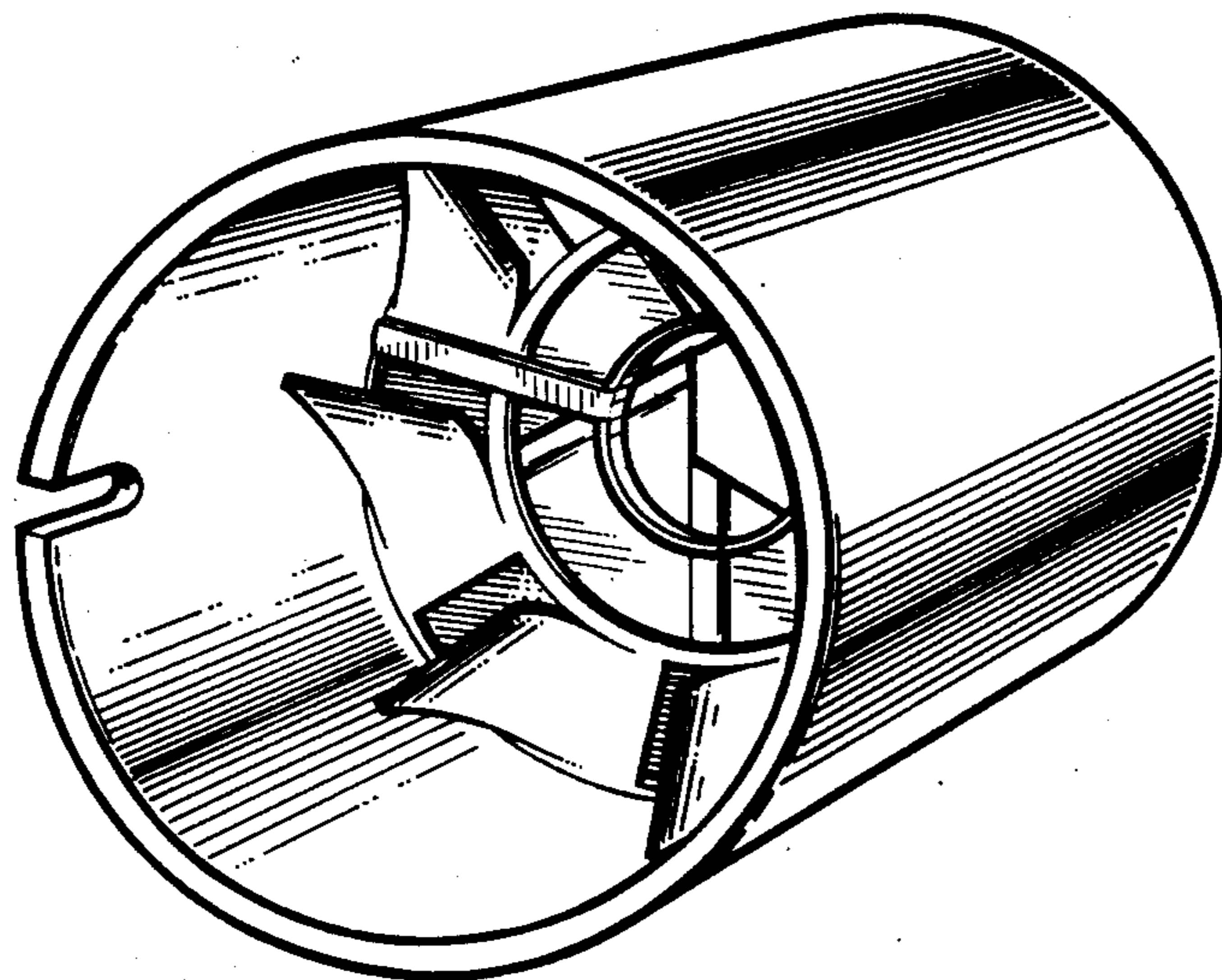
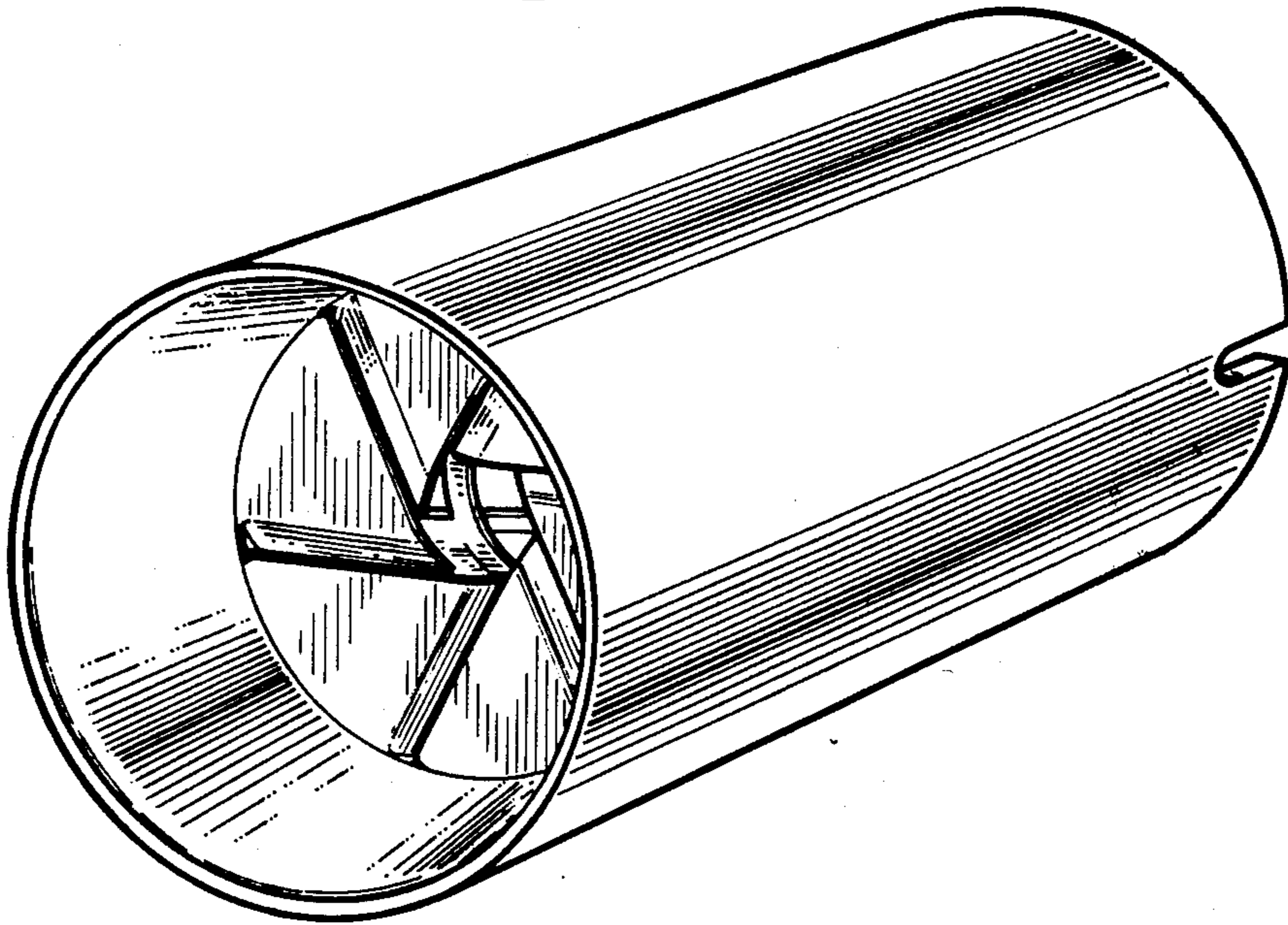


FIG. 2

FIG. 3

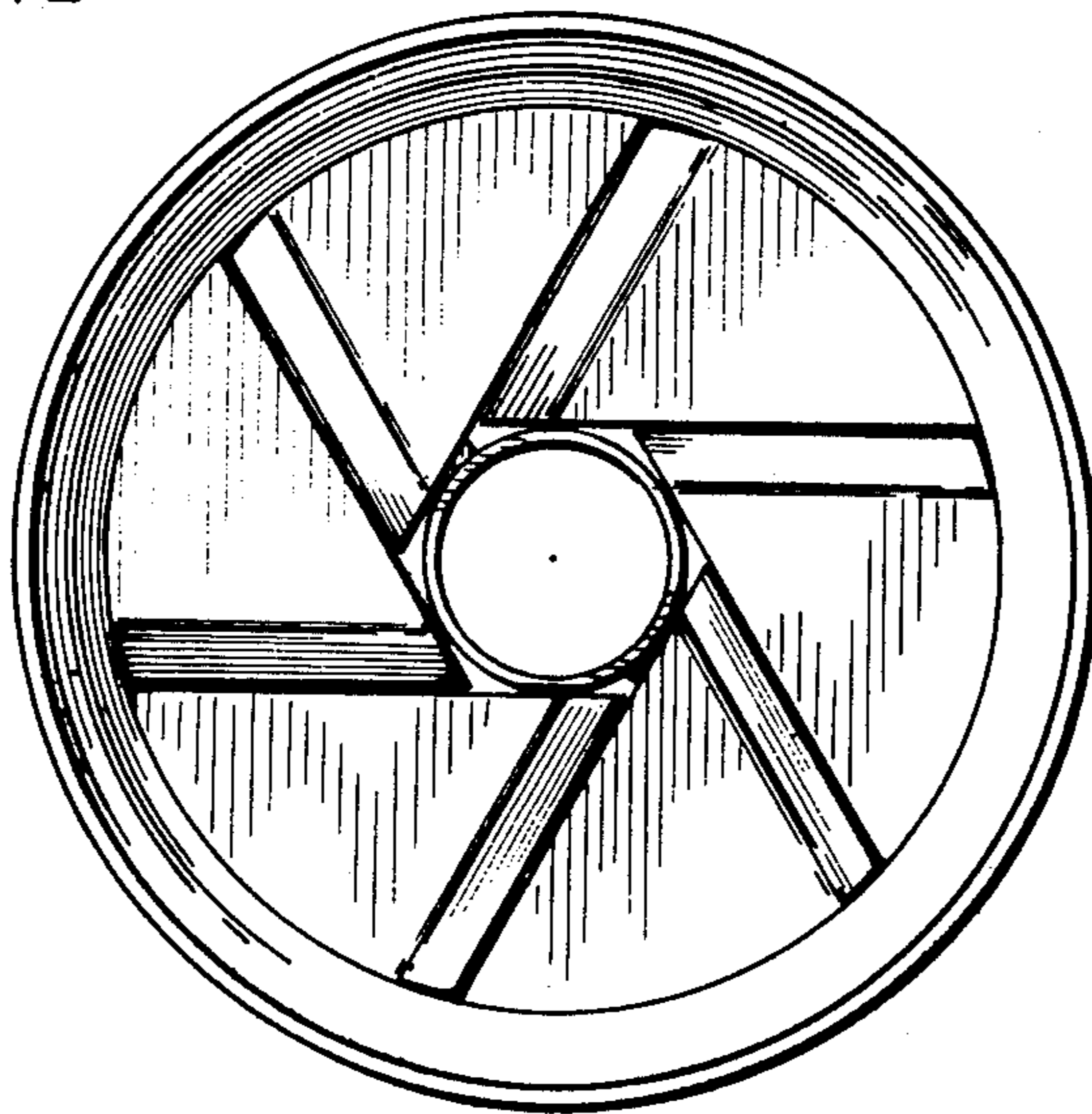


FIG. 4

