

[54] **COMBINED FRONT PLATE AND DISPENSING UNIT FOR AN ICE CREAM FREEZER**

[75] Inventor: **Thomas Carvel, Chauncey, N.Y.**

[73] Assignee: **Carvel Corporation, Yonkers, N.Y.**

[\*\*] Term: **14 Years**

[21] Appl. No.: **803,098**

[22] Filed: **Jun. 3, 1977**

[51] Int. Cl. .... **D7-04; D15-07**

[52] U.S. Cl. .... **D15/82; D15/115**

[58] Field of Search ..... **D15/82, 89, 115, 120, D15/111; 62/390; 222/146 C, 559, 509, 129.1**

[56] **References Cited**

**U.S. PATENT DOCUMENTS**

3,934,759 1/1976 Giannella et al. .... **D15/115**

**FOREIGN PATENT DOCUMENTS**

199162 10/1965 Sweden ..... **222/509**

*Primary Examiner*—James M. Gandy  
*Attorney, Agent, or Firm*—C. Bruce Hamburg

[57] **CLAIM**

The ornamental design for a combined front plate and dispensing unit for an ice cream freezer, substantially as shown and described.

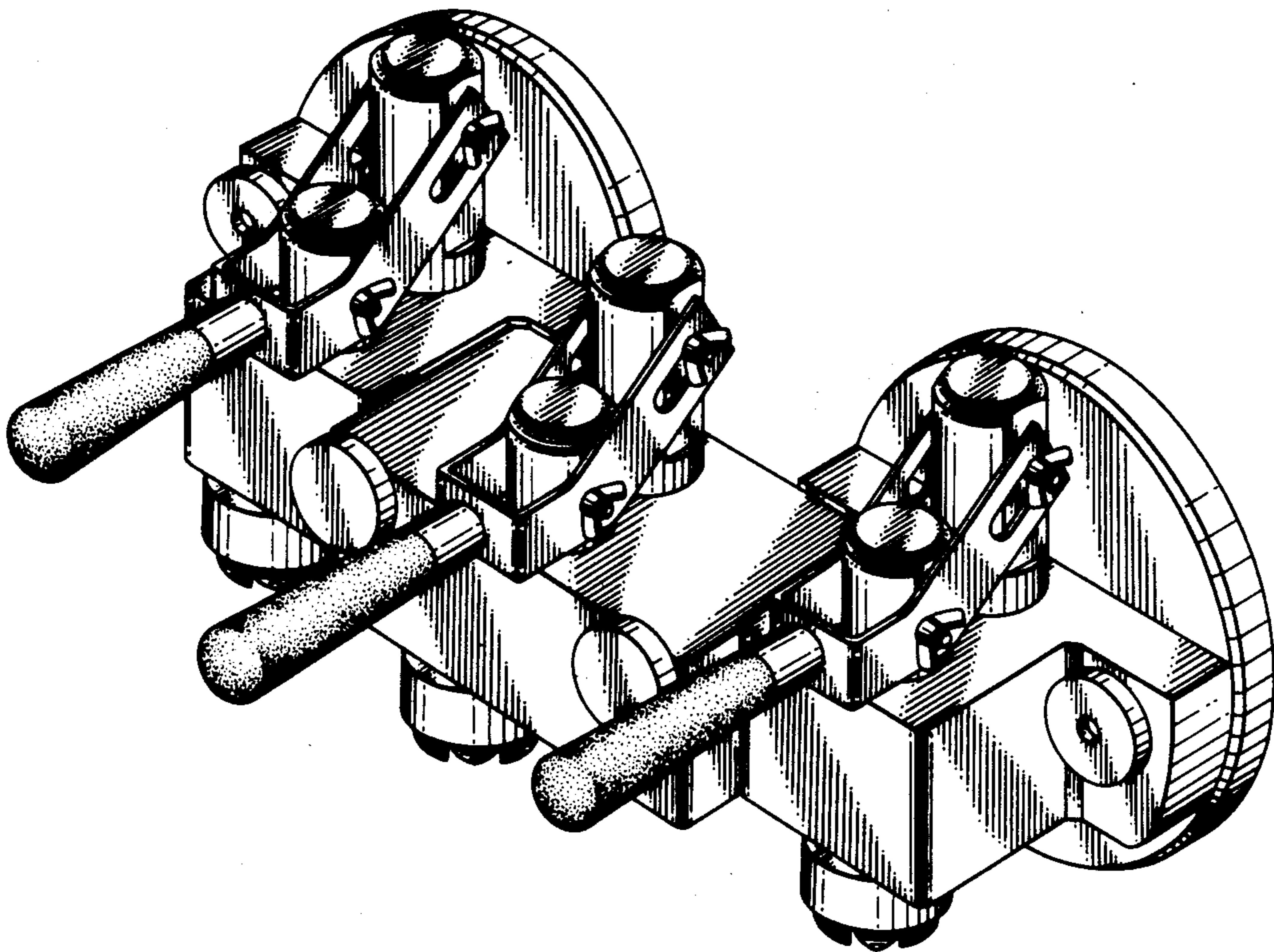
**DESCRIPTION**

FIG. 1 is a front perspective view of a combined front plate and dispensing unit for an ice cream freezer showing my new design.

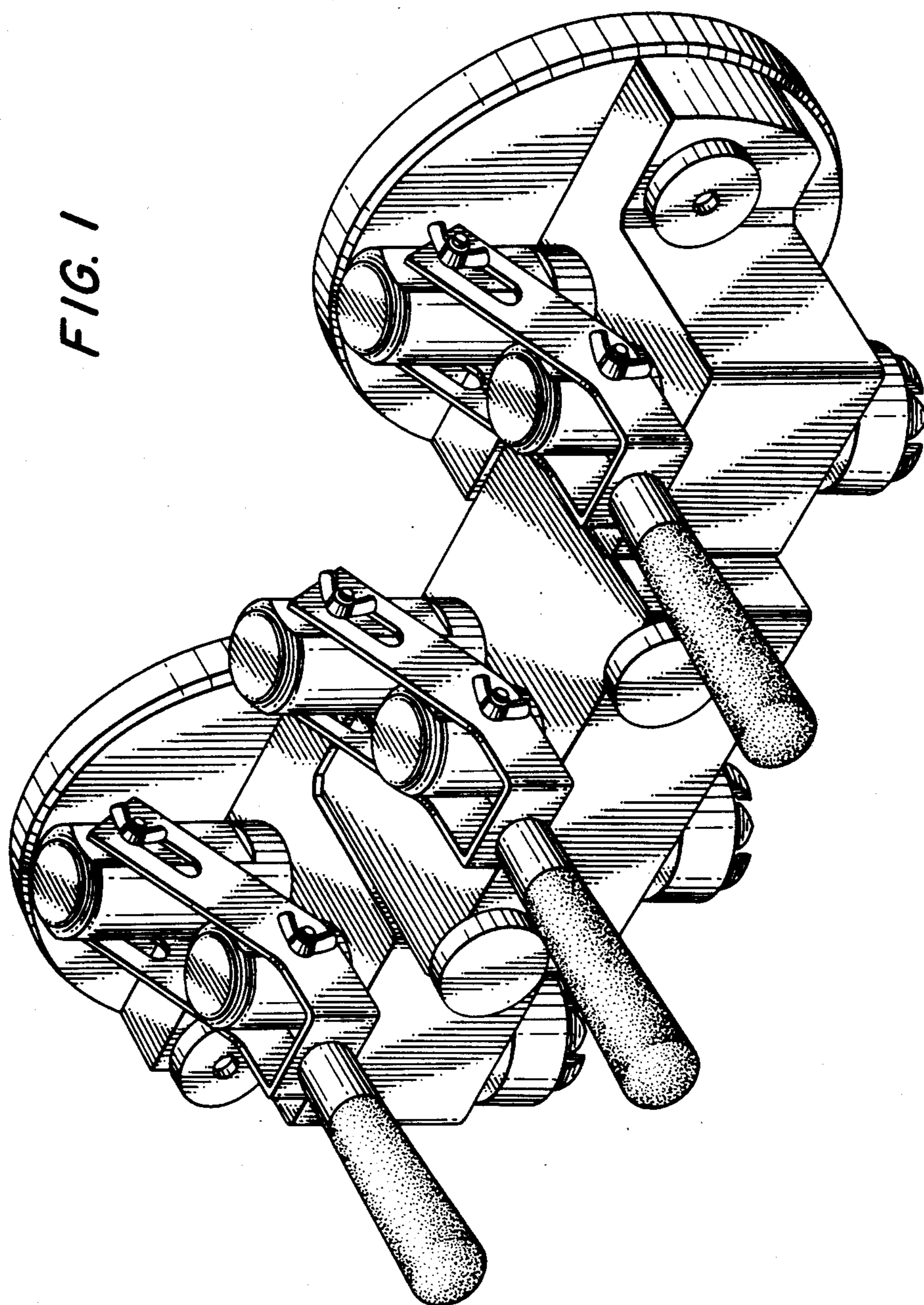
FIG. 2 is a bottom rear perspective view thereof.

FIG. 3 is a front elevational view of a combined front plate and dispensing unit for an ice cream freezer showing a second embodiment of my new design, the sole difference being that the present embodiment is made of transparent material; and

FIG. 4 is a side elevational view of FIG. 3.



*FIG. 1*





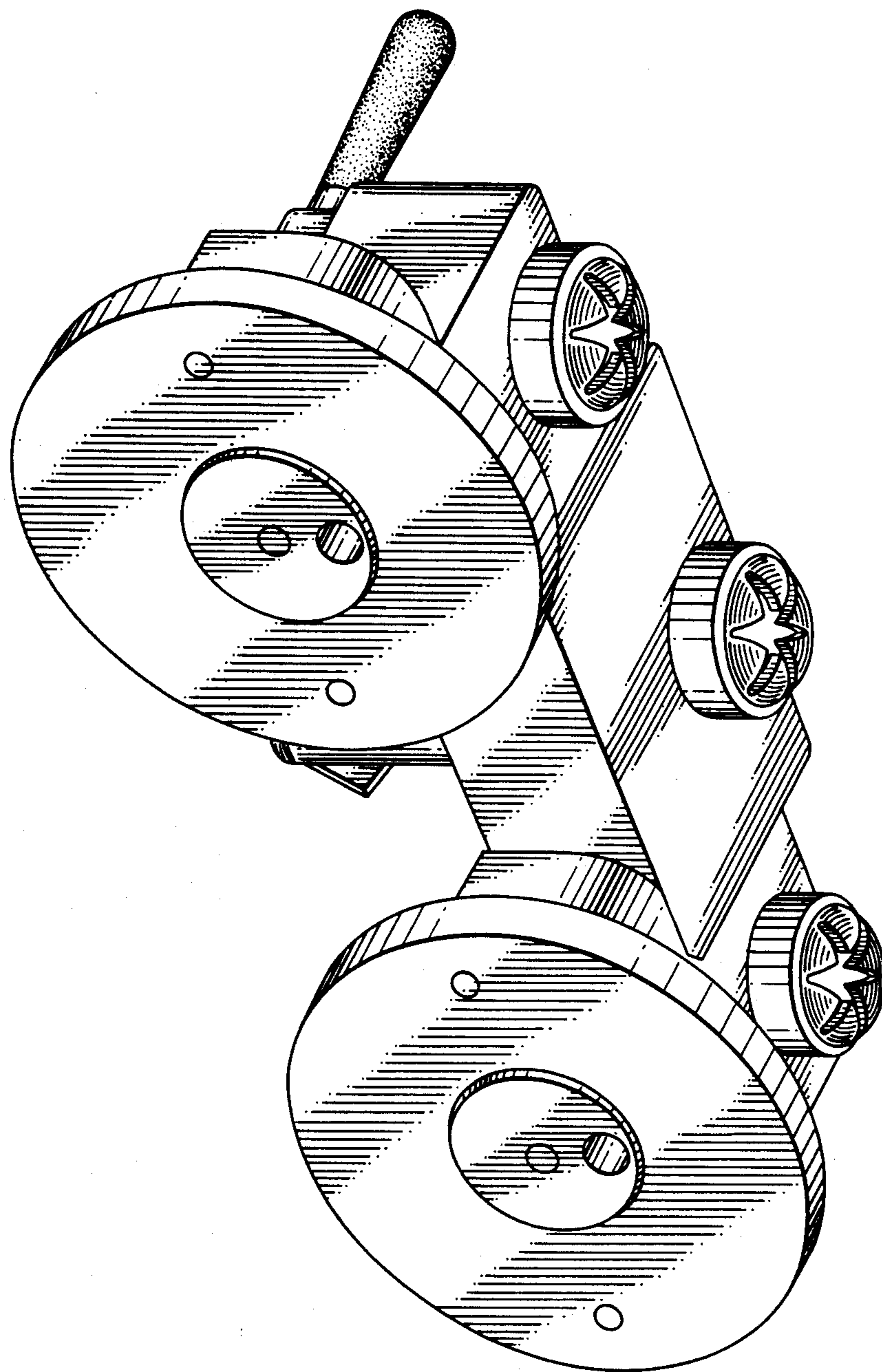
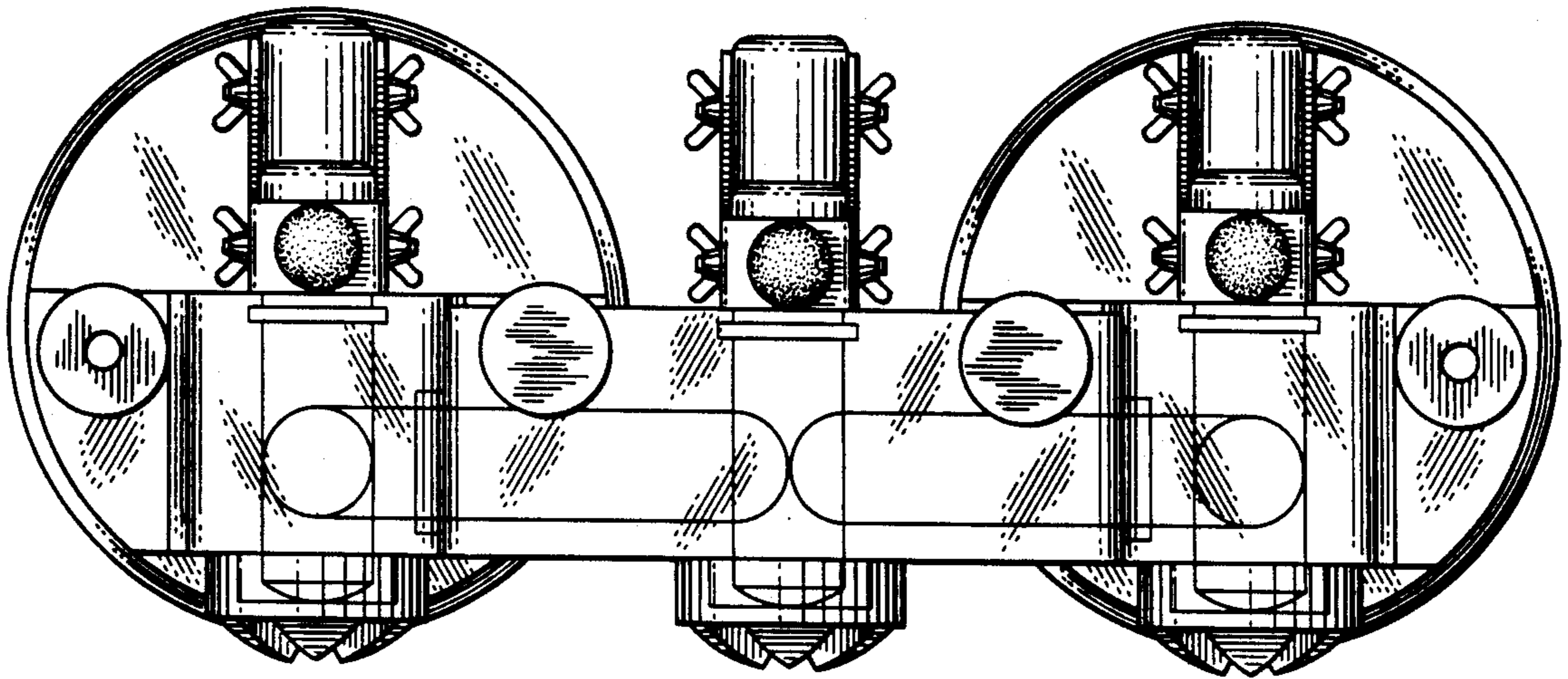
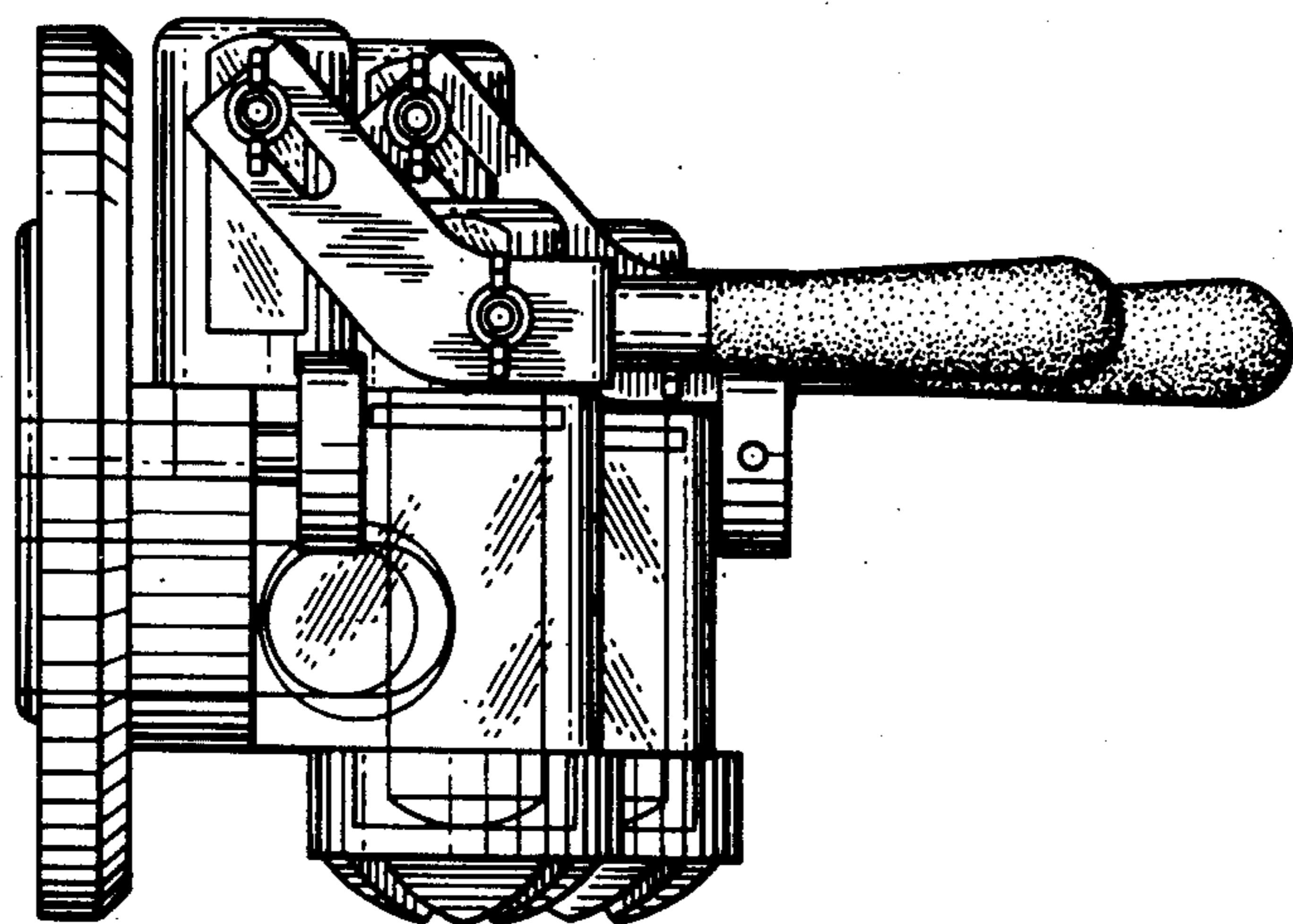


FIG. 2



*FIG. 3*



*FIG. 4*