

[54] IMPLEMENT HITCH

[76] Inventors: Truman L. Martin, 25657 U.S. 6 E Rte. 1, Nappanee, Ind. 46550; Joseph L. Slabach, Rte. 2, Milford, Ind. 46542

[\*\*] Term: 14 Years

[21] Appl. No.: 812,463

[22] Filed: Jul. 1, 1977

[51] Int. Cl. .... D15-03  
[52] U.S. Cl. .... D15/28  
[58] Field of Search ..... D15/28; D12/162; 280/405 B, 446 A, 456 A, 460 A, 479 A, 461 A, 490 A, 508, 477

[56] References Cited

U.S. PATENT DOCUMENTS

2,441,285	5/1948	Pfeiffer .....	280/508
2,947,369	8/1960	Smith et al. ....	280/460 A
3,161,422	12/1964	Wade .....	280/508

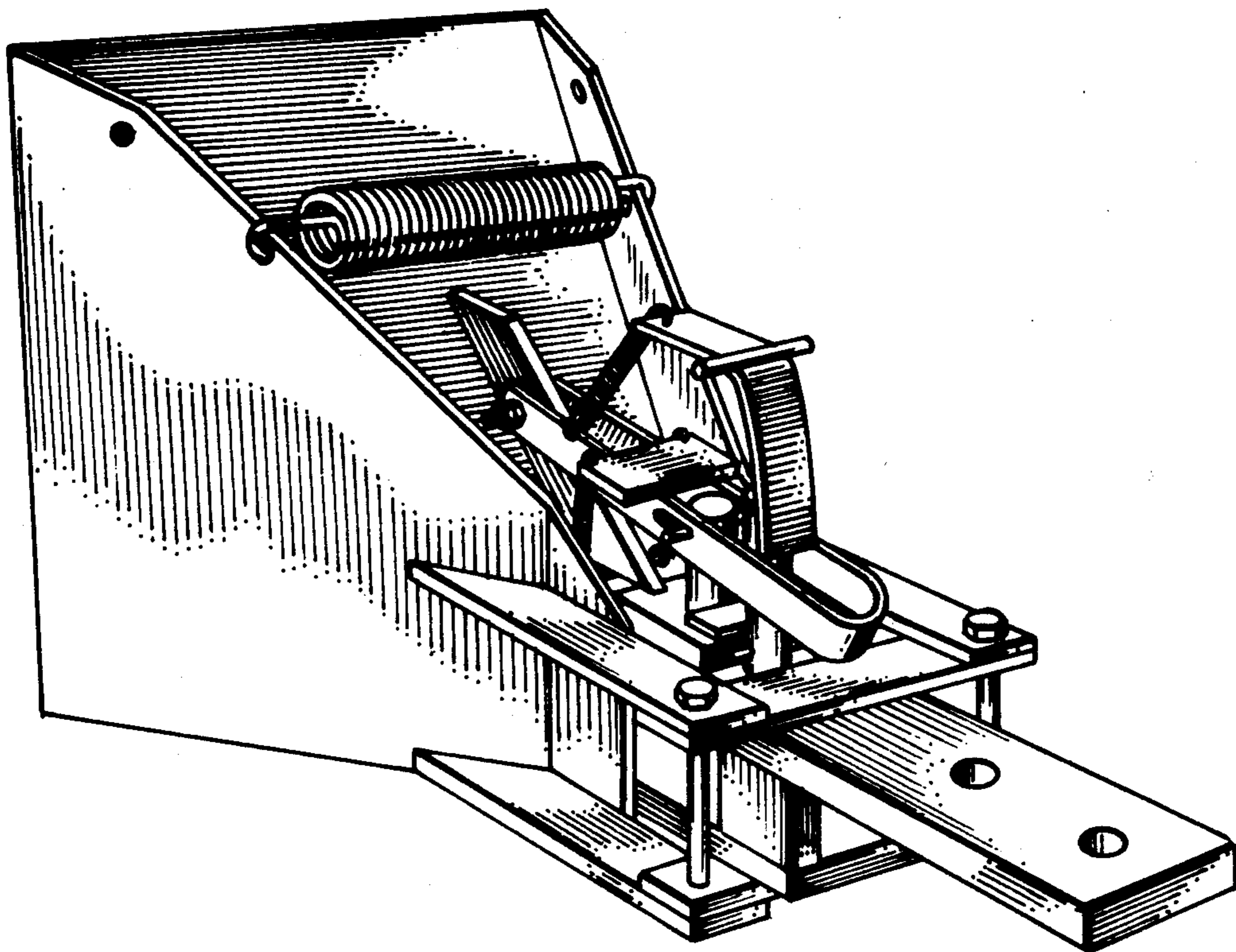
Primary Examiner—James M. Gandy  
Attorney, Agent, or Firm—Marmaduke A. Hobbs

[57] CLAIM

The ornamental design for an implement hitch, substantially as shown.

DESCRIPTION

FIG. 1 is a perspective view of an implement hitch embodying the present design;  
FIG. 2 is a top plan view thereof;  
FIG. 3 is a side elevational view thereof opposite to that shown in FIG. 1;  
FIG. 4 is a bottom plan view thereof;  
FIG. 5 is an end elevational view thereof; and  
FIG. 6 is an end elevational view thereof opposite to that shown in FIG. 5.



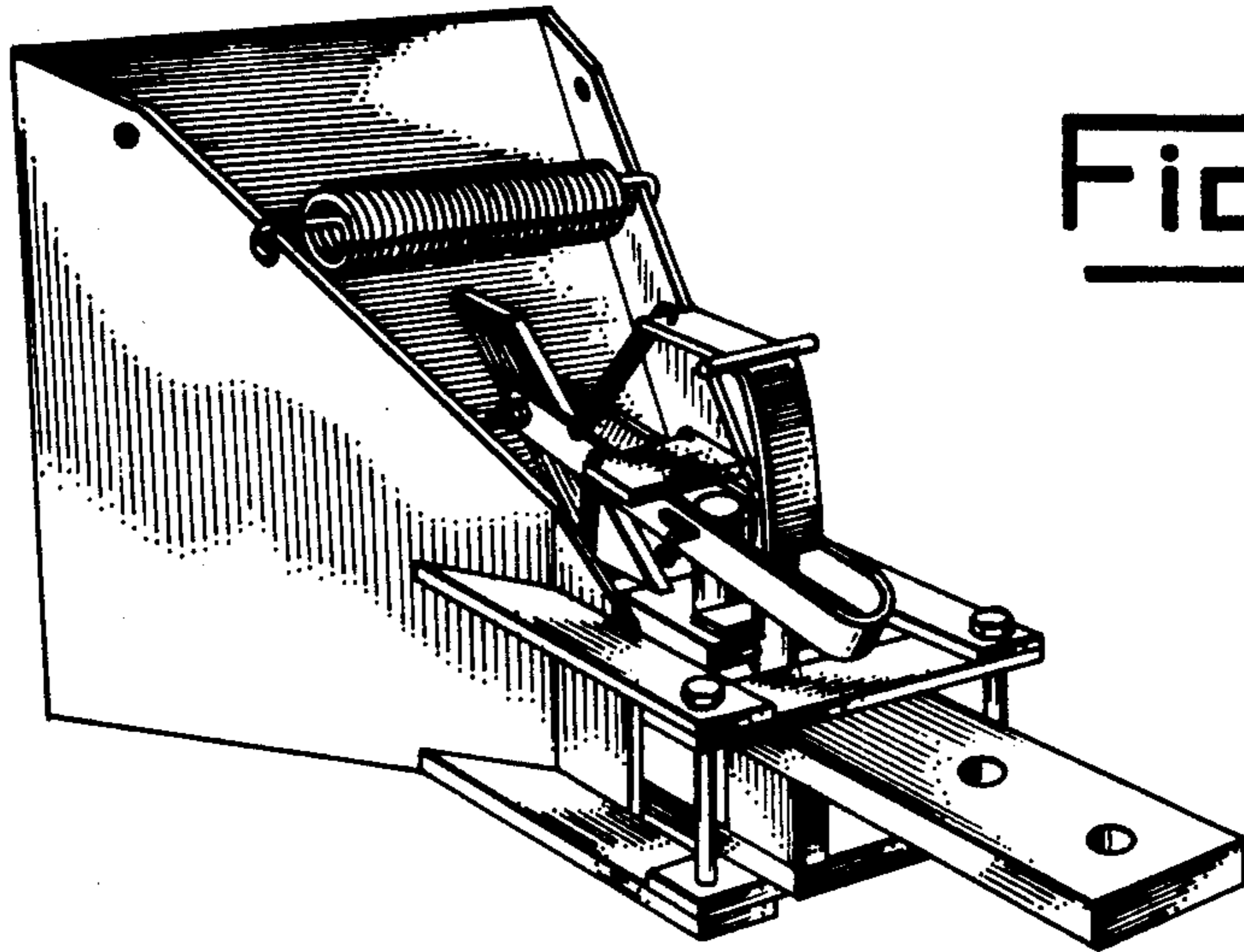


Fig. 1

Fig. 2

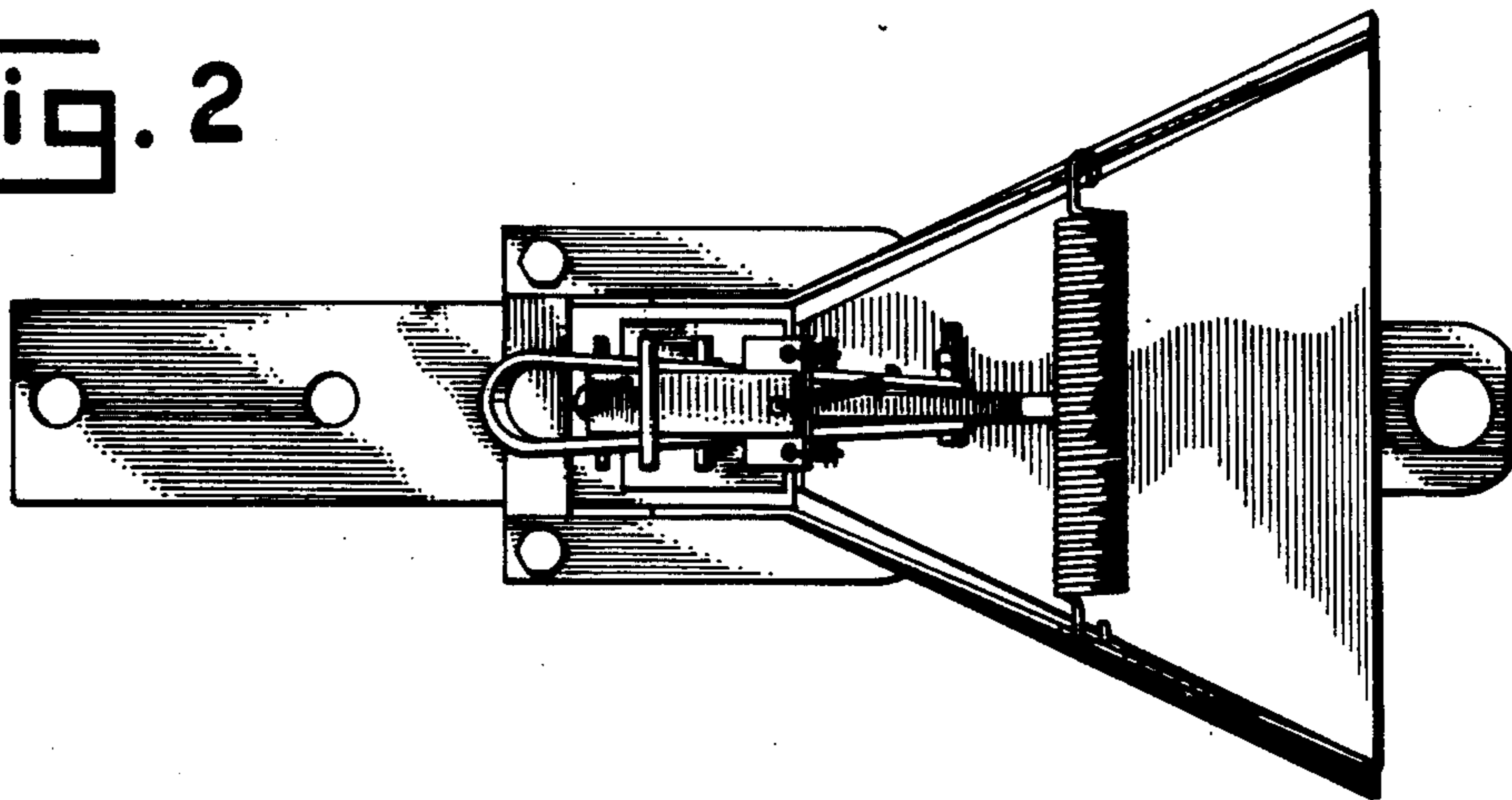


Fig. 3

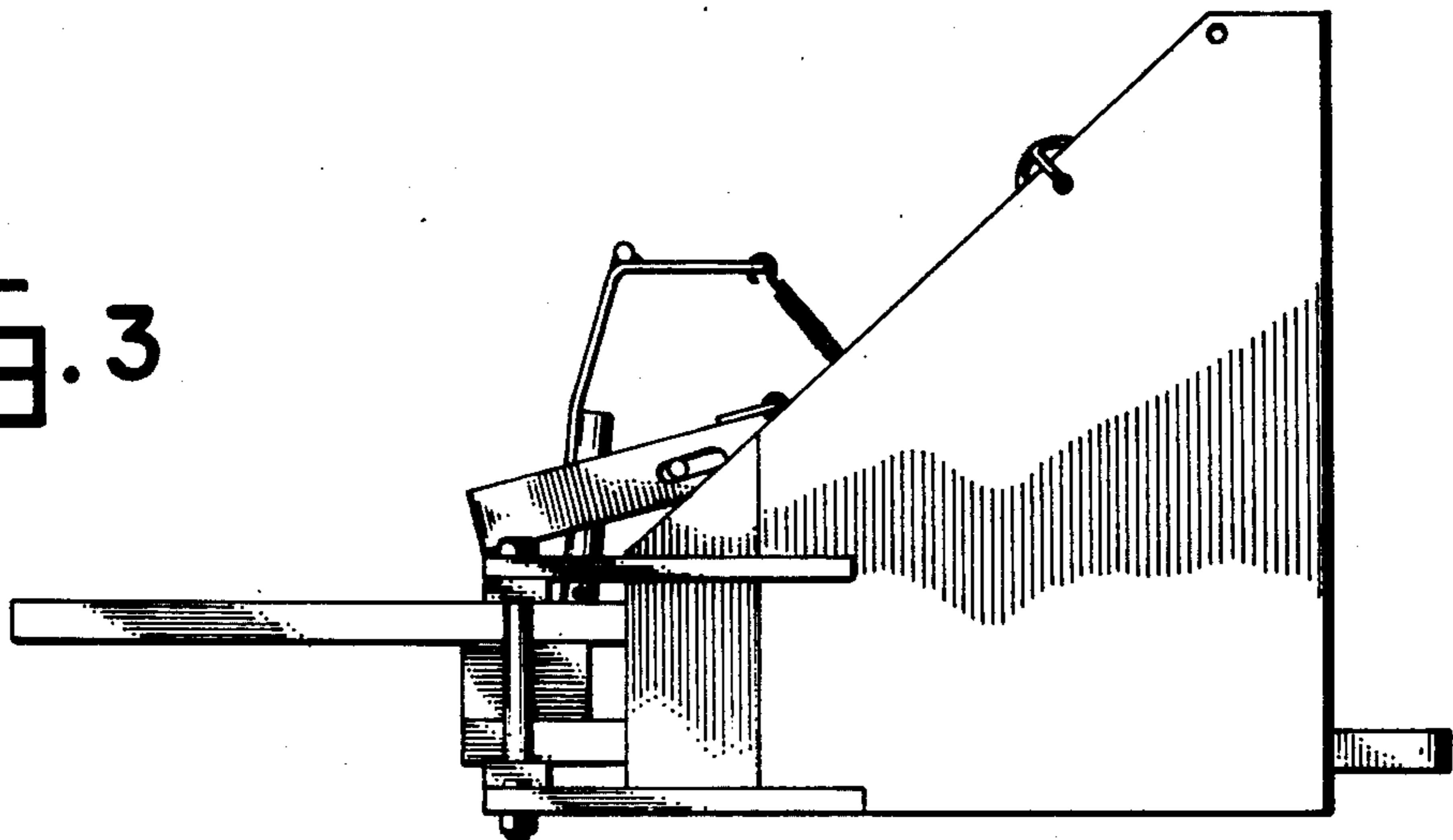


Fig. 4

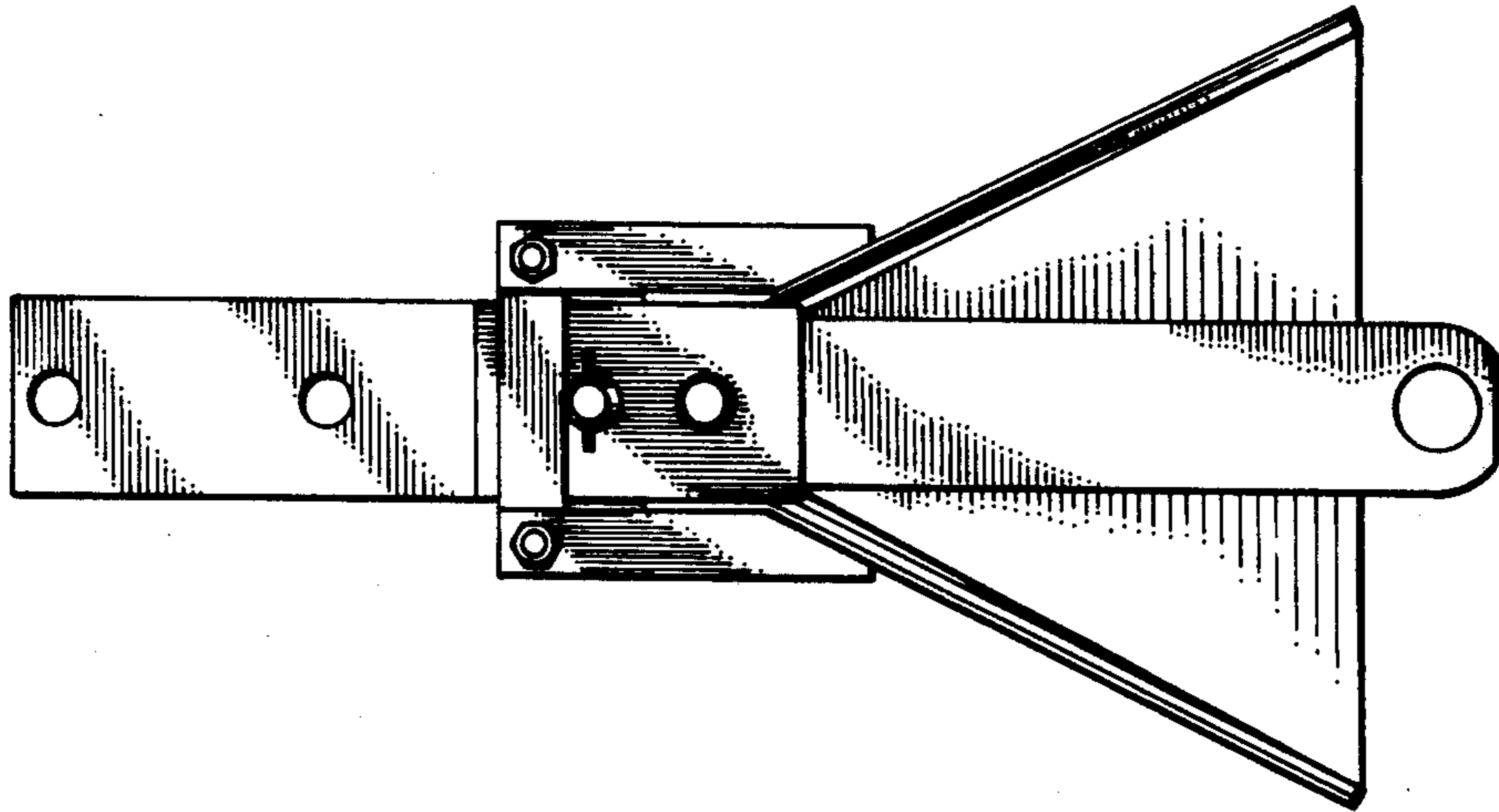


Fig. 5

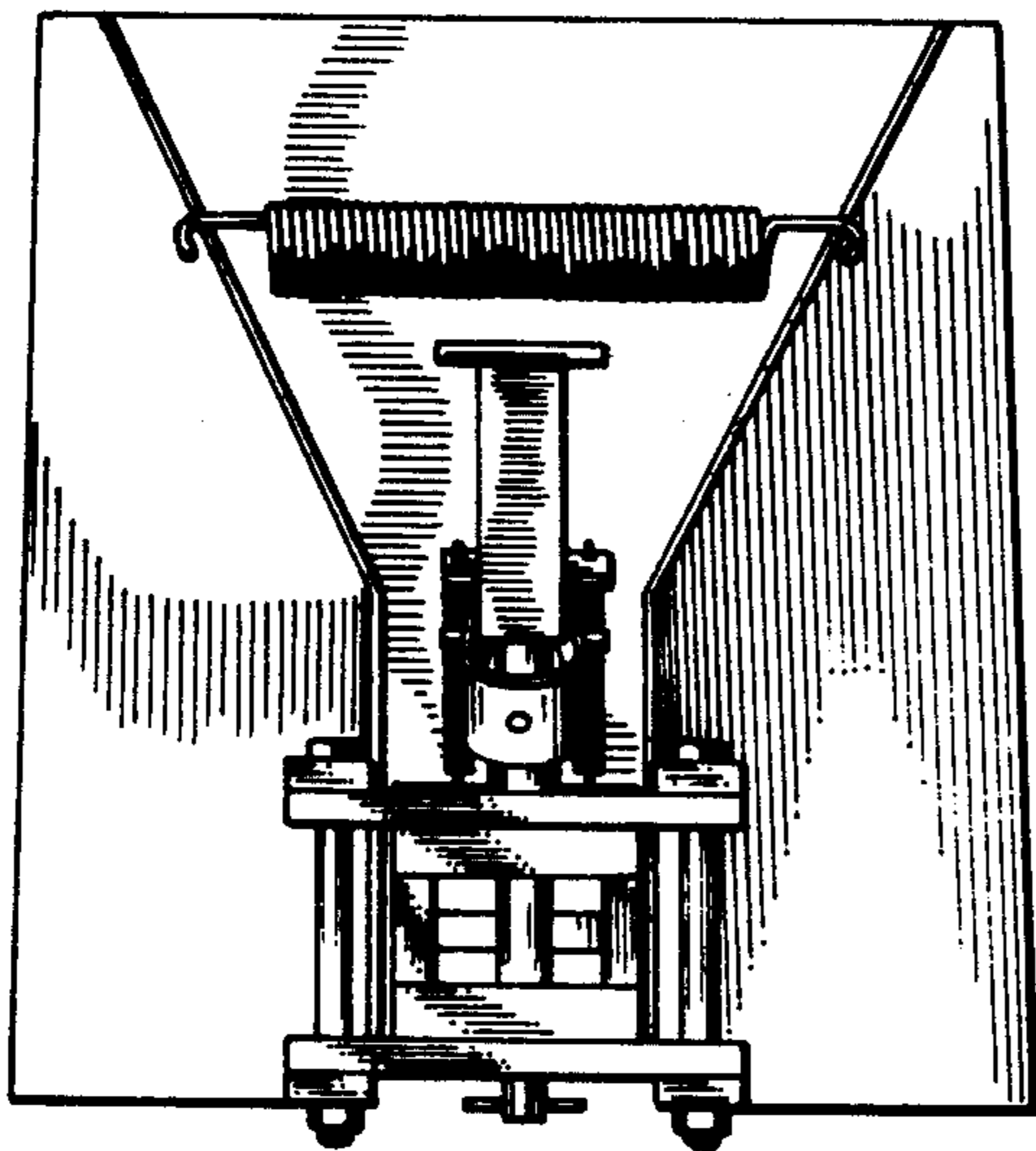


Fig. 6

