

[54] ENDLESS TRACK LOADER VEHICLE

[75] Inventors: Donald E. Joupperi, Davenport, Iowa; James A. Berkel, Jr.; Robert F. Shankwitz, both of Edelstein, Ill.

[73] Assignee: Caterpillar Tractor Co., Peoria, Ill.

[\*\*] Term: 14 Years

[21] Appl. No.: 815,112

[22] Filed: Jul. 13, 1977

[51] Int. Cl. .... D15-04

[52] U.S. Cl. .... D15/24; D12/25

[58] Field of Search ..... D15/24, 25; 214/145 R, 214/140, 131 R; 180/9.2, 9.5, 89.1, 89.12; 296/28 R; 37/118 R, 118 A

[56] References Cited

U.S. PATENT DOCUMENTS

D. 164,896 10/1951 Beyerstedt ..... D15/24  
D. 230,621 3/1974 Conroy et al. .... D15/24

OTHER PUBLICATIONS

Construction Methods & Equipment, 7/75, p. 51, endless track loader vehicle, bottom of page.

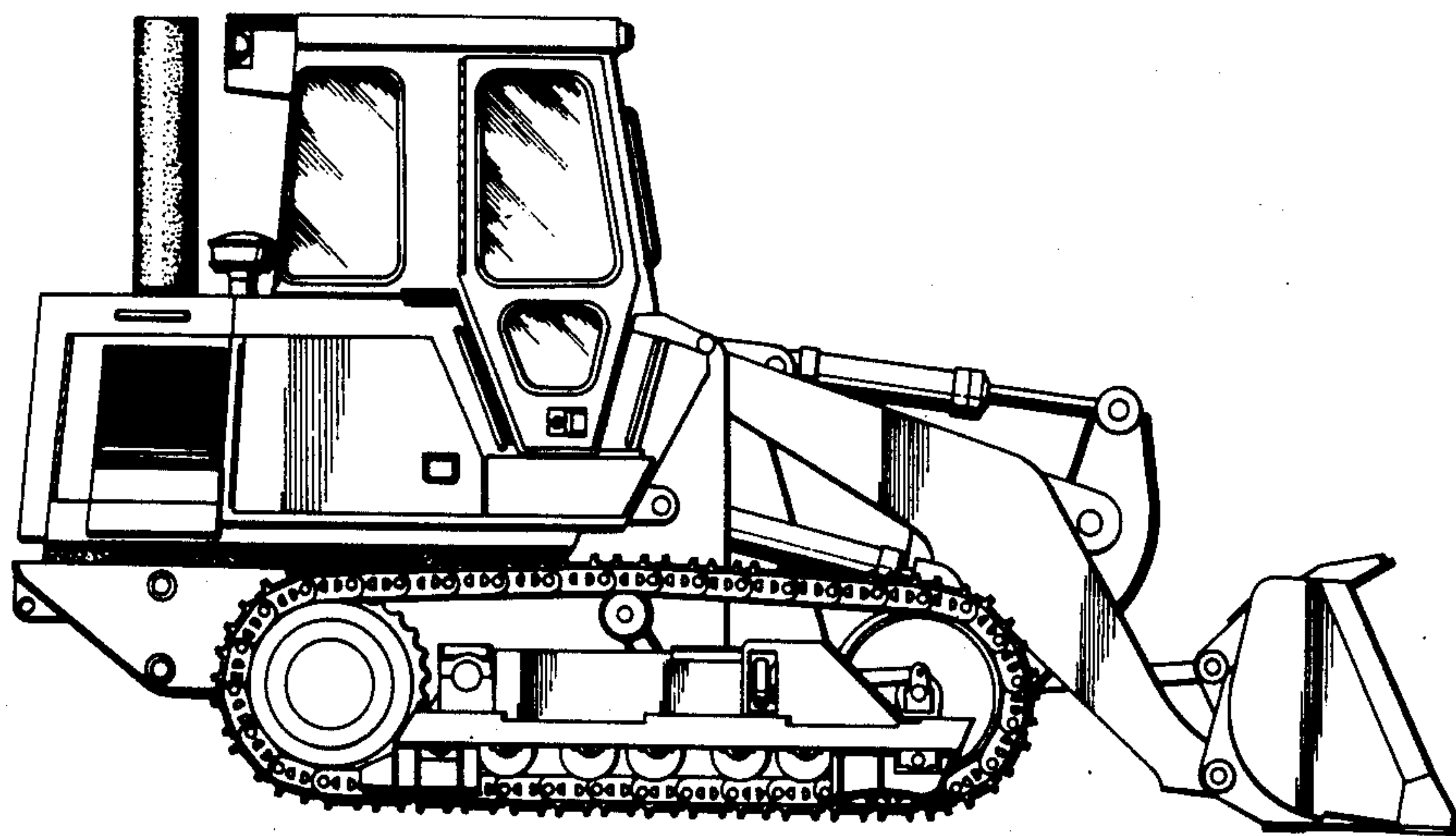
Primary Examiner—James M. Gandy  
Attorney, Agent, or Firm—Ralph E. Walters

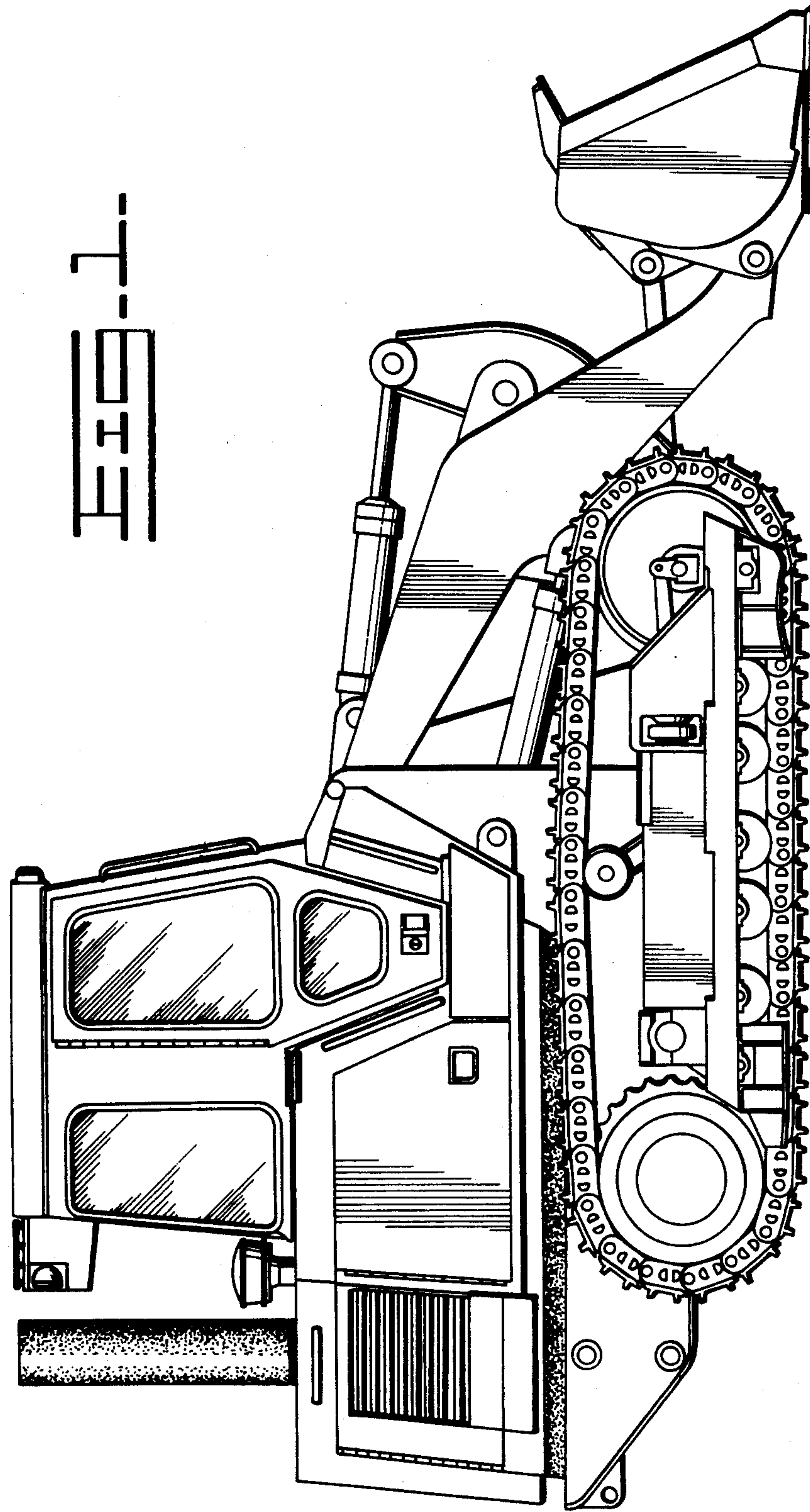
[57] CLAIM

The ornamental design for an endless track loader vehicle, substantially as shown.

DESCRIPTION

FIG. 1 is a right side elevational view of an endless track loader vehicle embodying our new design;  
FIG. 2 is a left side elevational view thereof;  
FIG. 3 is a front elevational view thereof;  
FIG. 4 is a rear elevational view thereof;  
FIG. 5 is a top plan view thereof;  
FIG. 6 is a bottom plan view thereof.





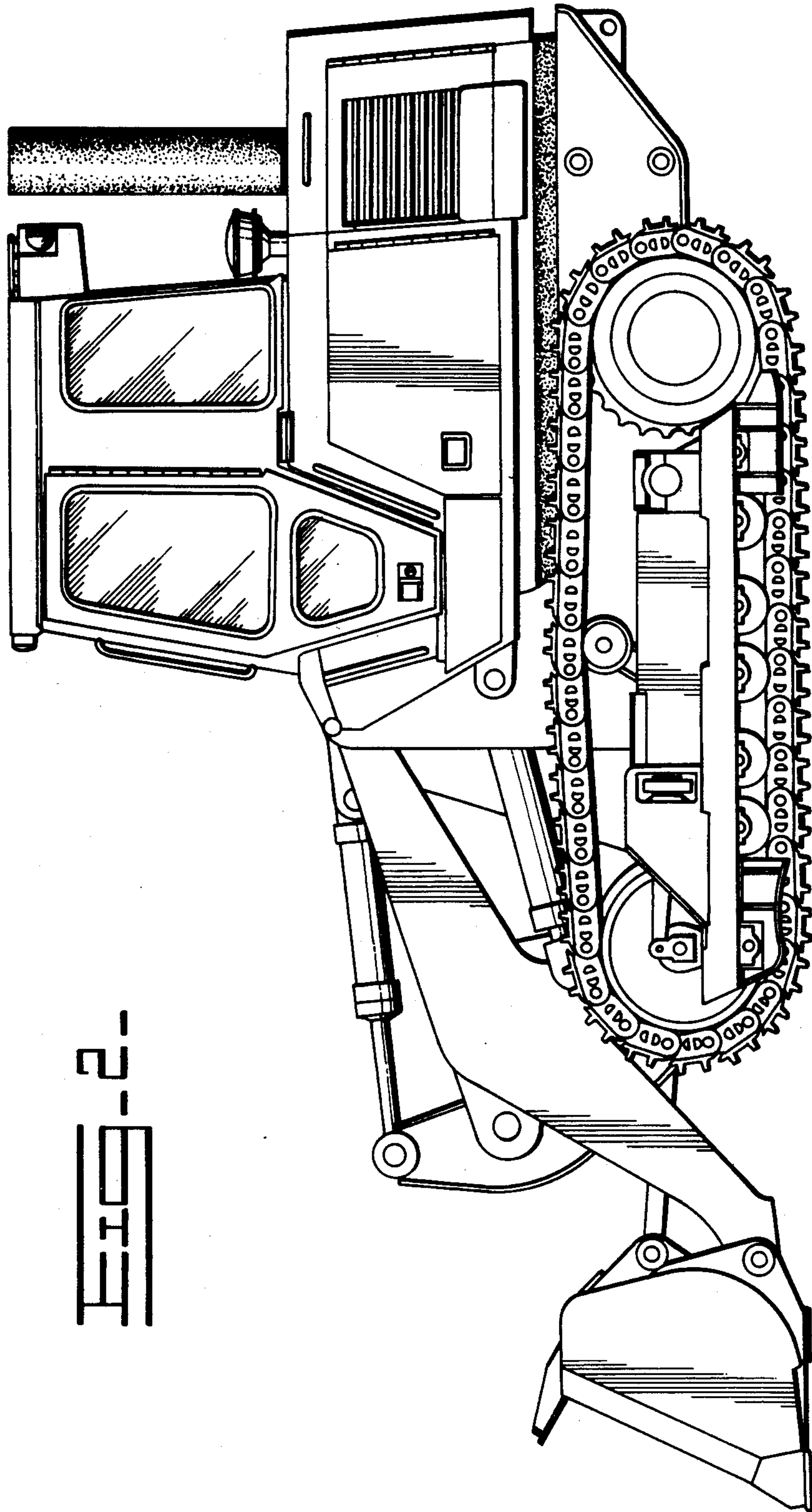


FIG. 2-



FIG. 4

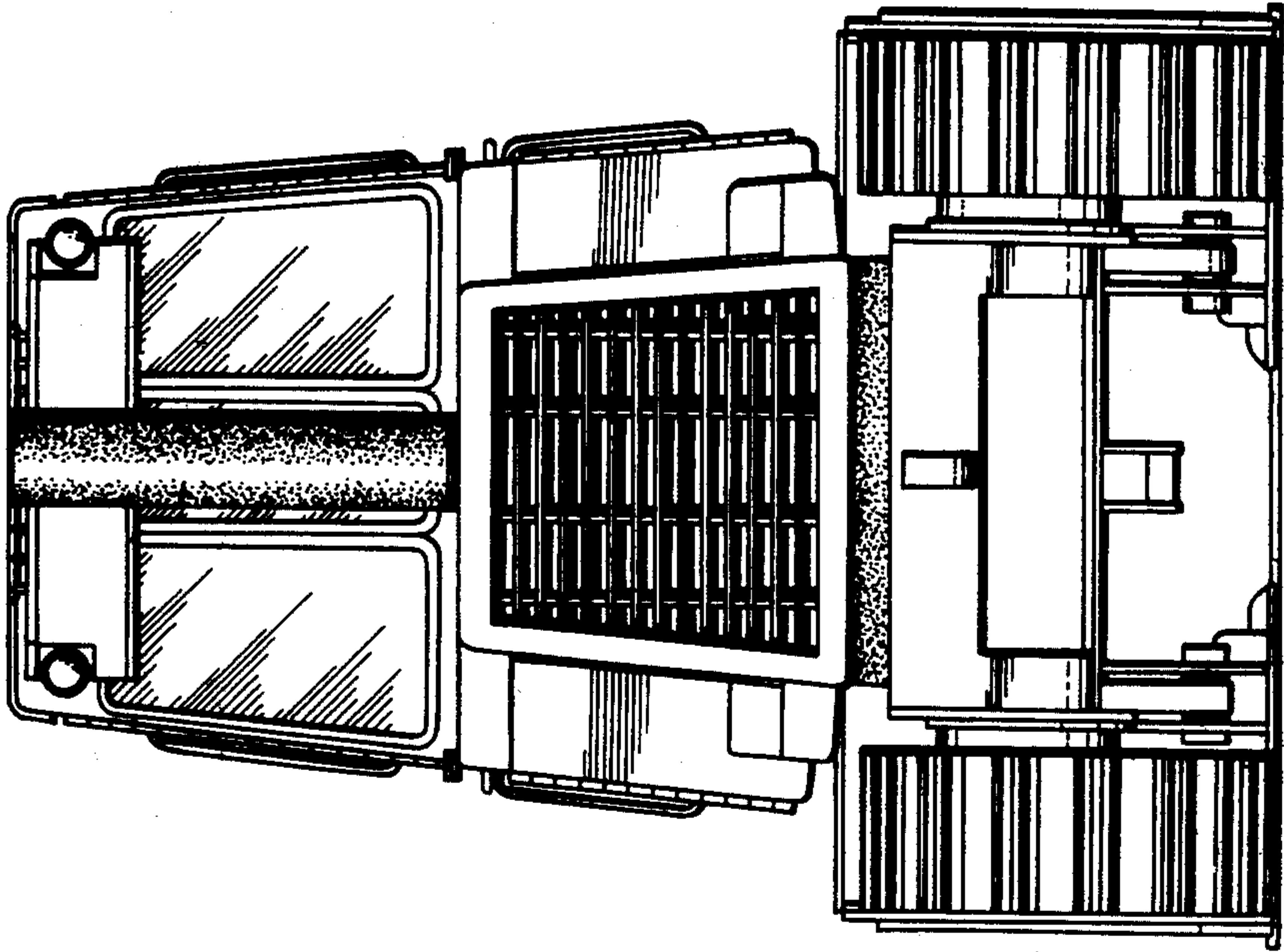


FIG. 3

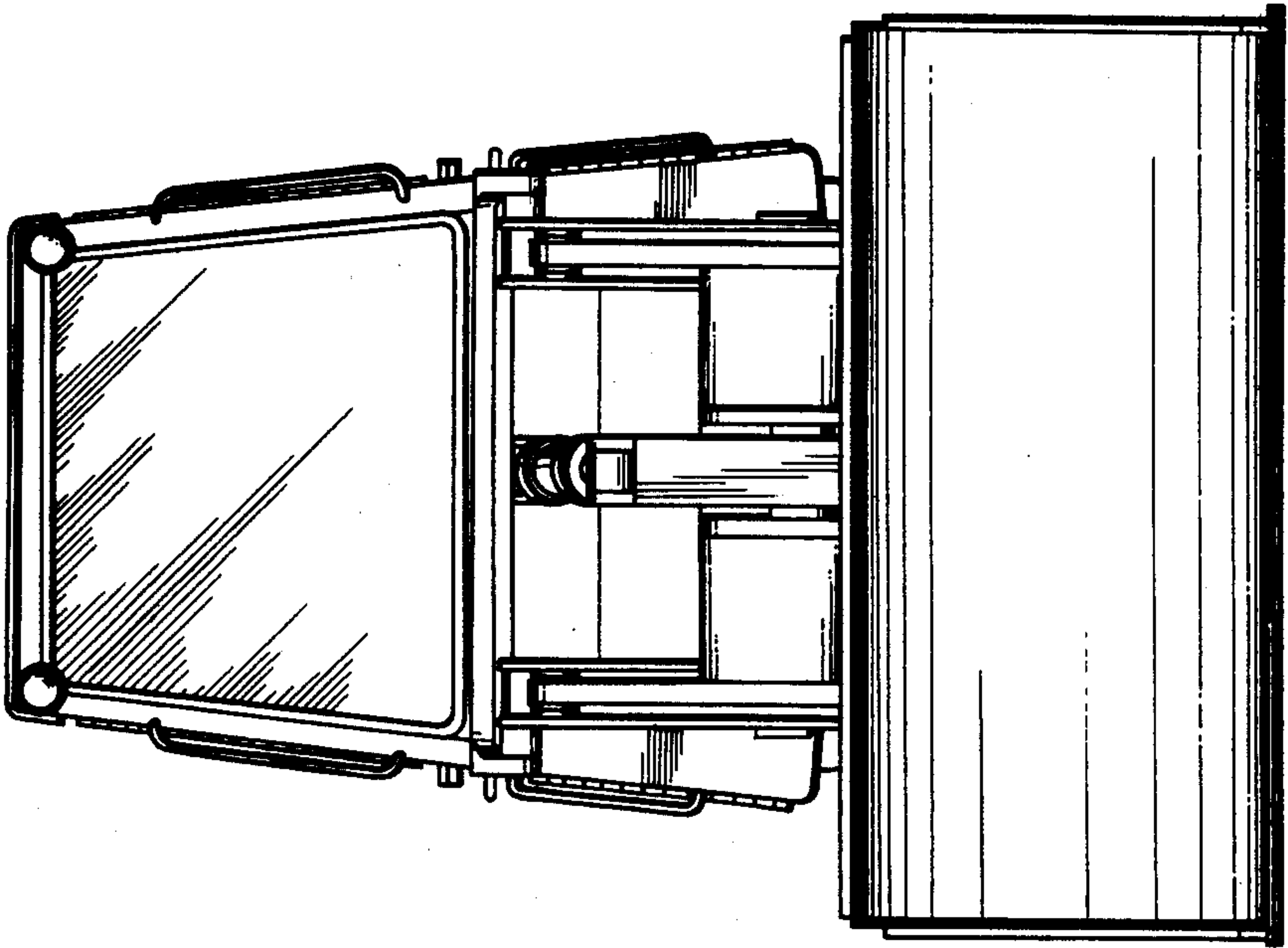


FIG. 5

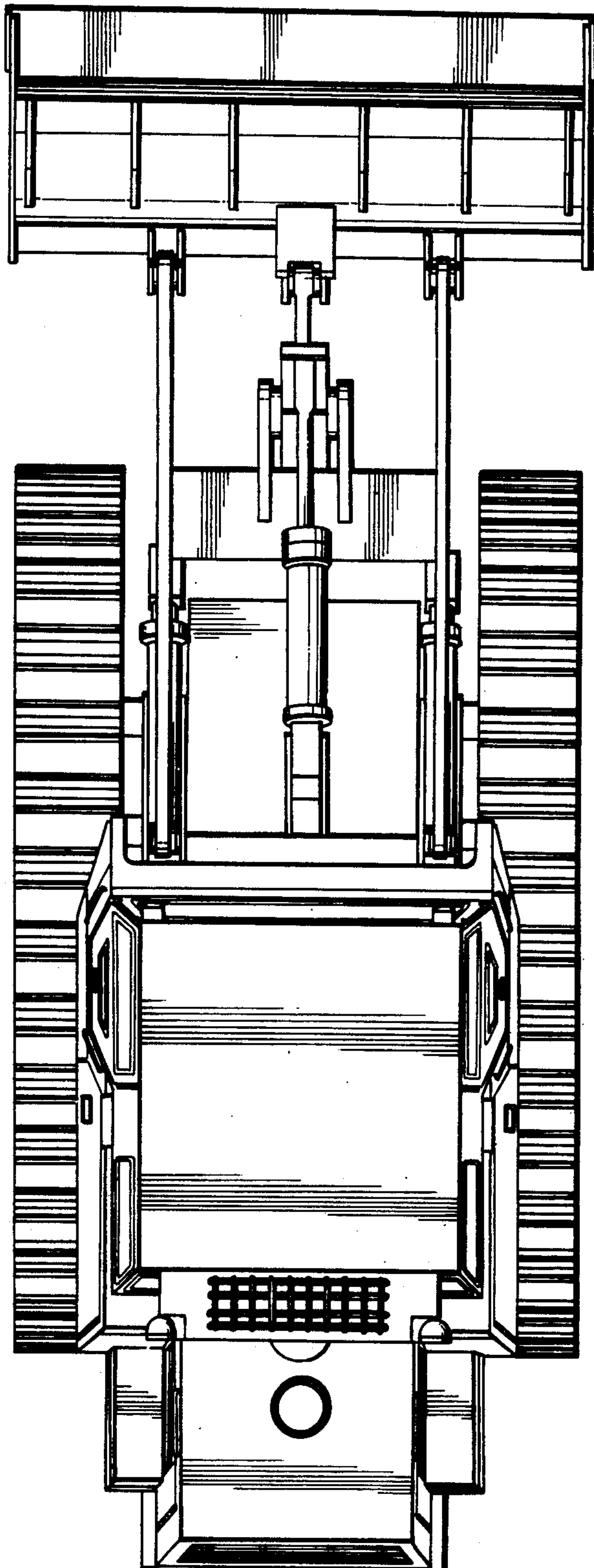


FIG. 5

