

[54] SAILING BOAT

[75] Inventor: Peter A. Milne, Chichester, England

[73] Assignee: Richmond Marine Limited, Twickenham, England

[**] Term: 14 Years

[21] Appl. No.: 727,441

[22] Filed: Sep. 28, 1976

[51] Int. Cl. D12-06

[52] U.S. Cl. D12/64

[58] Field of Search D12/64, 62; 114/39

[56] References Cited

U.S. PATENT DOCUMENTS

D. 220,135 3/1971 Milne D12/62

D. 229,238 11/1973 Milne D12/62

Primary Examiner—Alan P. Douglas
Attorney, Agent, or Firm—Donald M. Wight

[57] CLAIM

The ornamental design for a sailing boat, substantially as shown.

DESCRIPTION

FIG. 1 is a side view of a sailing boat embodying my new design;

FIG. 2 is an underneath plan view thereof;

FIG. 3 is a top plan view thereof;

FIG. 4 is a cross sectional side view on the line 4—4 in FIG. 3;

FIG. 5 is a front view thereof;

FIG. 6 is a rear view thereof;

FIG. 7 is a cross-sectional end view on the line 7—7 in FIG. 3;

FIG. 8 is a cross-sectional end view on the line 8—8 in FIG. 3.

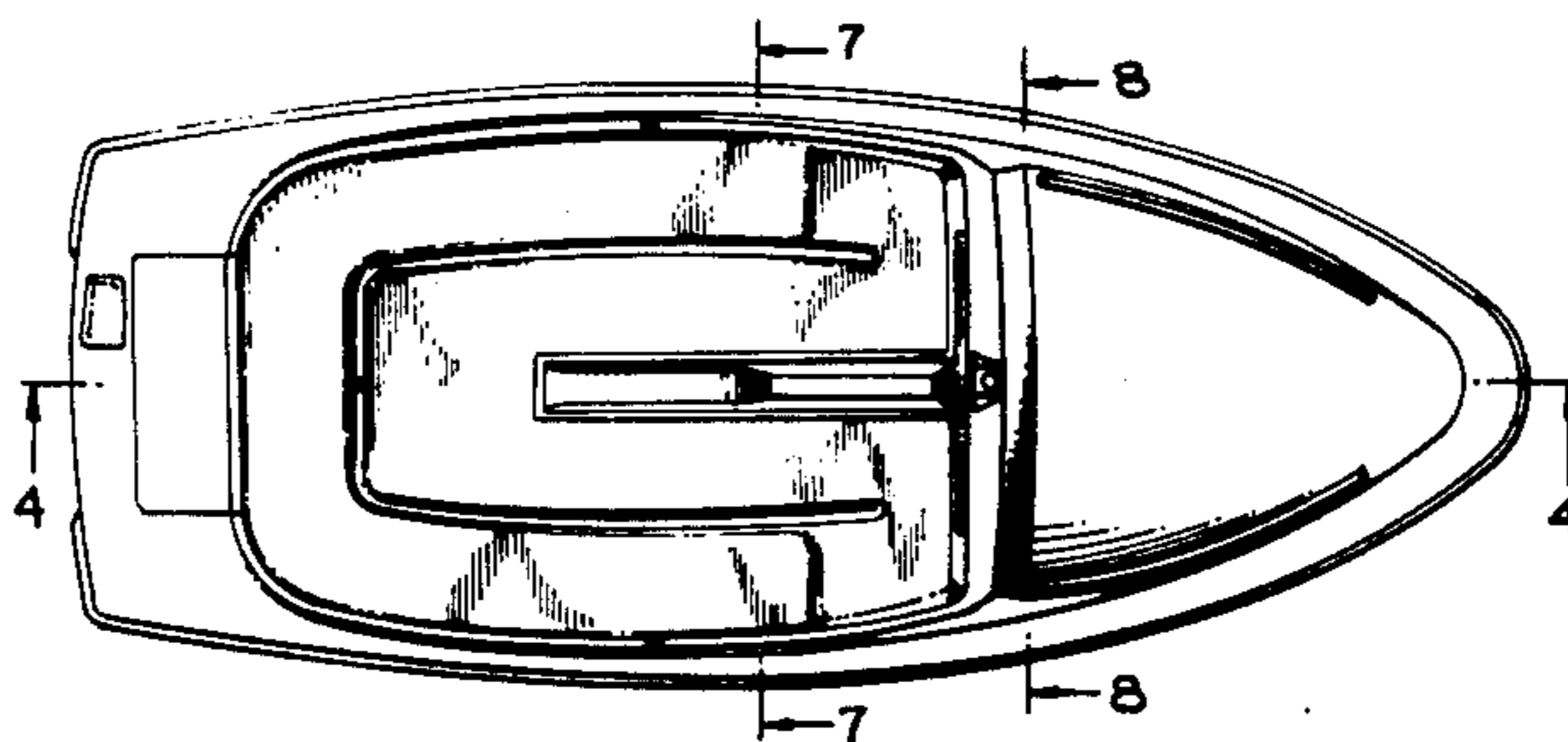


FIG. 1

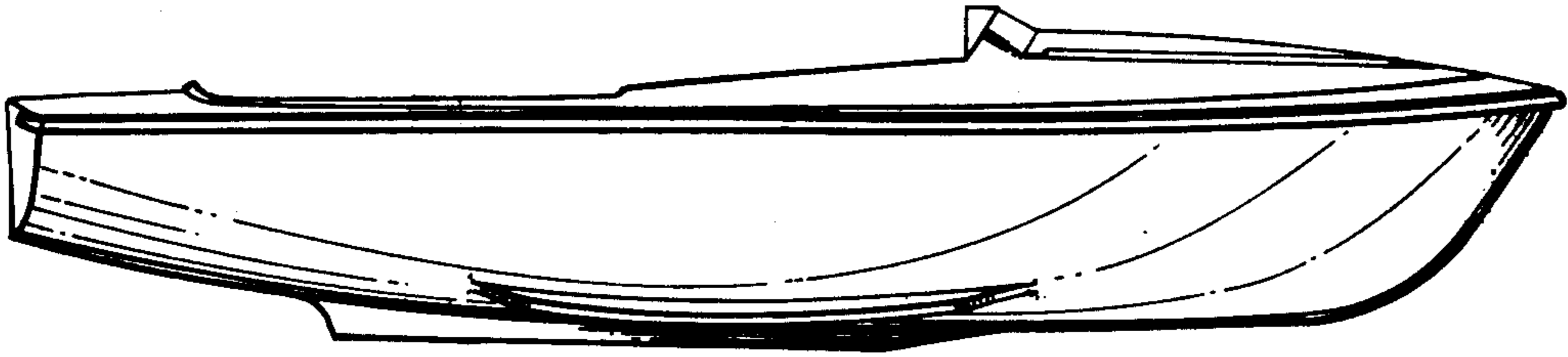


FIG. 2

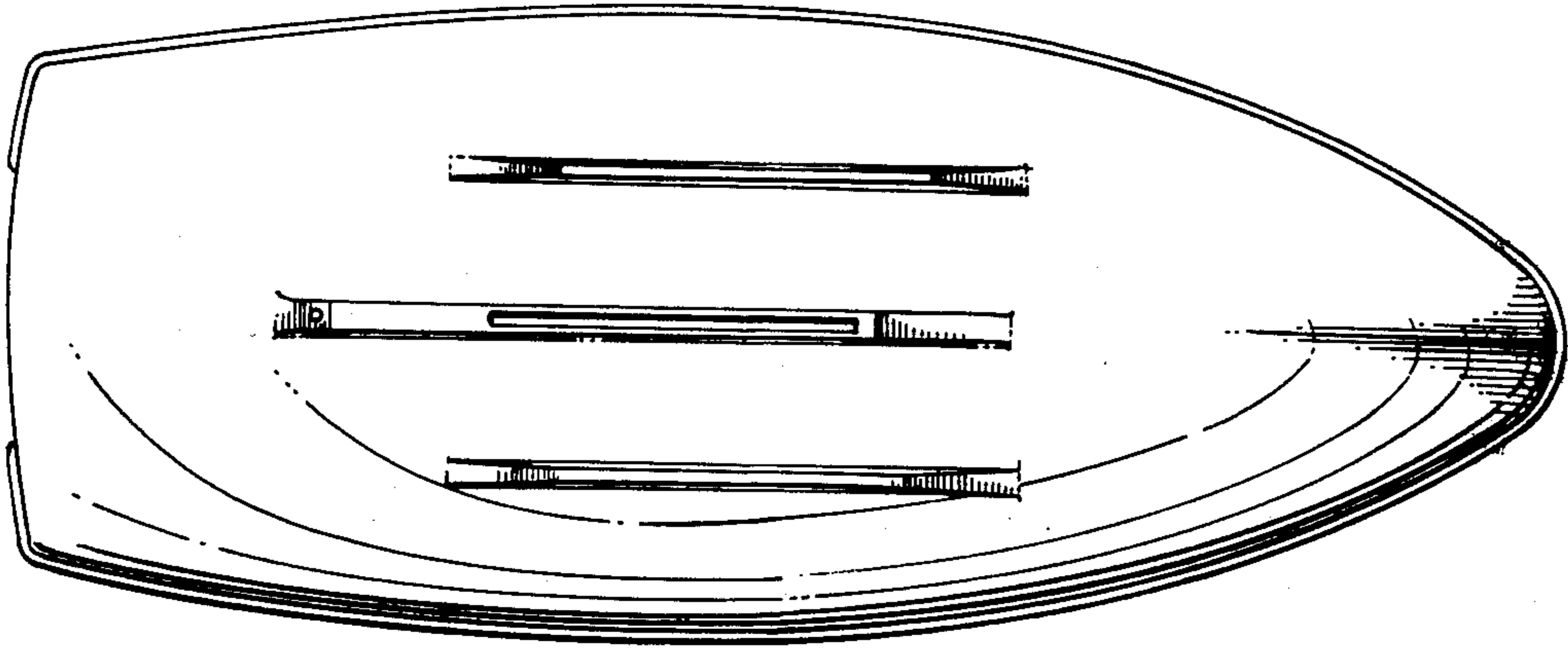


FIG. 3

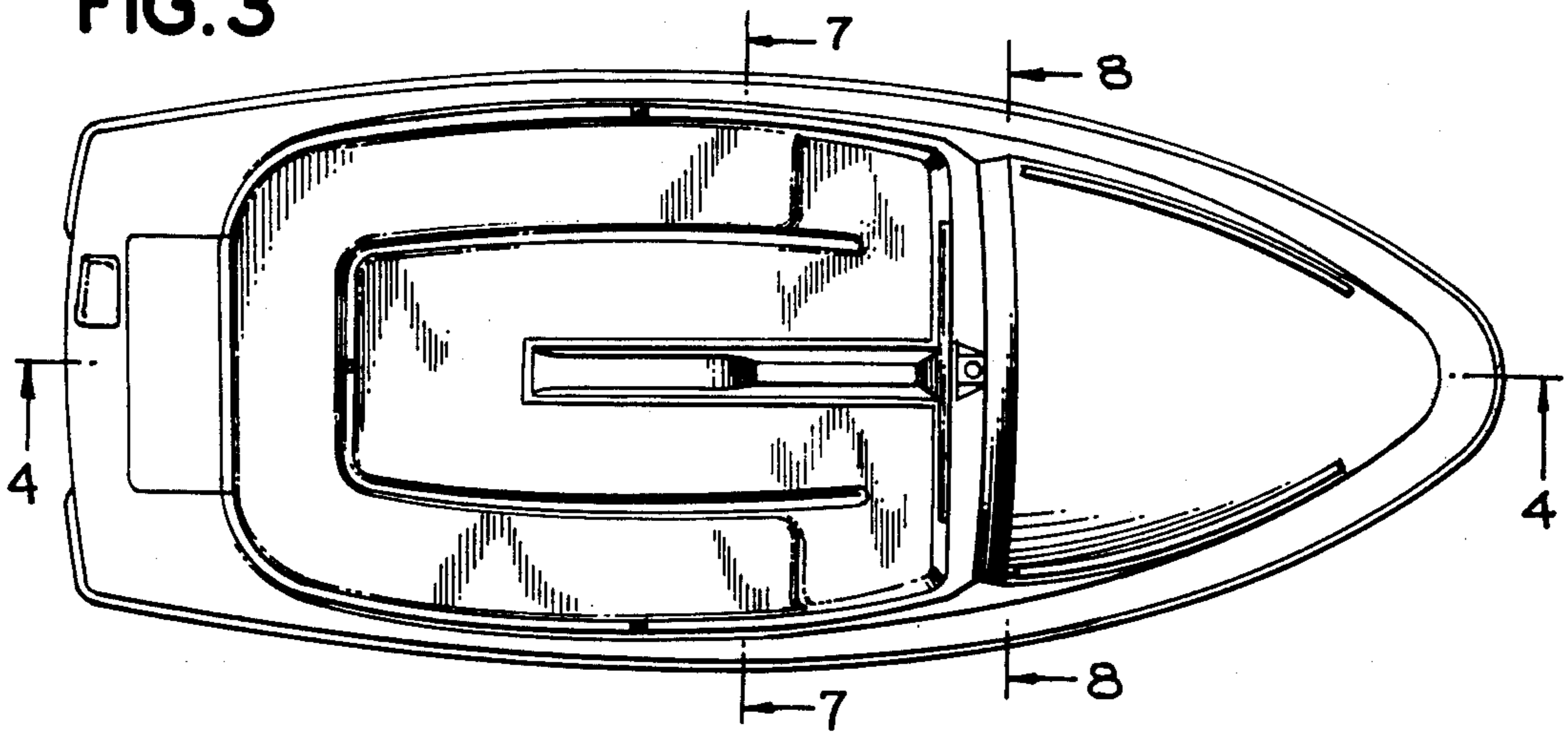


FIG.4

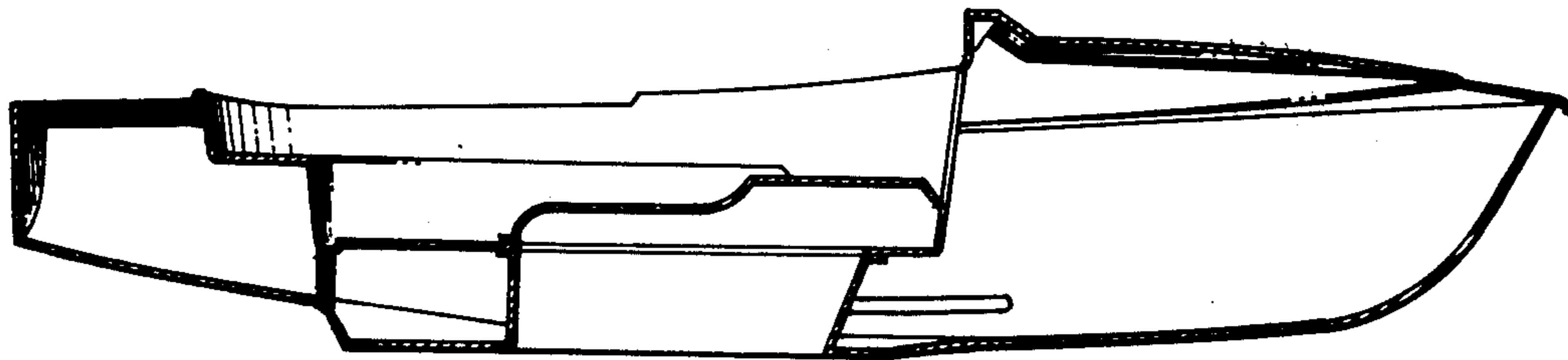


FIG.5

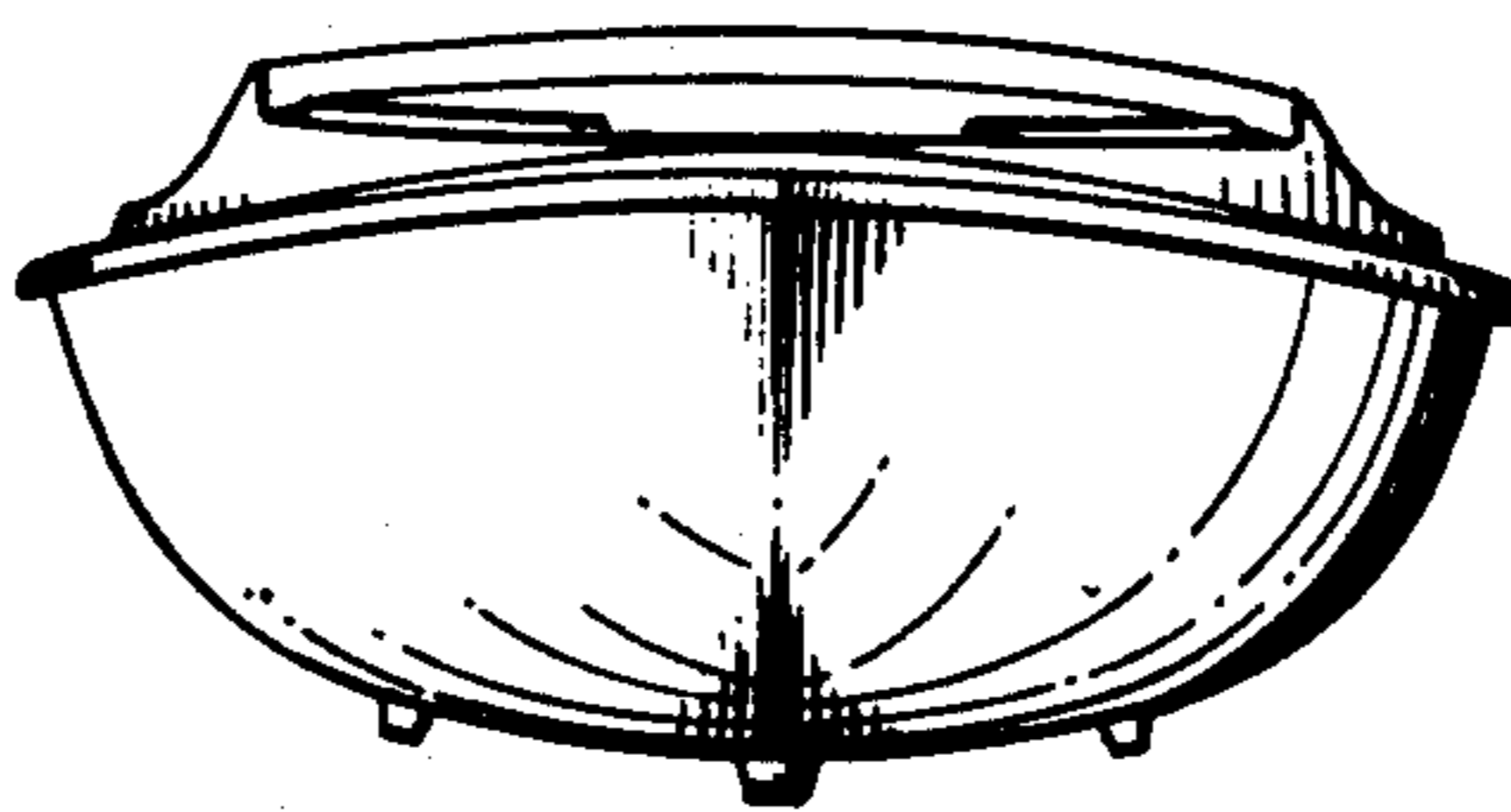


FIG.6

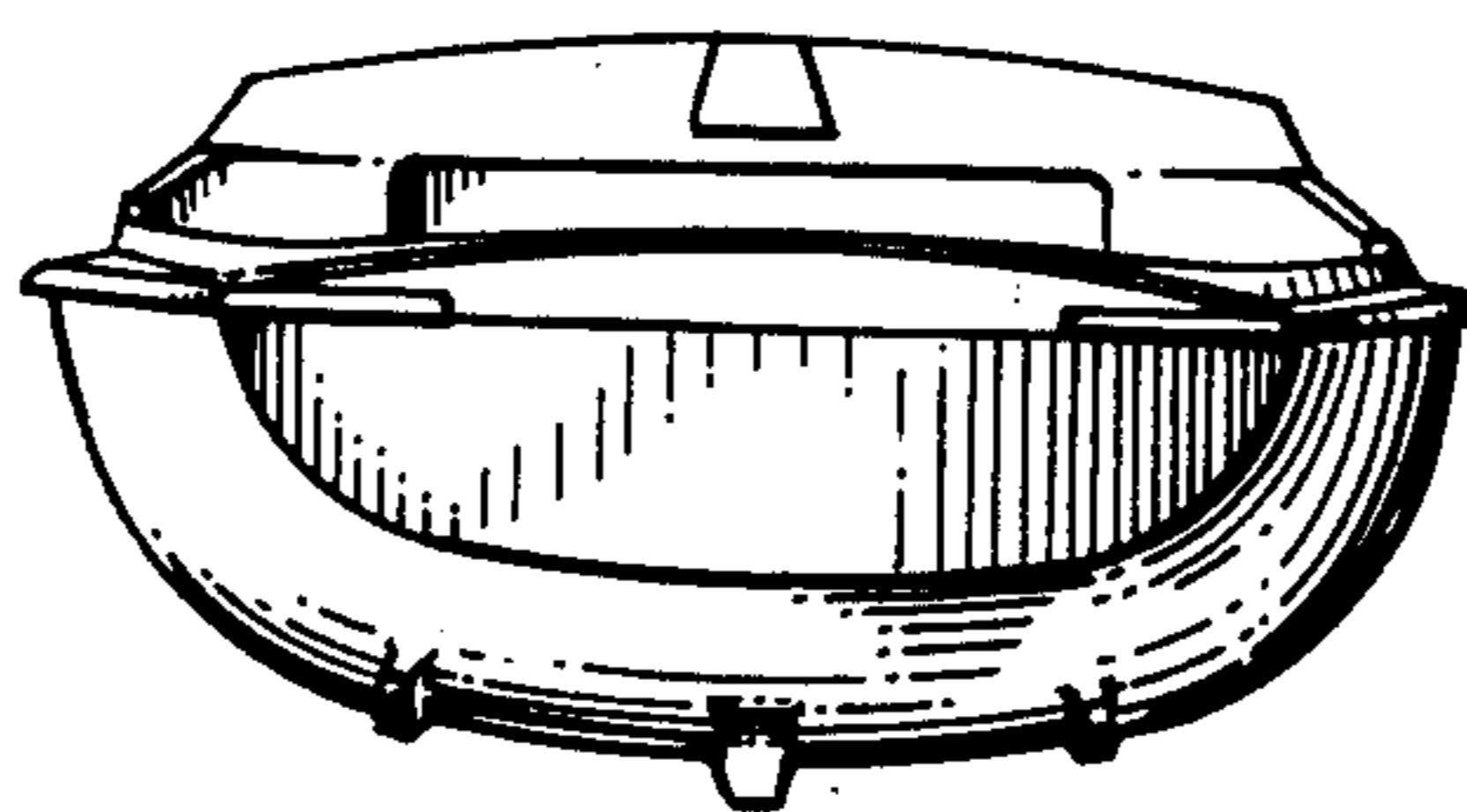


FIG.7

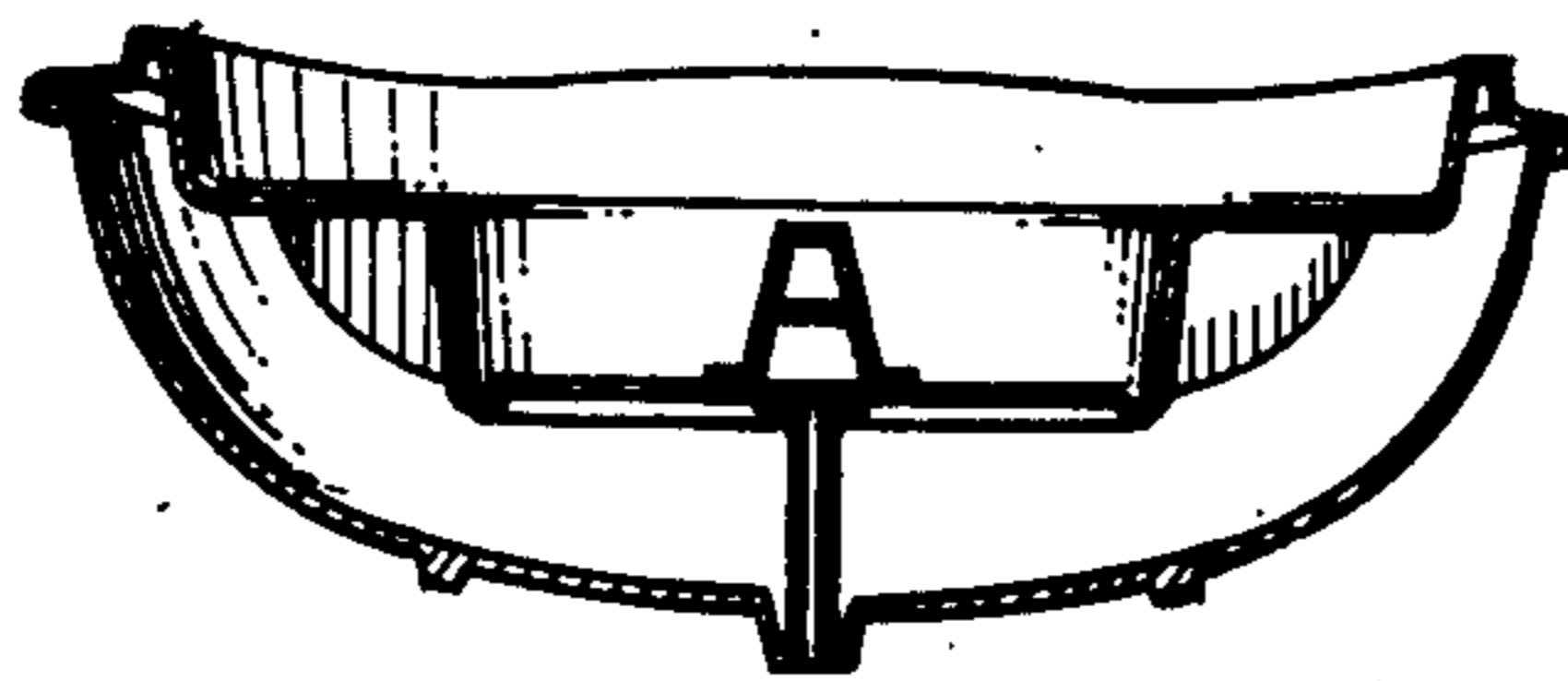


FIG.8

