

[54] DOLLY FOR REFUSE CONTAINER

[75] Inventors: Dale T. Maza; Glen E. Tomblin, both of Winchester, Va.

[73] Assignee: Rubbermaid Commercial Products Inc., Winchester, Va.

[**] Term: 14 Years

[21] Appl. No.: 826,892

[22] Filed: Aug. 22, 1977

[51] Int. Cl. D12-02

[52] U.S. Cl. D12/31

[58] Field of Search D12/31, 25; 280/79.1 R, 280/79.1 A, 79.2, 79.3, 47.34, 651

[56]

References Cited

U.S. PATENT DOCUMENTS

926,288 6/1909 Rice D12/2.5

FOREIGN PATENT DOCUMENTS

154659 5/1956 Norway 280/79.1

Primary Examiner—James M. Gandy

Attorney, Agent, or Firm—E. R. Hamilton

[57]

CLAIM

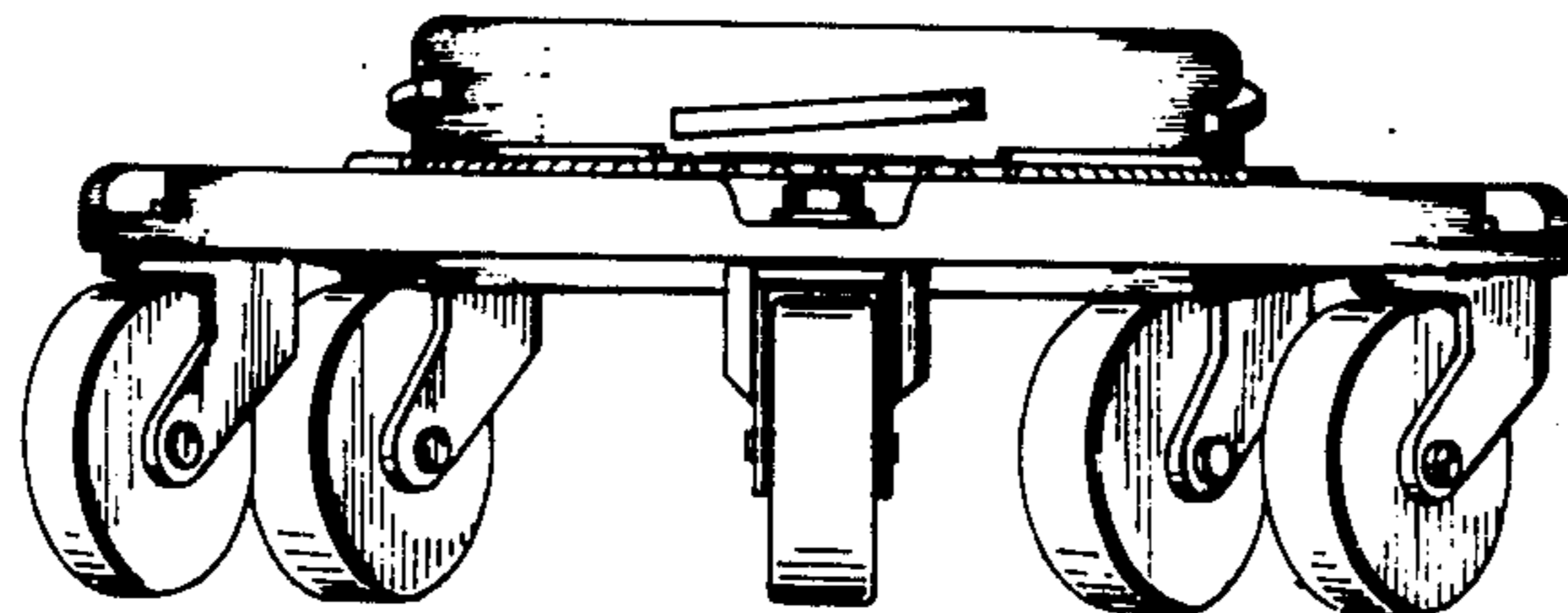
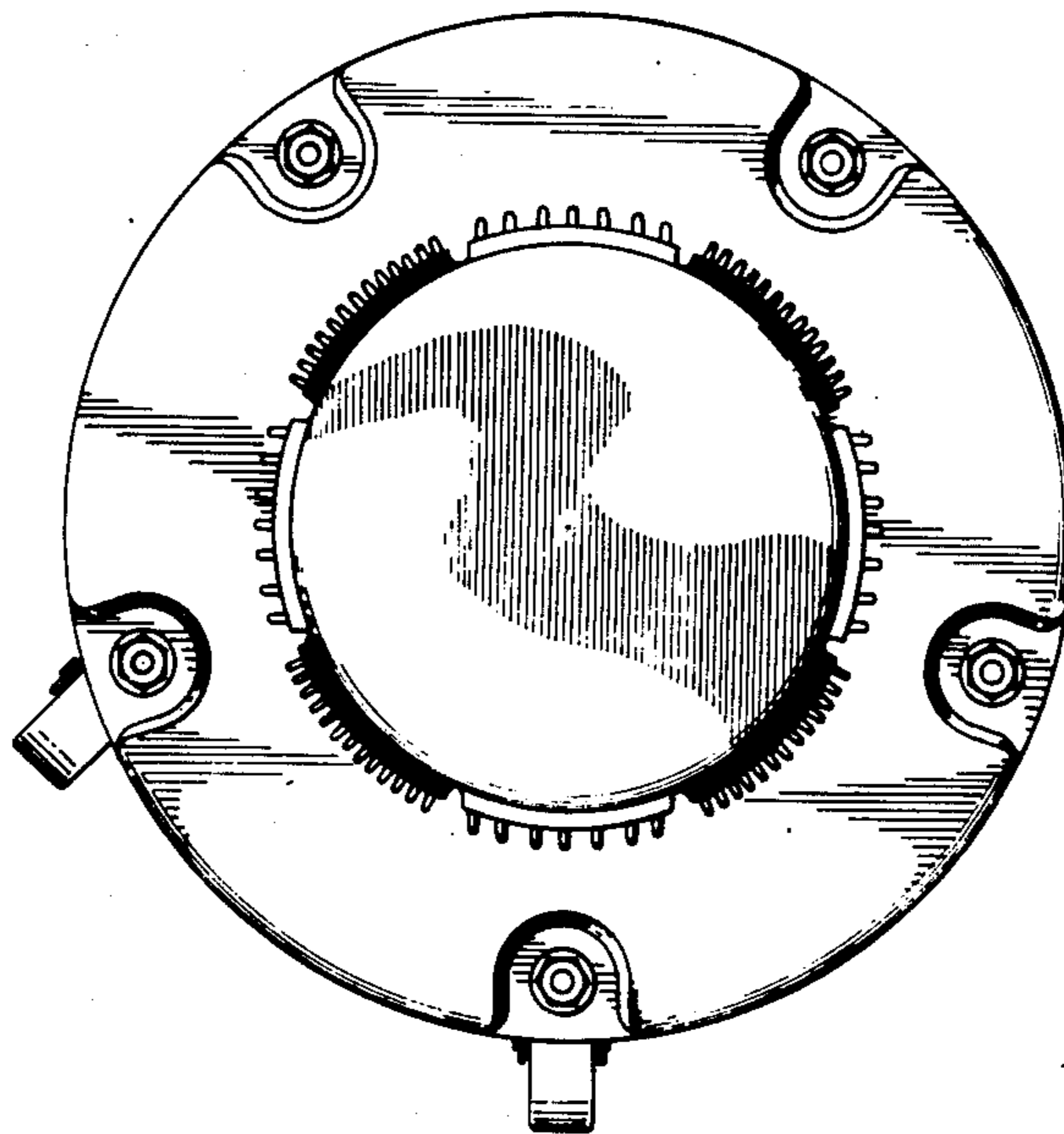
The ornamental design for a dolly for refuse container, as shown.

DESCRIPTION

FIG. 1 is a top plan view of a dolly for refuse container embodying our new design.

FIG. 2 is a side elevational view thereof.

FIG. 3 is a bottom plan view thereof.



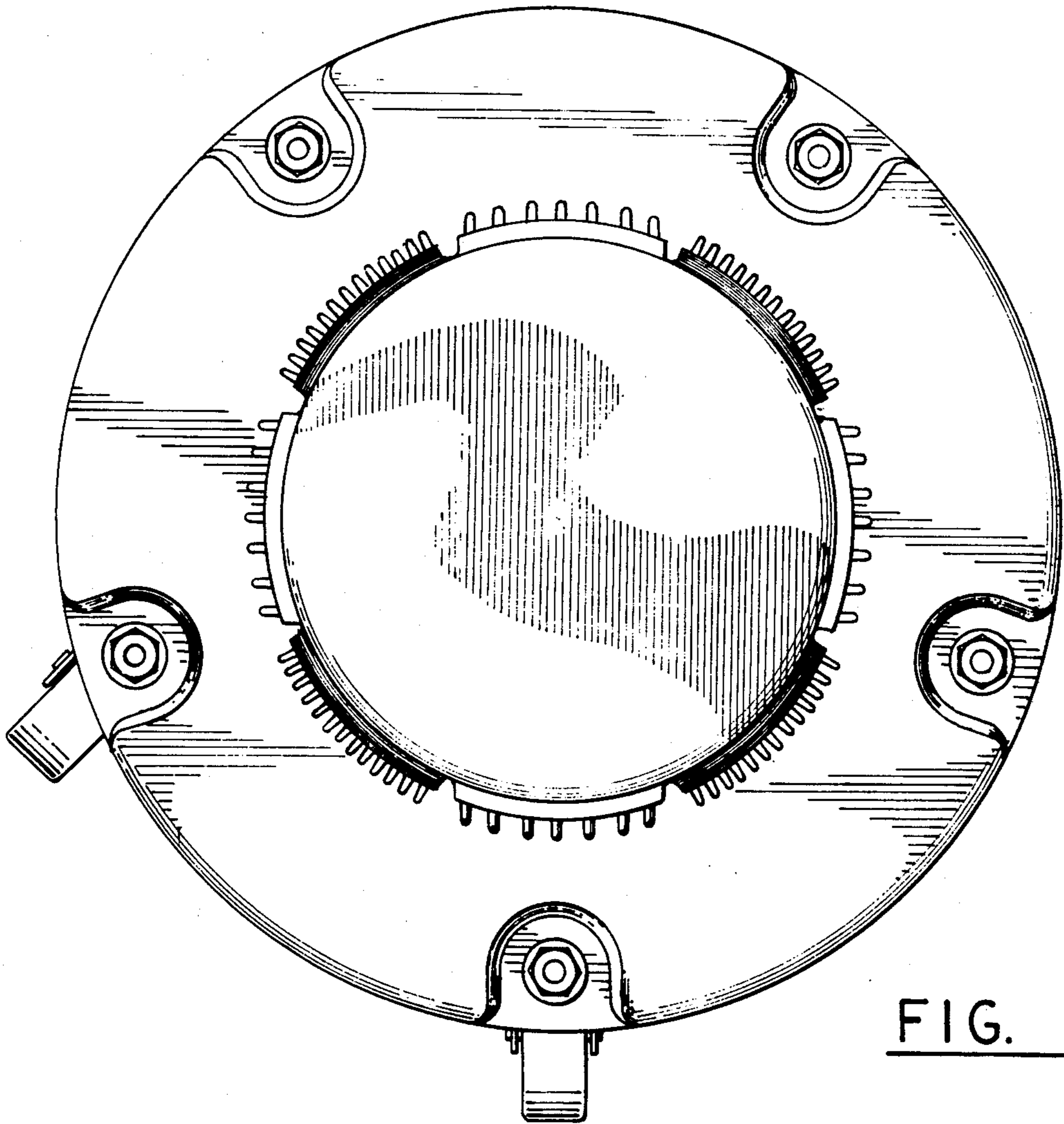


FIG. 1

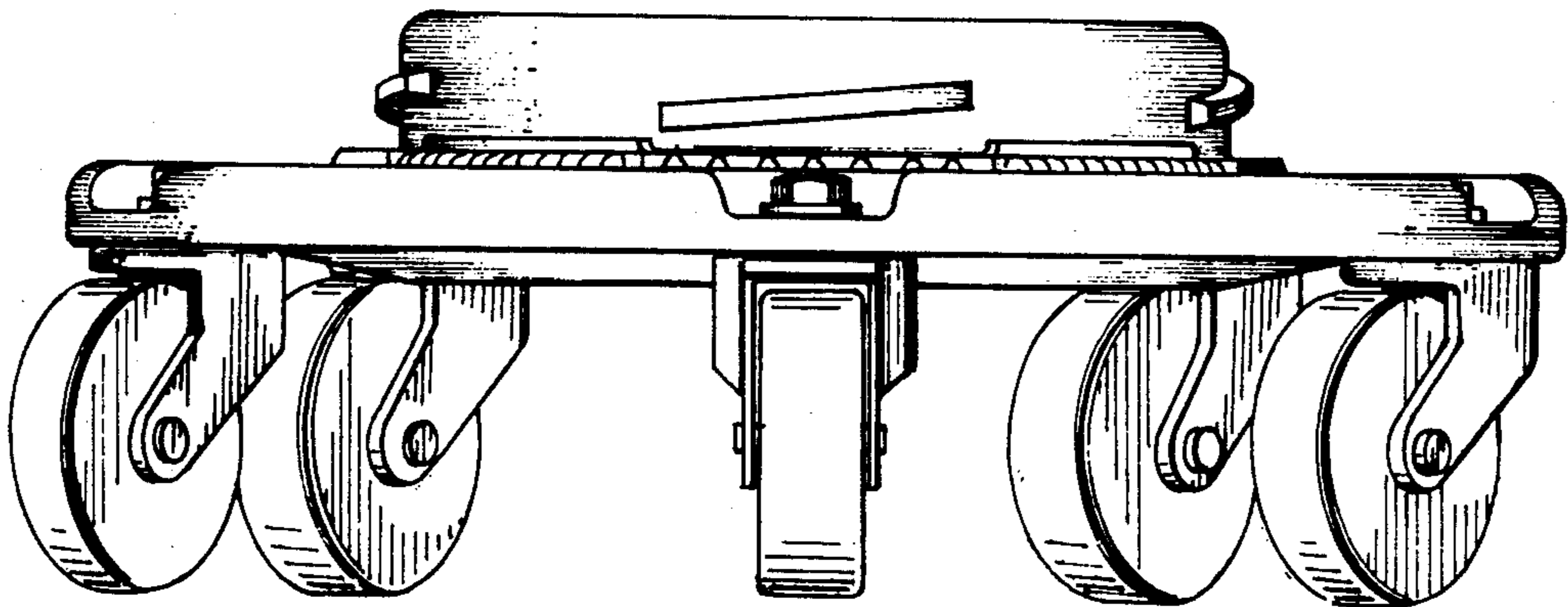


FIG. 2

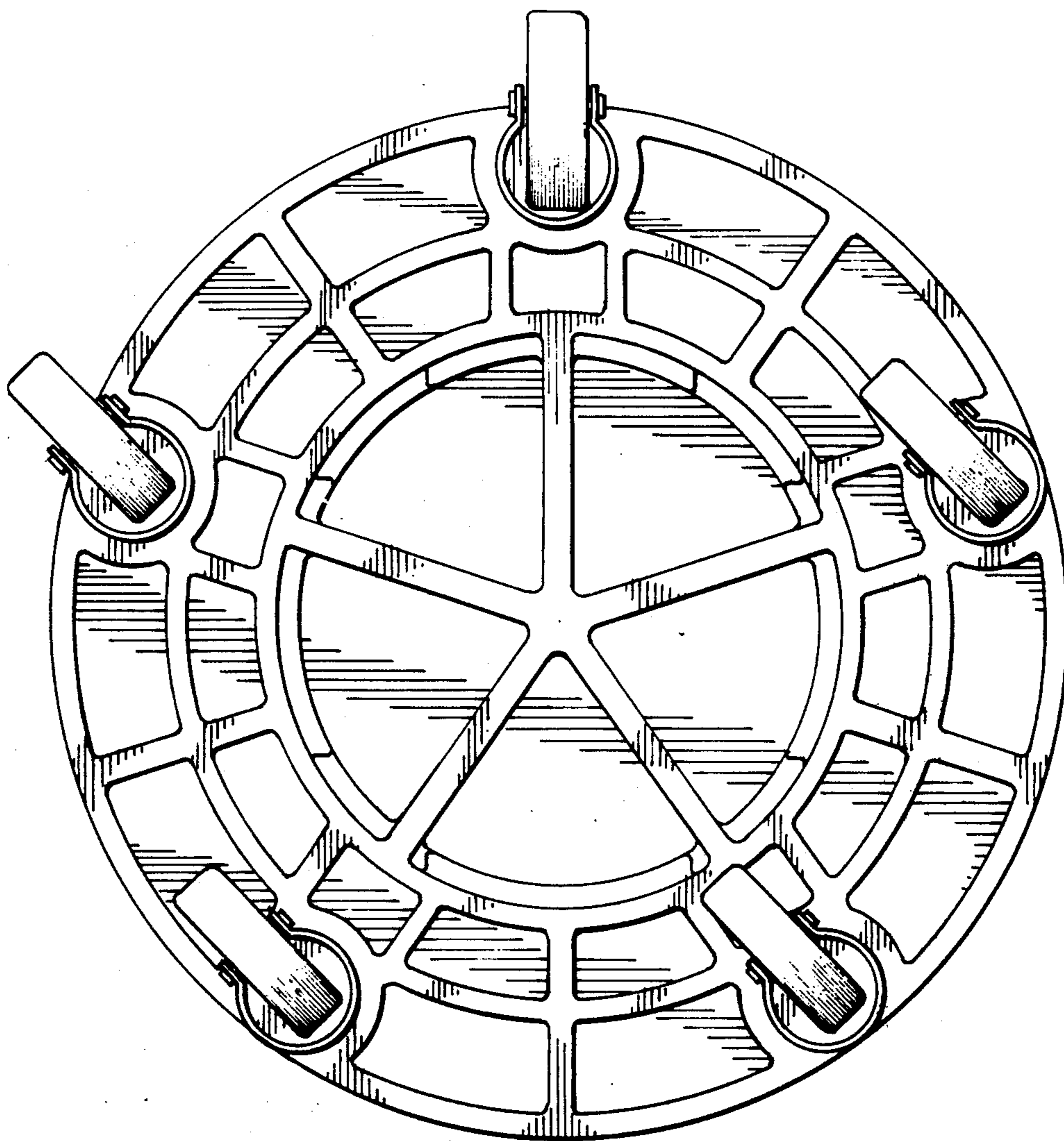


FIG. 3