

[54] COVER FOR A FOOD CONTAINER OR THE LIKE

[75] Inventor: Nicholas D. Commisso, Victor, N.Y.

[73] Assignee: Mobil Oil Corporation, New York, N.Y.

[**] Term: 14 Years

[21] Appl. No.: 752,042

[22] Filed: Dec. 20, 1976

[51] Int. Cl. D9-07

[52] U.S. Cl. D9/254

[58] Field of Search D7/17, 40, 131; D9/254, D9/267, 275, 98, 99, 258; 229/1.5 B, 2.5, 5.6; 220/356, 367

[56] References Cited

U.S. PATENT DOCUMENTS

D. 212,843 12/1968 Hart et al. D9/267

D. 233,124 10/1974 Hawk D9/254
3,360,153 12/1967 Wheaton, Jr. D7/17 X
3,403,820 10/1968 Landis et al. D9/258 X
3,955,710 5/1976 Commisso D7/40 X

Primary Examiner—Robert C. Spangler
Attorney, Agent, or Firm—Charles A. Huggett

[57] CLAIM

The ornamental design for a cover for a food container or the like, substantially as shown.

DESCRIPTION

FIG. 1 is a top perspective view of a cover for a food container or the like showing my new design;
FIG. 2 is a top plan view thereof;
FIG. 3 is a side elevational view thereof;
FIG. 4 is a bottom plan view;
FIG. 5 is a cross-sectional view taken on line 5-5 of FIG. 2; and
FIG. 6 is a cross-sectional view taken on line 6-6 of FIG. 2.

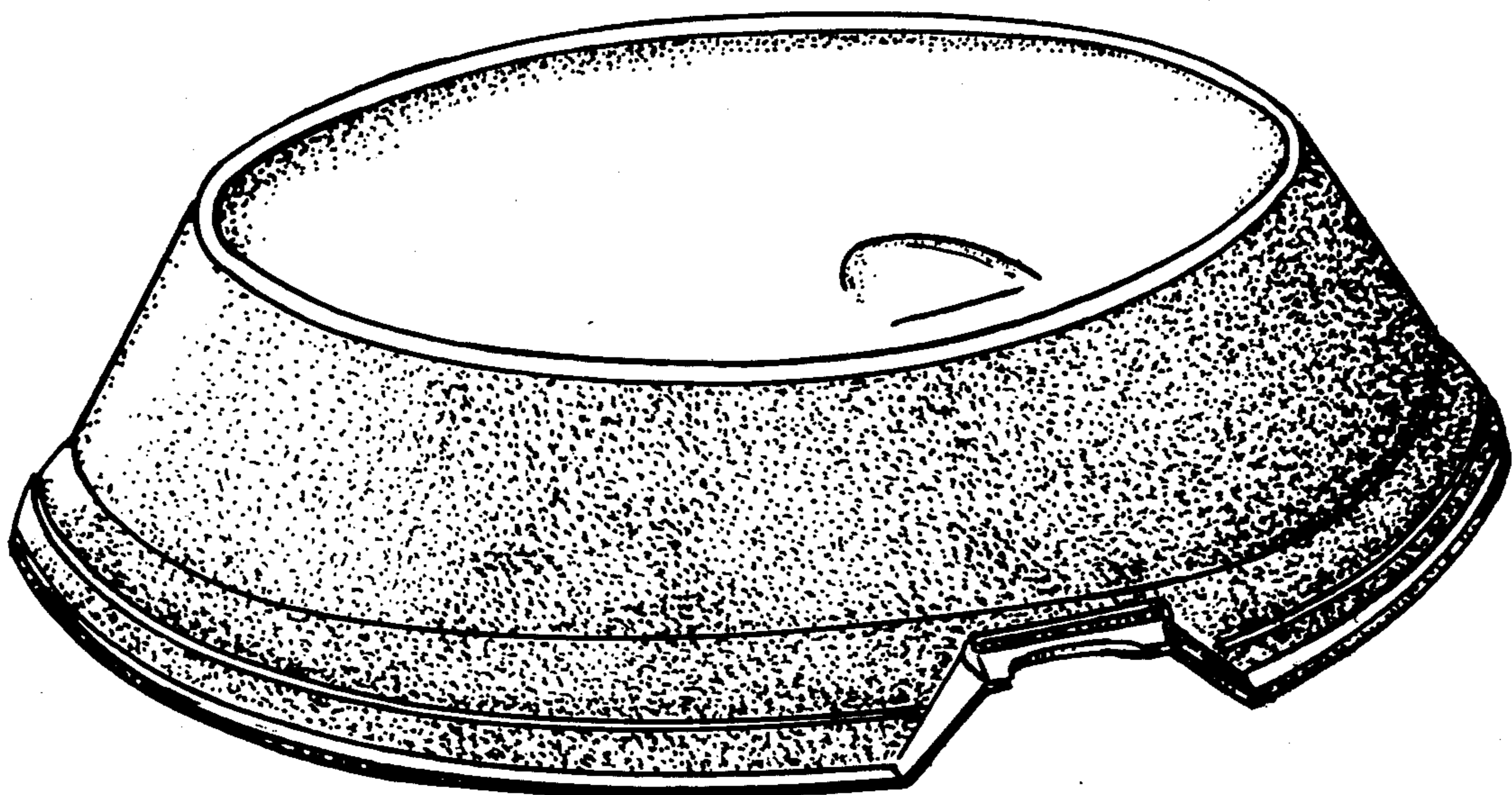


Fig. 1

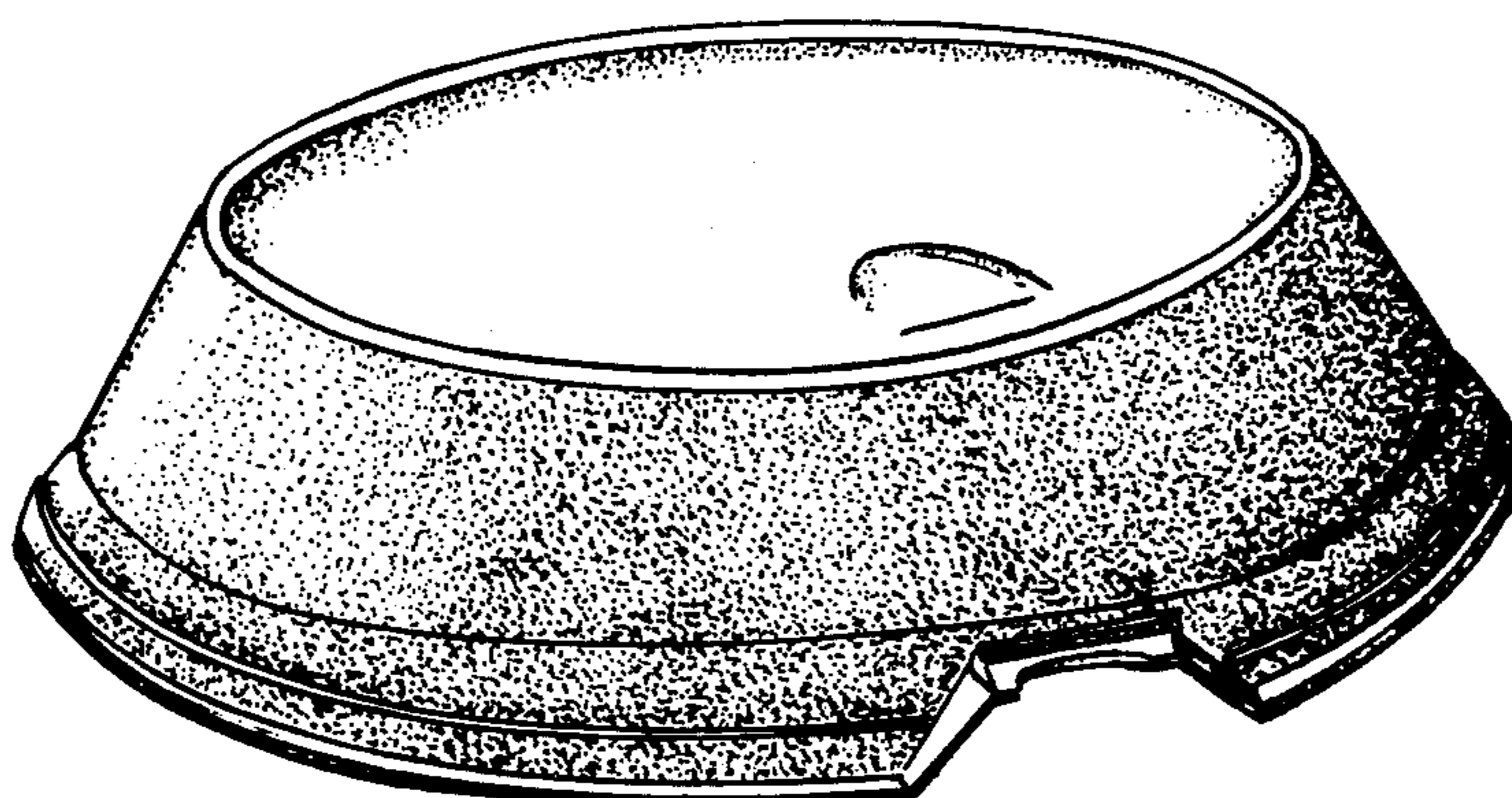


Fig. 2

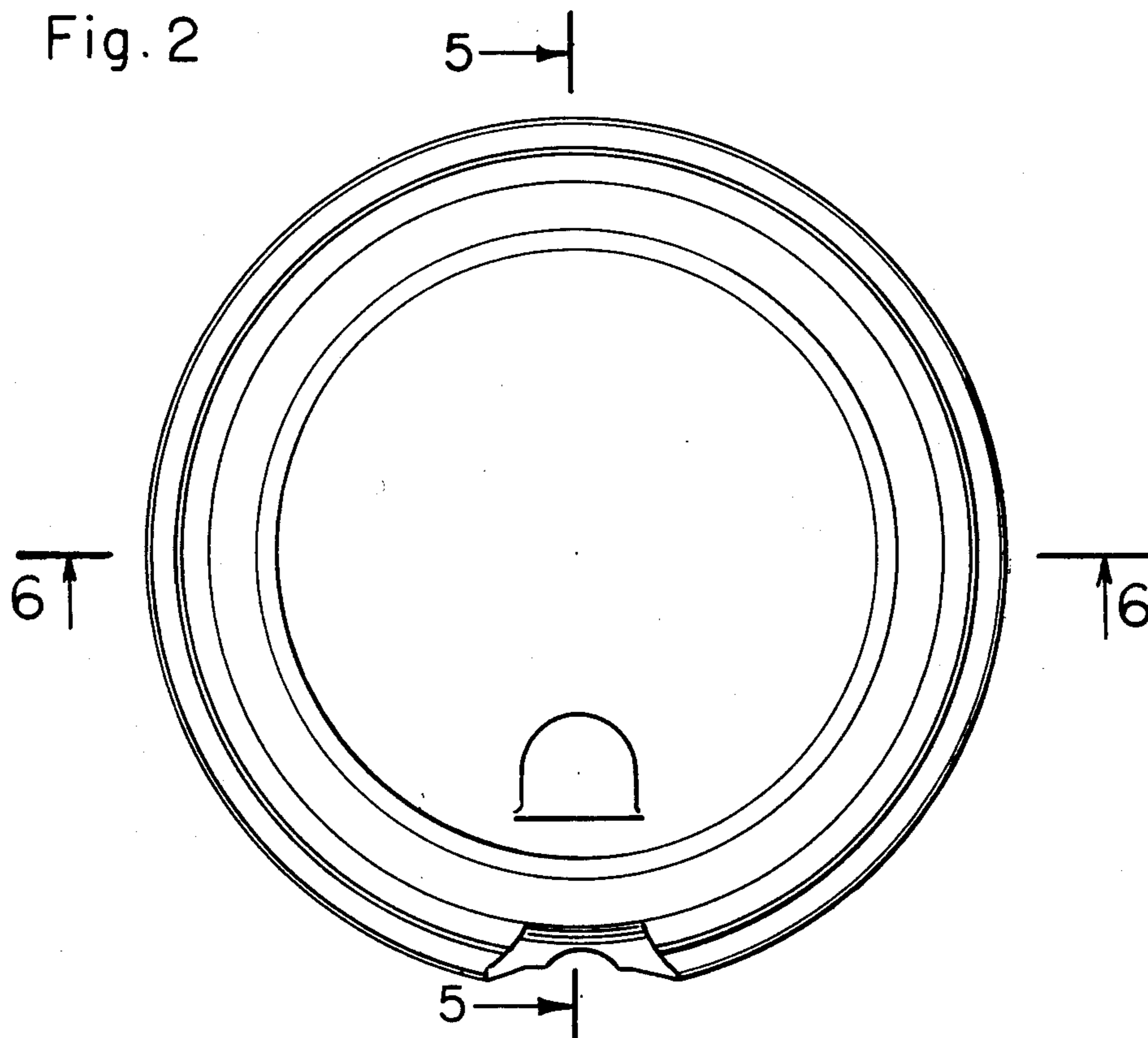


Fig. 3

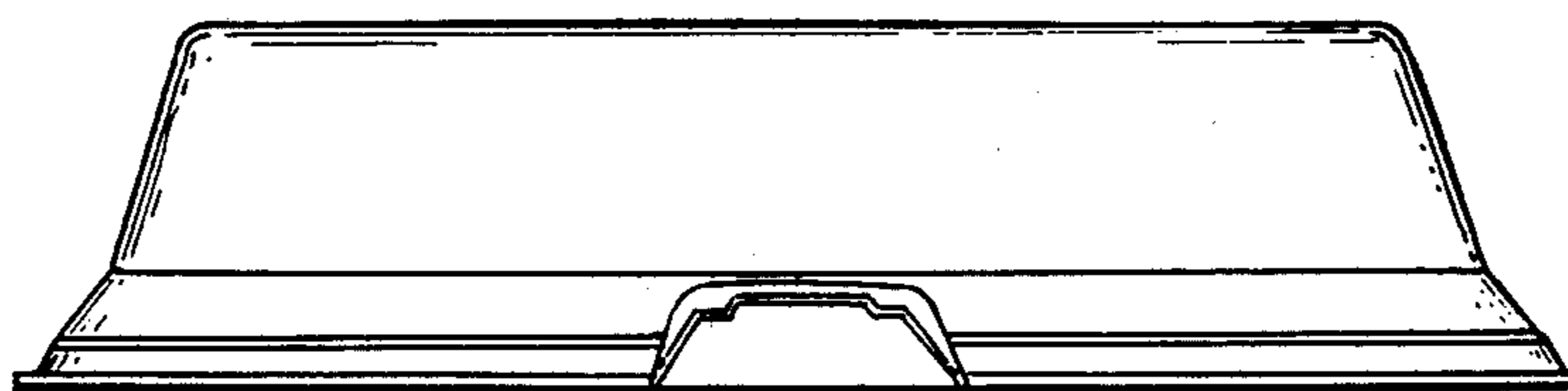


Fig. 5

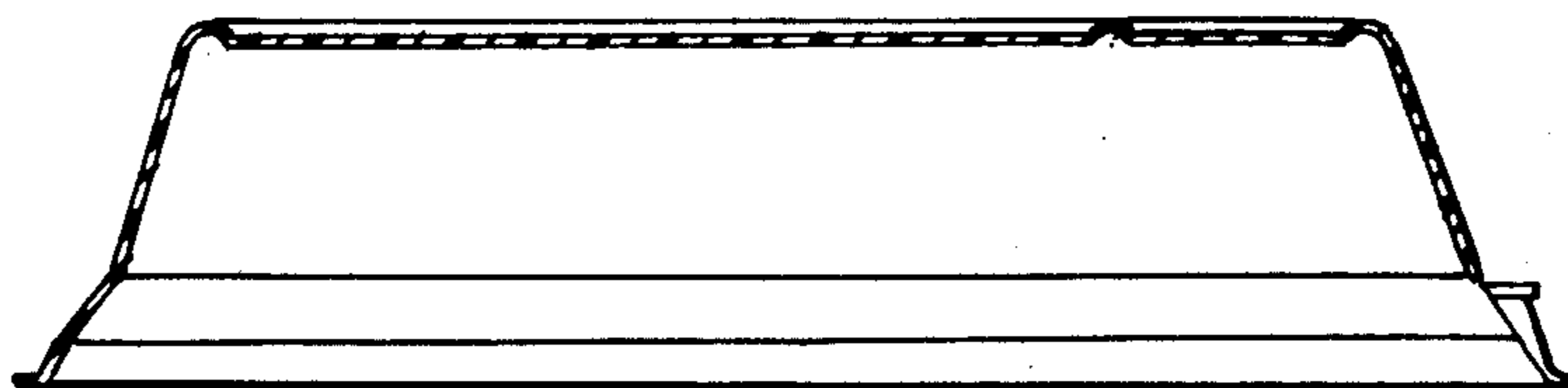


Fig. 6

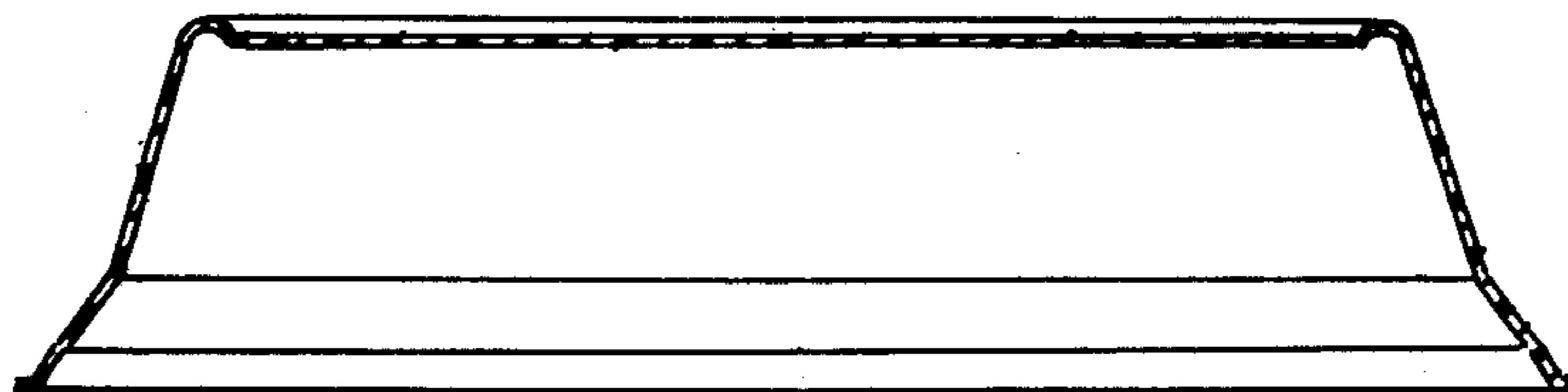


Fig. 4

