

[54] BACK SAW HANDLE

[75] Inventor: Carl-Arne Breger, Malmo, Sweden

[73] Assignee: Sandvik Aktiebolag, Sandviken, Sweden

[\*\*] Term: 14 Years

[21] Appl. No.: 775,549

[22] Filed: Mar. 8, 1977

[51] Int. Cl. .... D8-03

[52] U.S. Cl. .... D8/97

[58] Field of Search ..... D8/97, 95; 145/31 R, 145/108 R

[56]

References Cited

U.S. PATENT DOCUMENTS

D. 231,076 4/1974 Carlsson ..... D8/97

Primary Examiner—Alan P. Douglas  
Attorney, Agent, or Firm—Ralph E. Parker

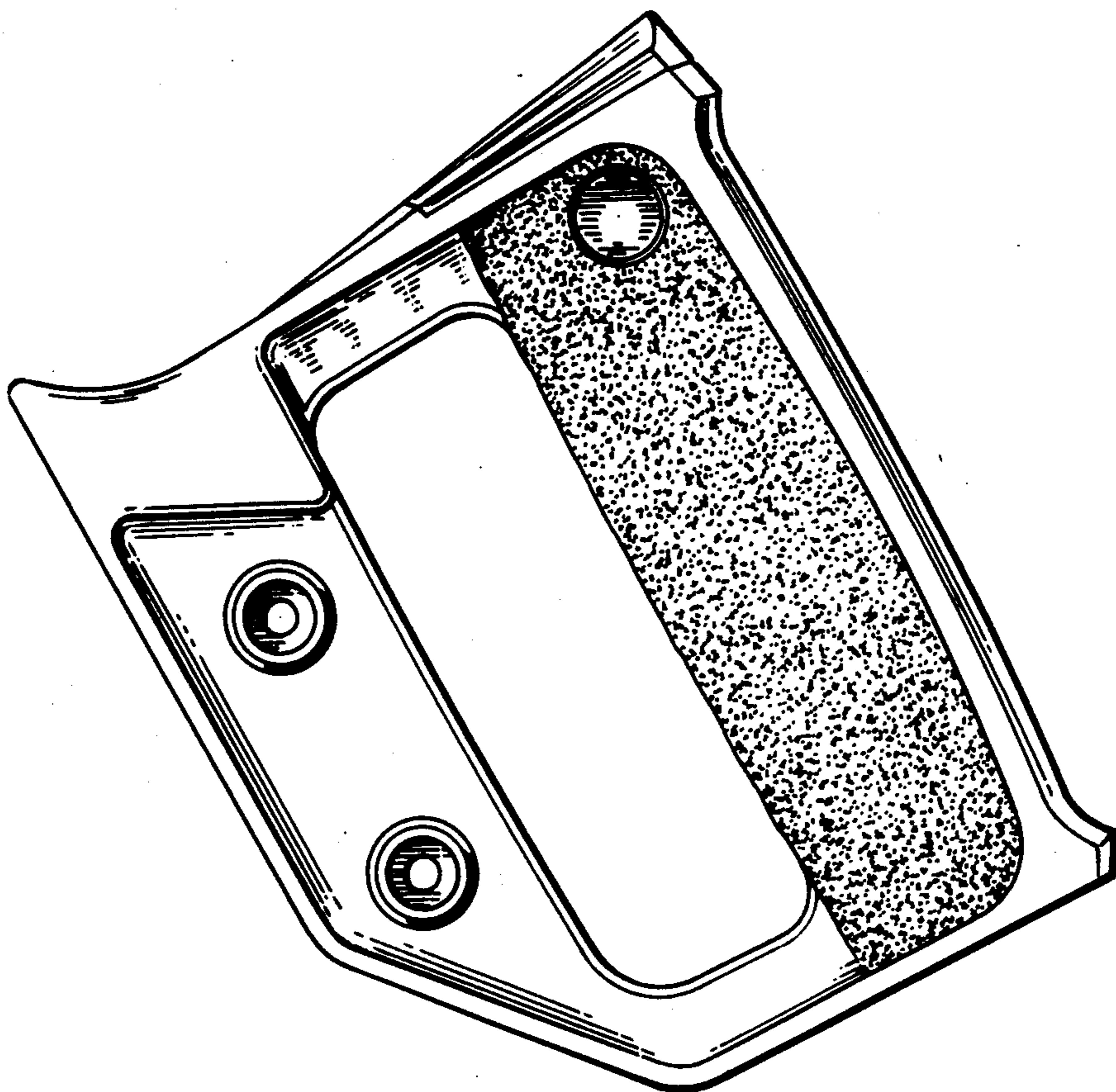
[57]

CLAIM

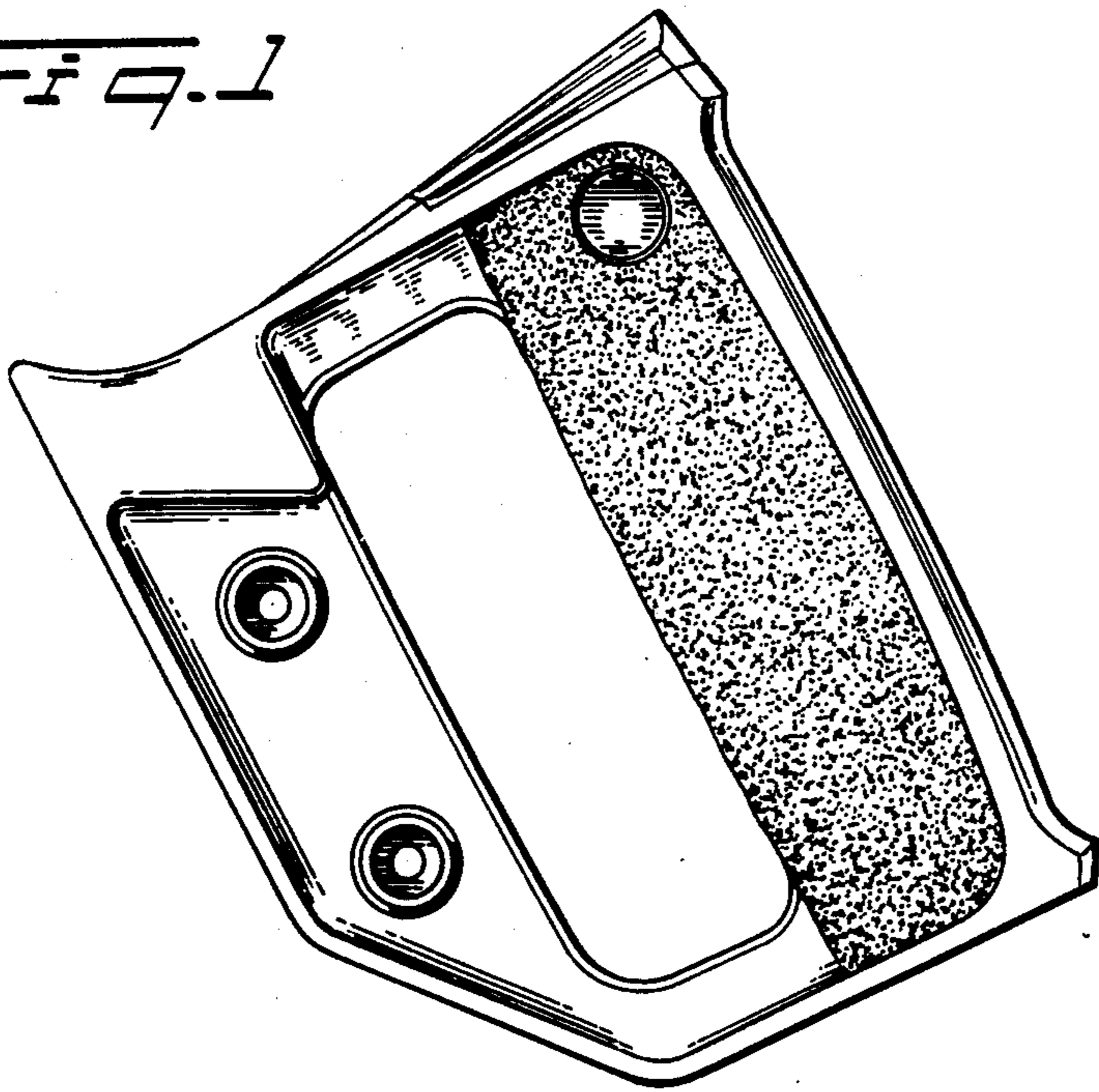
The ornamental design for a back saw handle, as shown and described.

DESCRIPTION

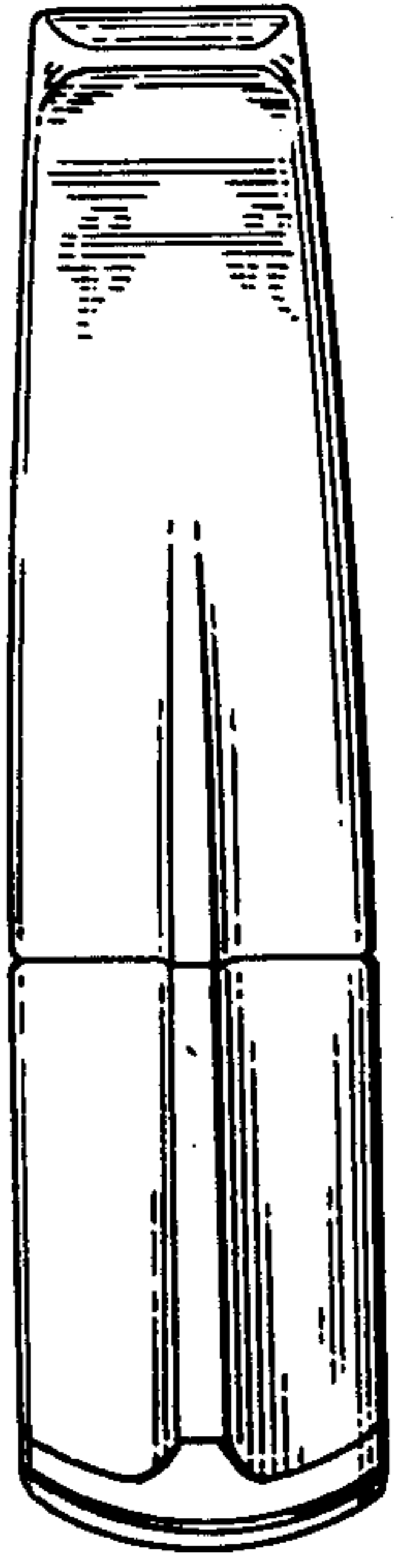
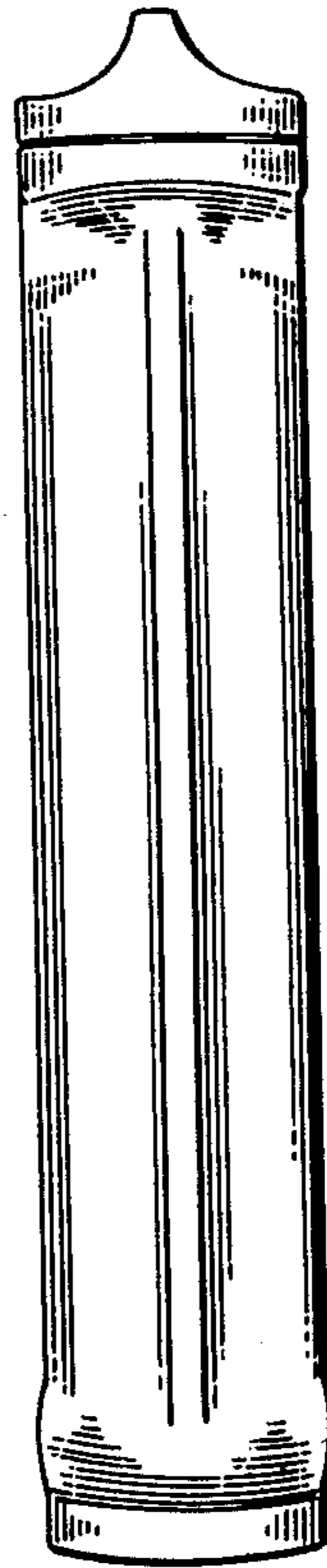
FIG. 1 is a front view of the back saw handle;  
FIG. 2 is a view of the right-hand side of the handle of FIG. 1;  
FIG. 3 is a view of the top of the handle of FIG. 1;  
FIG. 4 is a back side view of the handle of FIG. 1;  
FIG. 5 is a view of the left-hand side of the handle of FIG. 1; and  
FIG. 6 is a view of the bottom of the handle of FIG. 1.



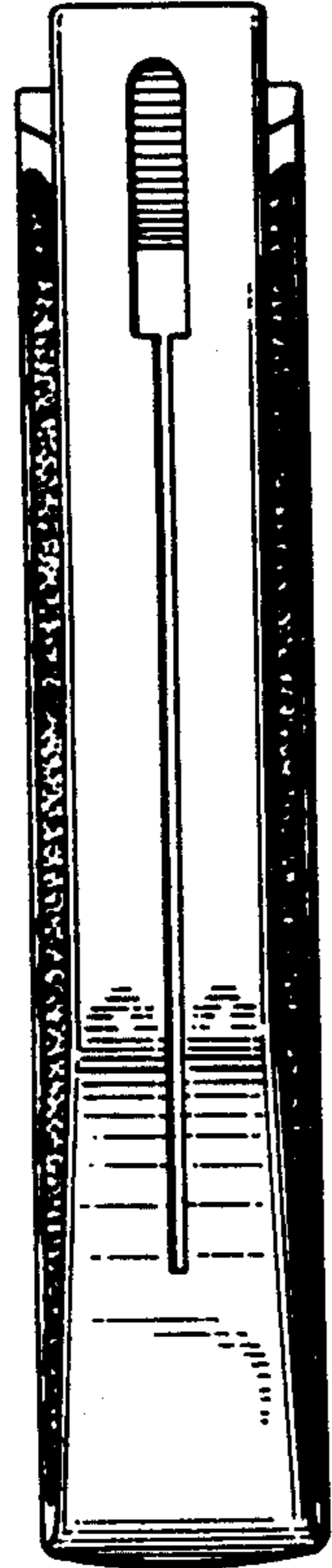
*Fig. 1*



*Fig. 2*

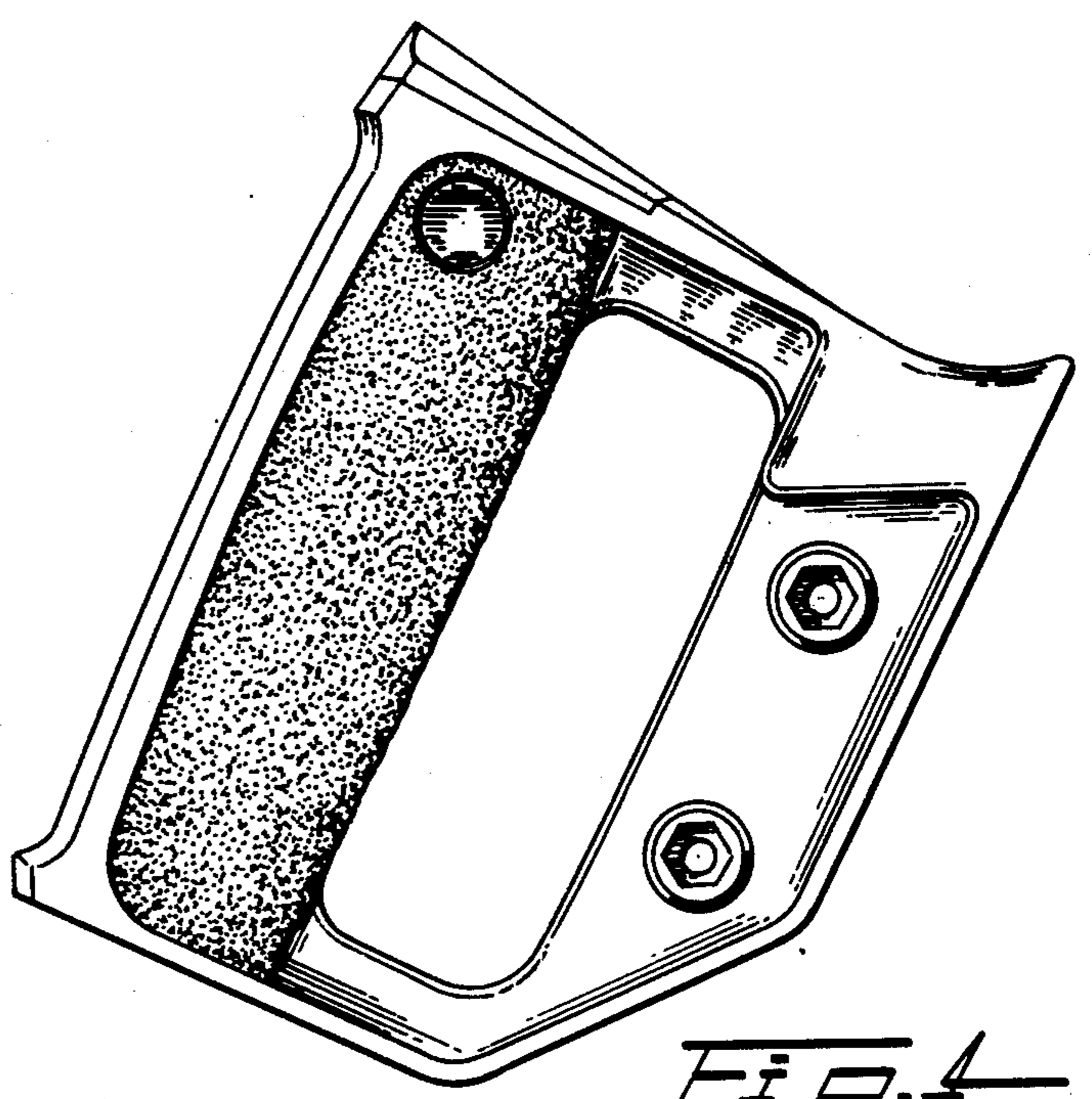
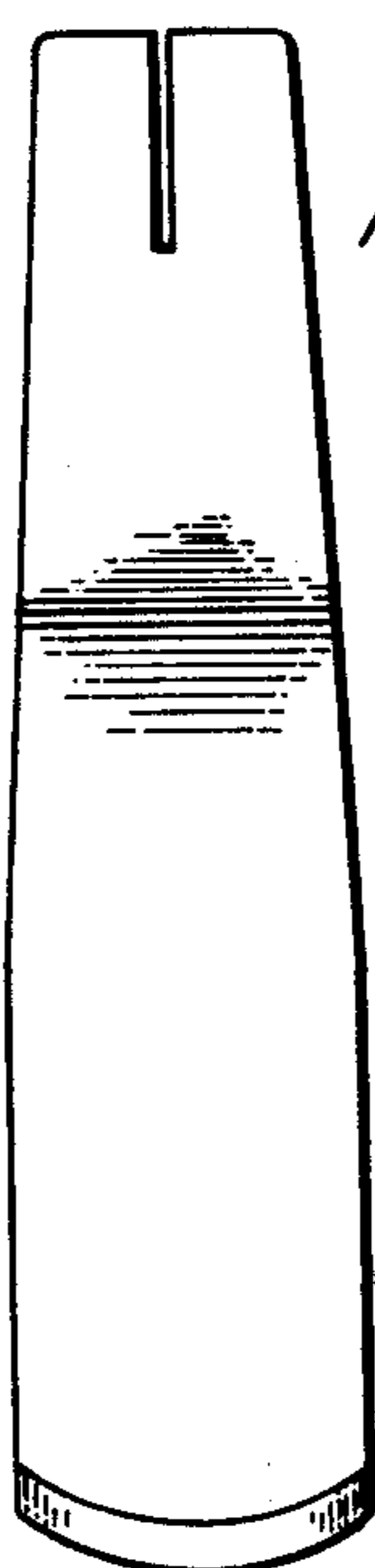


*Fig. 3*



*Fig. 5*

*Fig. 6*



*Fig. 4*