

[54] FIELD AND GARDEN HOE

[76] Inventor: Lawrence E. Le Clair, Rural Route, Royal, Iowa 51317

[\*\*] Term: 14 Years

[21] Appl. No.: 811,077

[22] Filed: Jun. 29, 1977

[51] Int. Cl. .... D8-01

[52] U.S. Cl. .... D8/11; D8/13

[58] Field of Search ..... 172/376, 371, 375, 381, 172/377, 381, 13, 19; D8/11, 13, 1

[56] References Cited

U.S. PATENT DOCUMENTS

D. 191,275	9/1961	Ales .....	D8/11
1,468,628	9/1923	Dunbar .....	172/371
3,156,305	11/1964	Nash .....	172/381

OTHER PUBLICATIONS

Pritzlaff Hardware Cat., ©1952, p. 555, Onion Hoe. Blish, Mize & Silliman Hardware Co., Cat. #50 ©1950, p. 138, No. 40F Turf Edger.

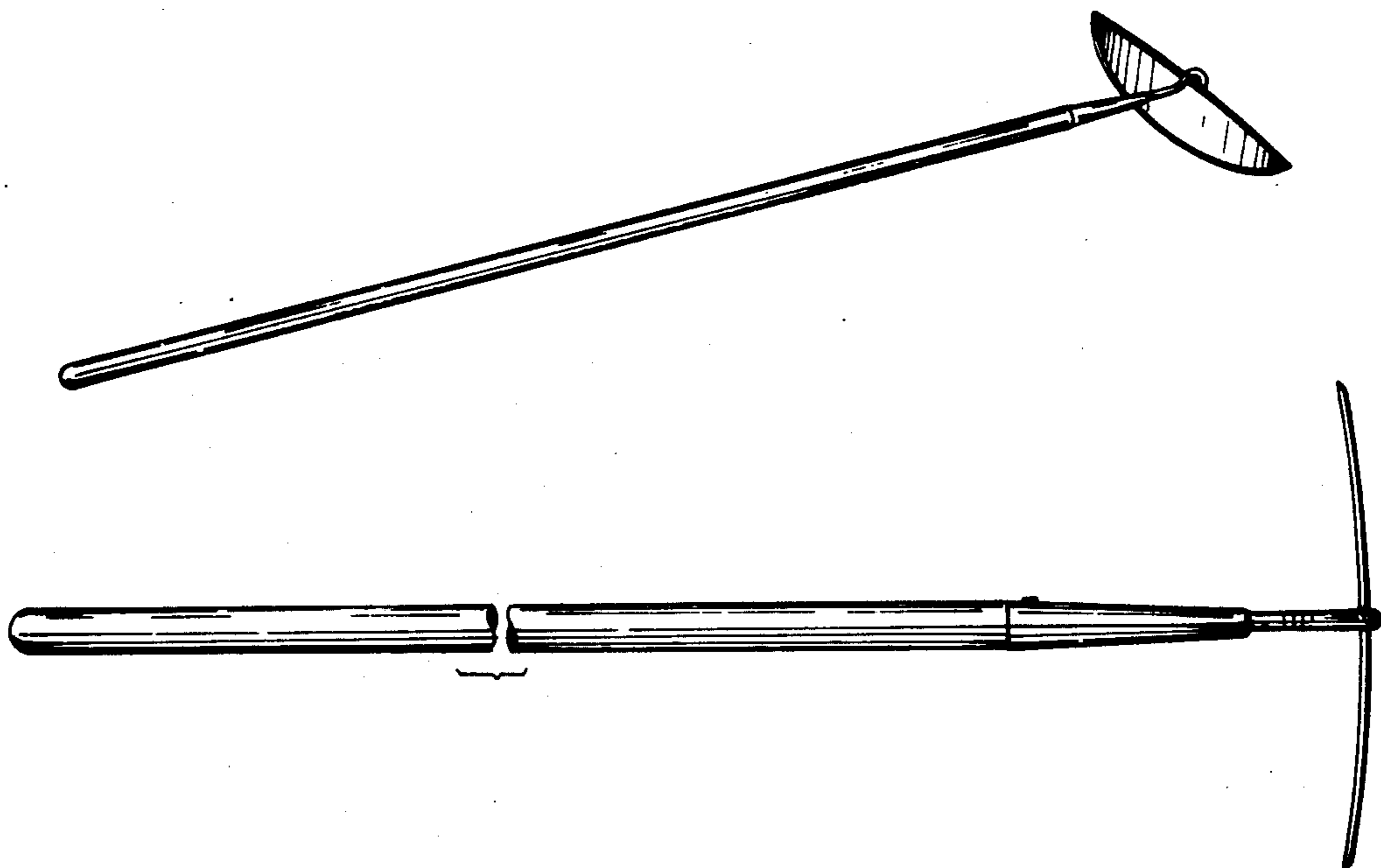
Primary Examiner—Bernard Ansher  
Attorney, Agent, or Firm—Donald H. Zarley

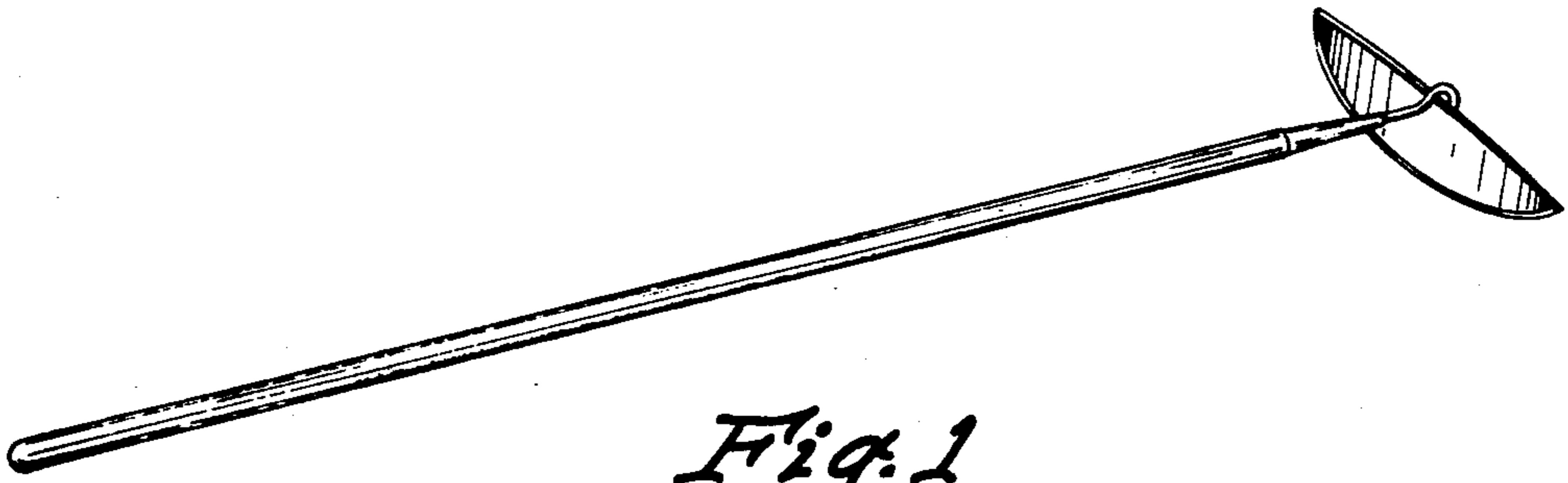
[57] CLAIM

The ornamental design for a field and garden hoe, substantially as shown and described.

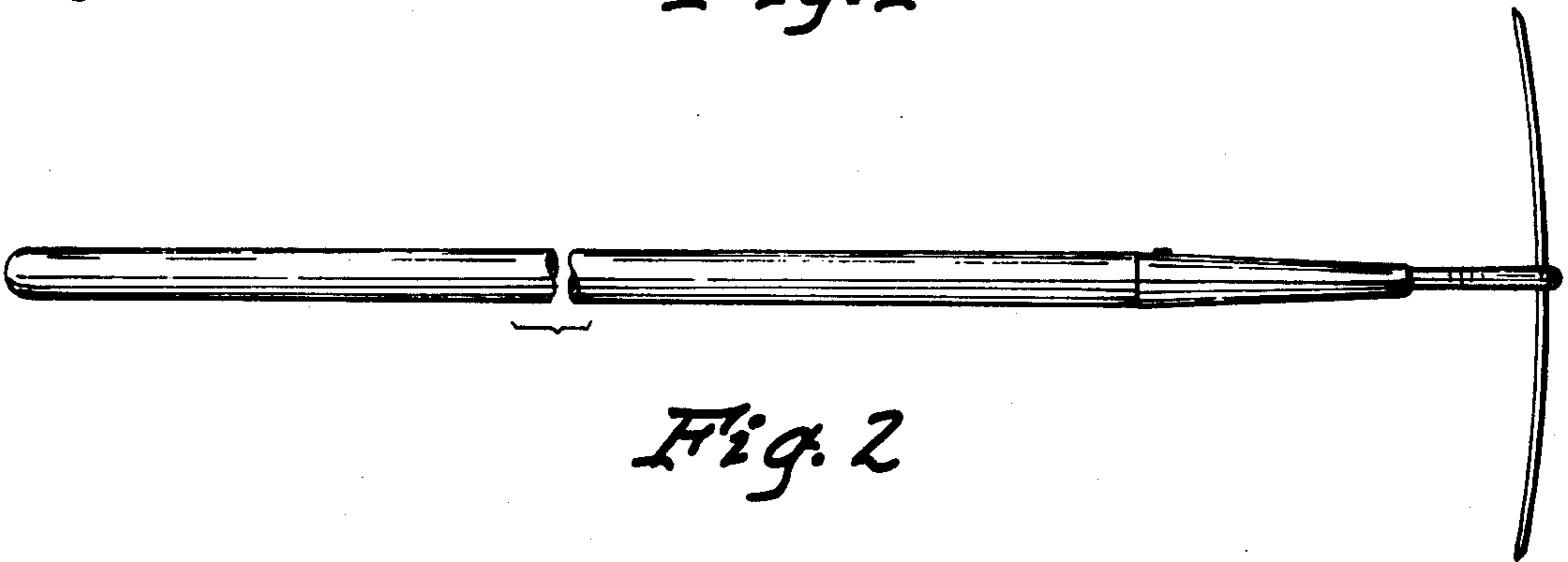
DESCRIPTION

FIG. 1 is a perspective view of a field and garden hoe showing my new design;  
FIG. 2 is a top plan view thereof;  
FIG. 3 is a side elevational view thereof;  
FIG. 4 is an elevational view thereof taken from the end as seen from the left of FIG. 3;  
FIG. 5 is an elevational view thereof taken from the end as seen from the right of FIG. 3; and  
FIG. 6 is a bottom plan view thereof.

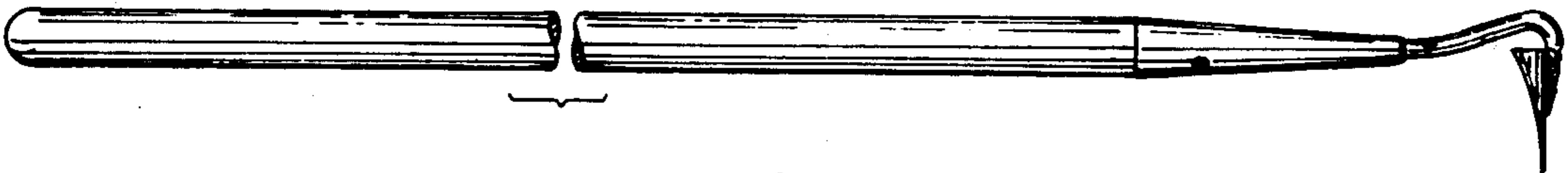




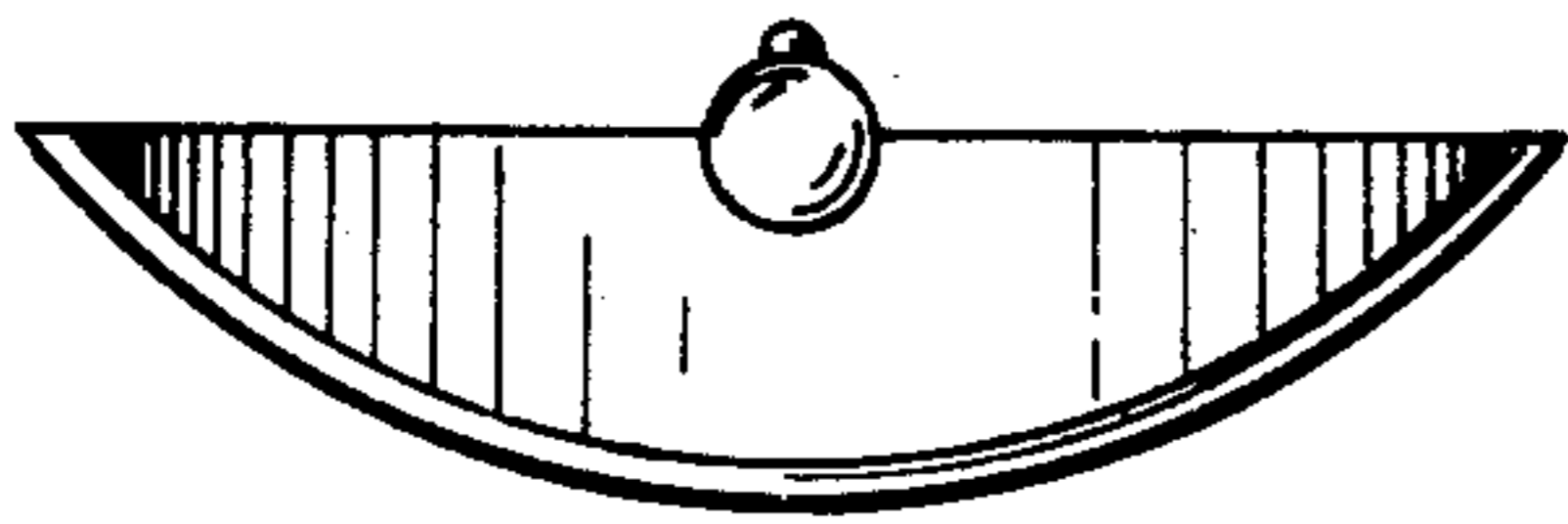
*Fig. 1*



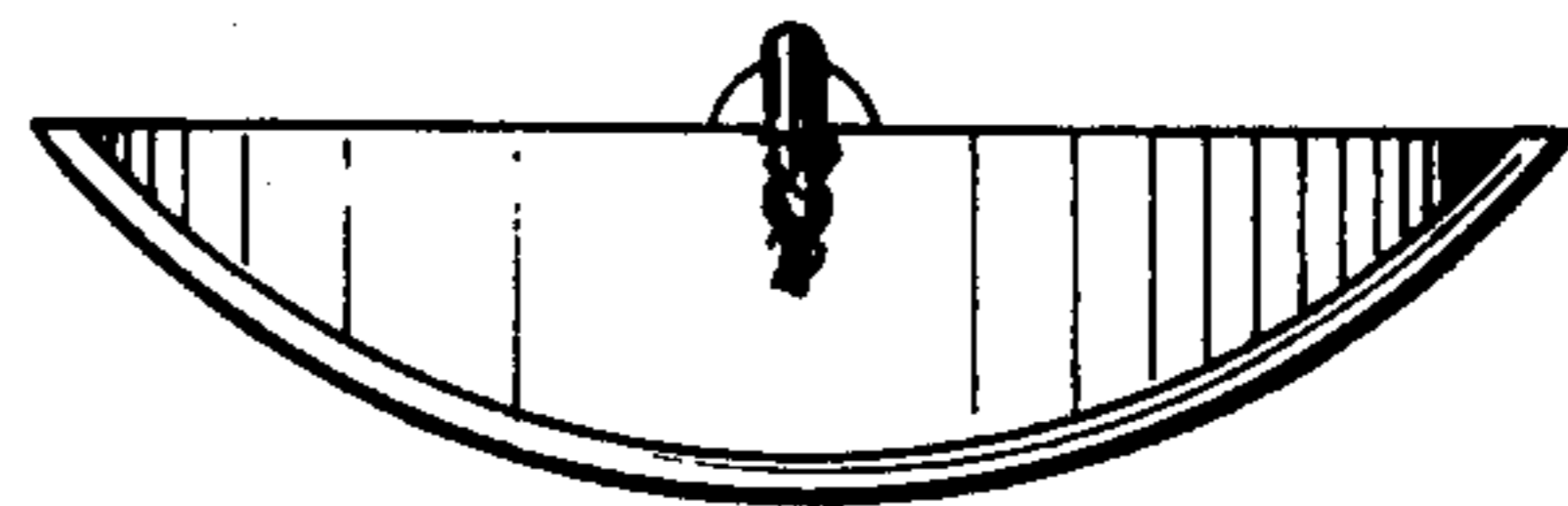
*Fig. 2*



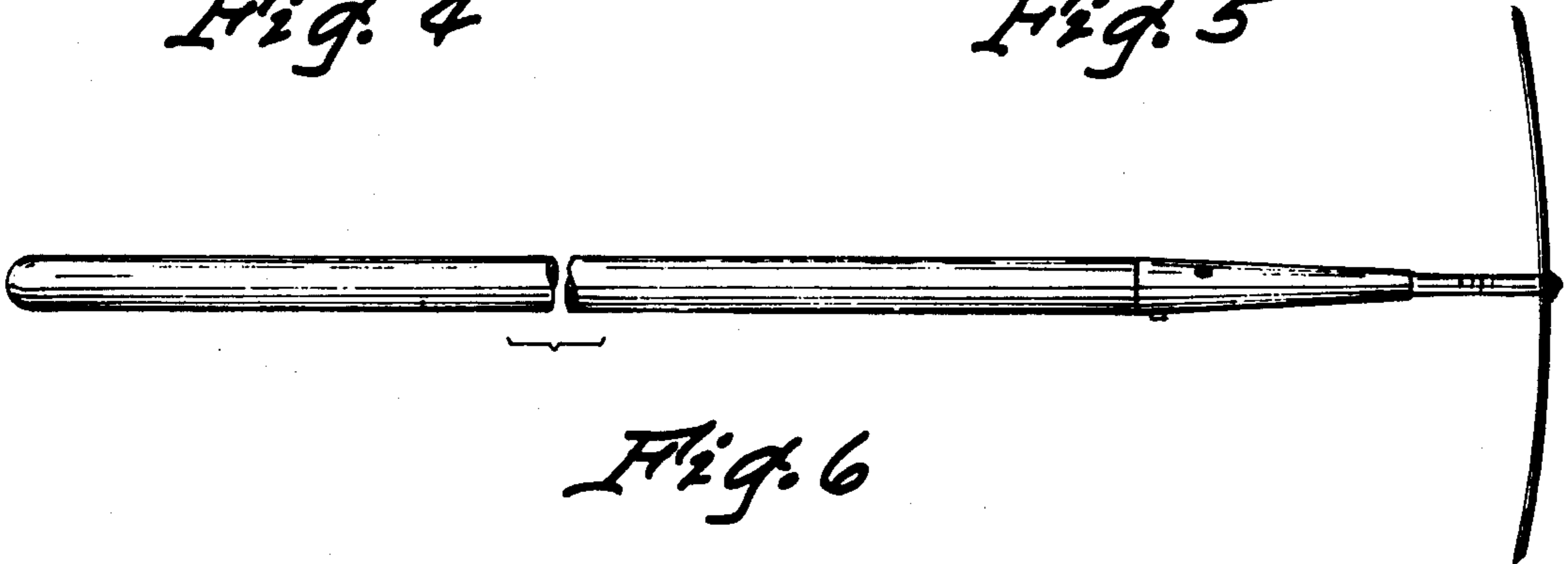
*Fig. 3*



*Fig. 4*



*Fig. 5*



*Fig. 6*