

[54] **BLADE PROTECTOR FOR MOTOR GRASS SHEARS**

[75] Inventor: **Esbjörn Röjd, Sandviken, Sweden**

[73] Assignee: **Sandvik Aktiebolag, Sandviken, Sweden**

[**] Term: **14 Years**

[21] Appl. No.: **791,159**

[22] Filed: **Apr. 26, 1977**

[30] **Foreign Application Priority Data**

Nov. 3, 1976 [SE] Sweden 76-2113

[51] Int. Cl. **D8-03**

[52] U.S. Cl. **D8/8**

[58] Field of Search **D8/7, 8; 30/233, 286, 30/287**

[56]

References Cited

U.S. PATENT DOCUMENTS

3,889,373 6/1975 Achenbach et al. 30/233

Primary Examiner—James M. Gandy
Attorney, Agent, or Firm—Ralph E. Parker

[57]

CLAIM

The ornamental design for a blade protector for motor grass shears, as shown.

DESCRIPTION

FIG. 1 is a top front perspective view of a blade protector for motor grass shears in open condition showing my new design;
FIG. 2 is a top, front perspective view thereof in closed condition; and,
FIG. 3 is a bottom, rear perspective view thereof in open condition.

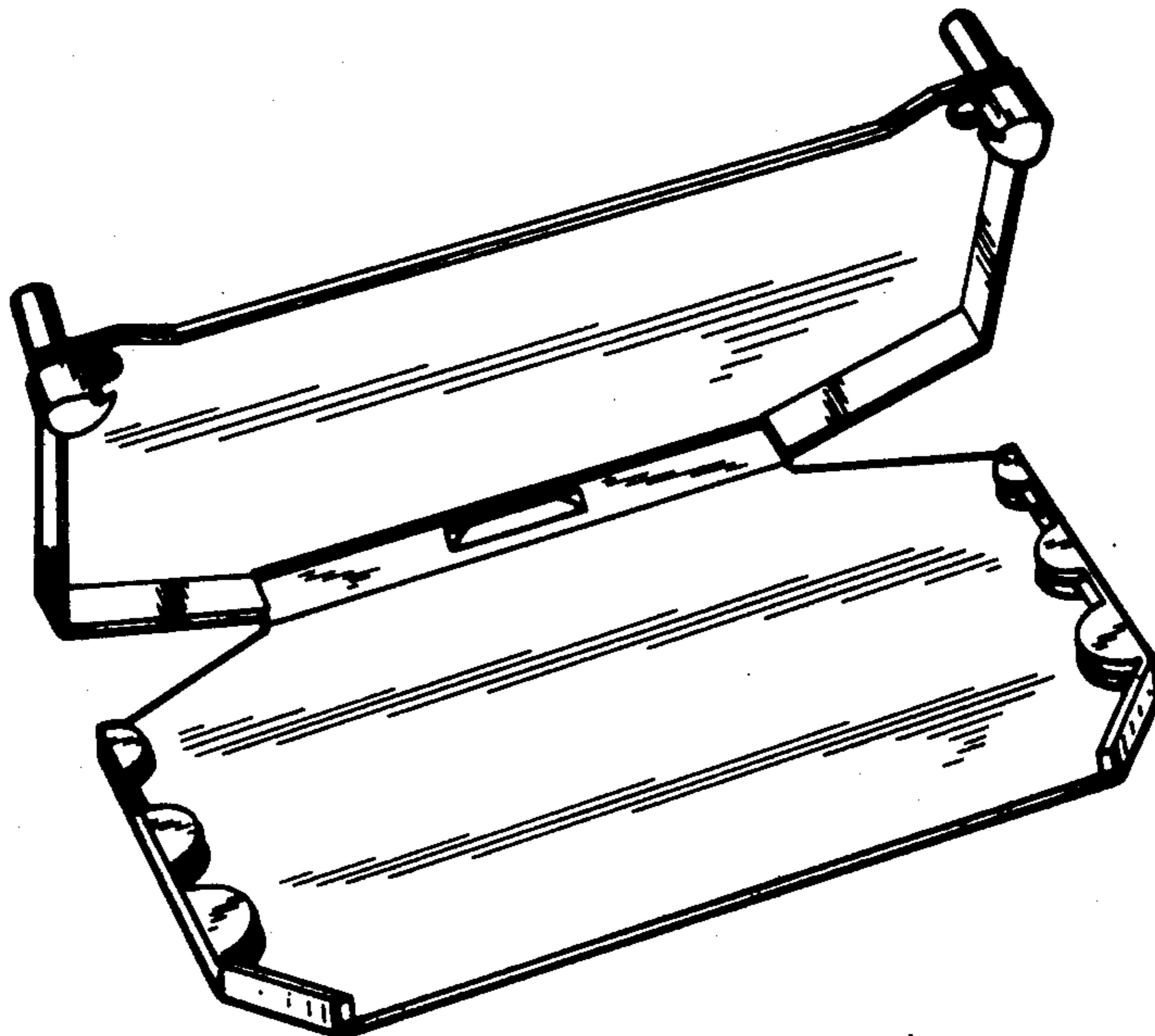


FIG.1

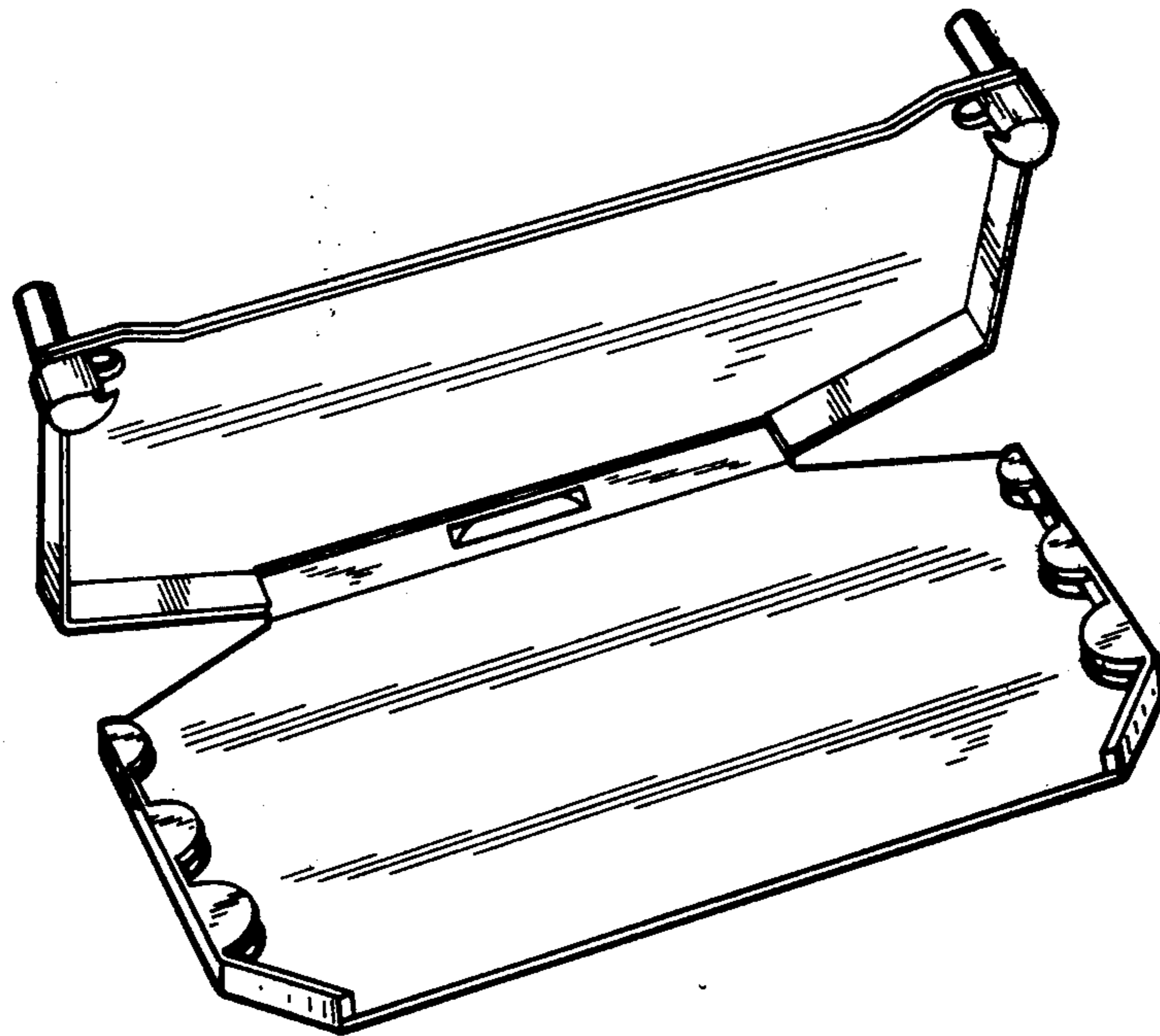
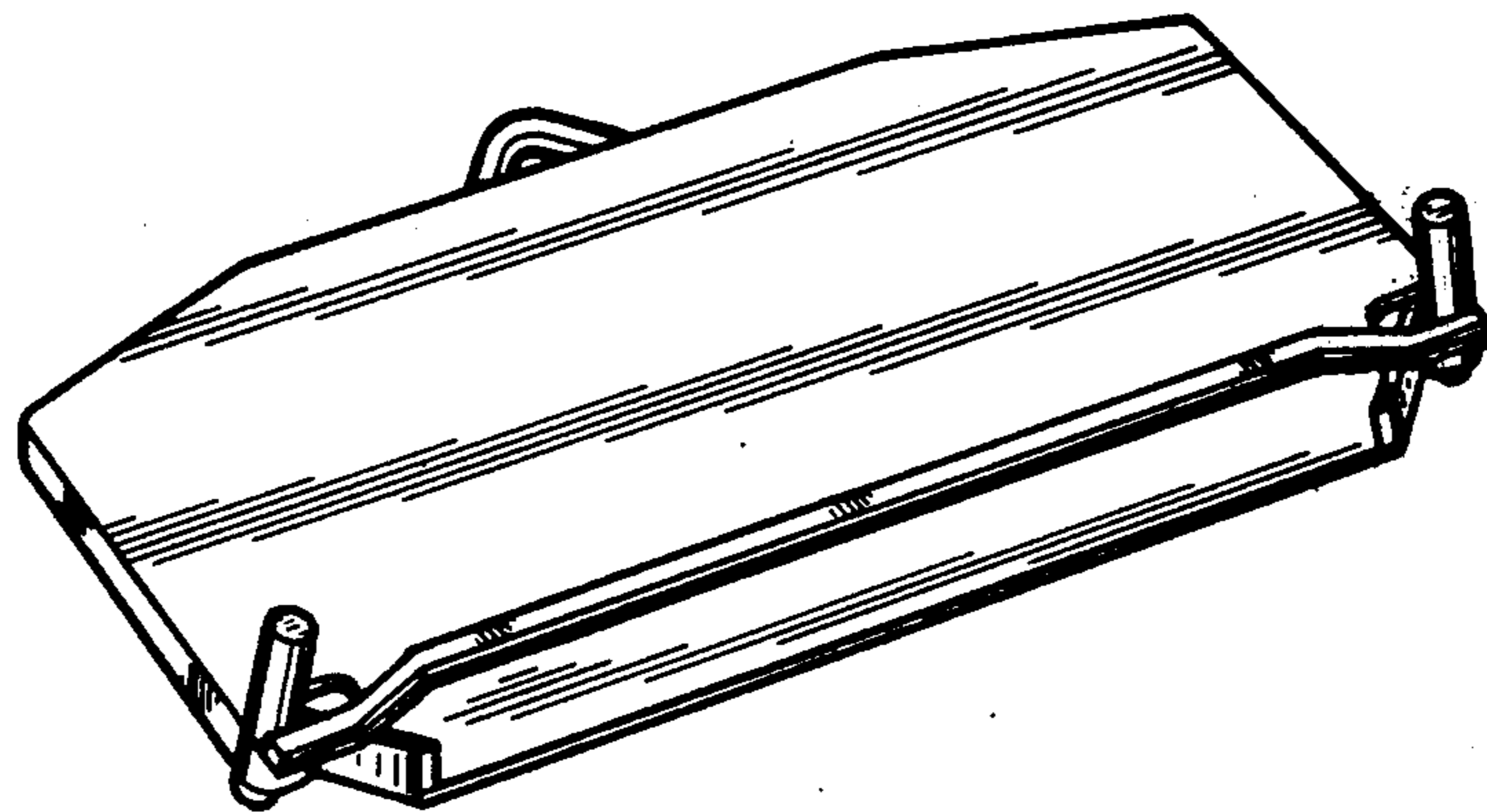


FIG.2



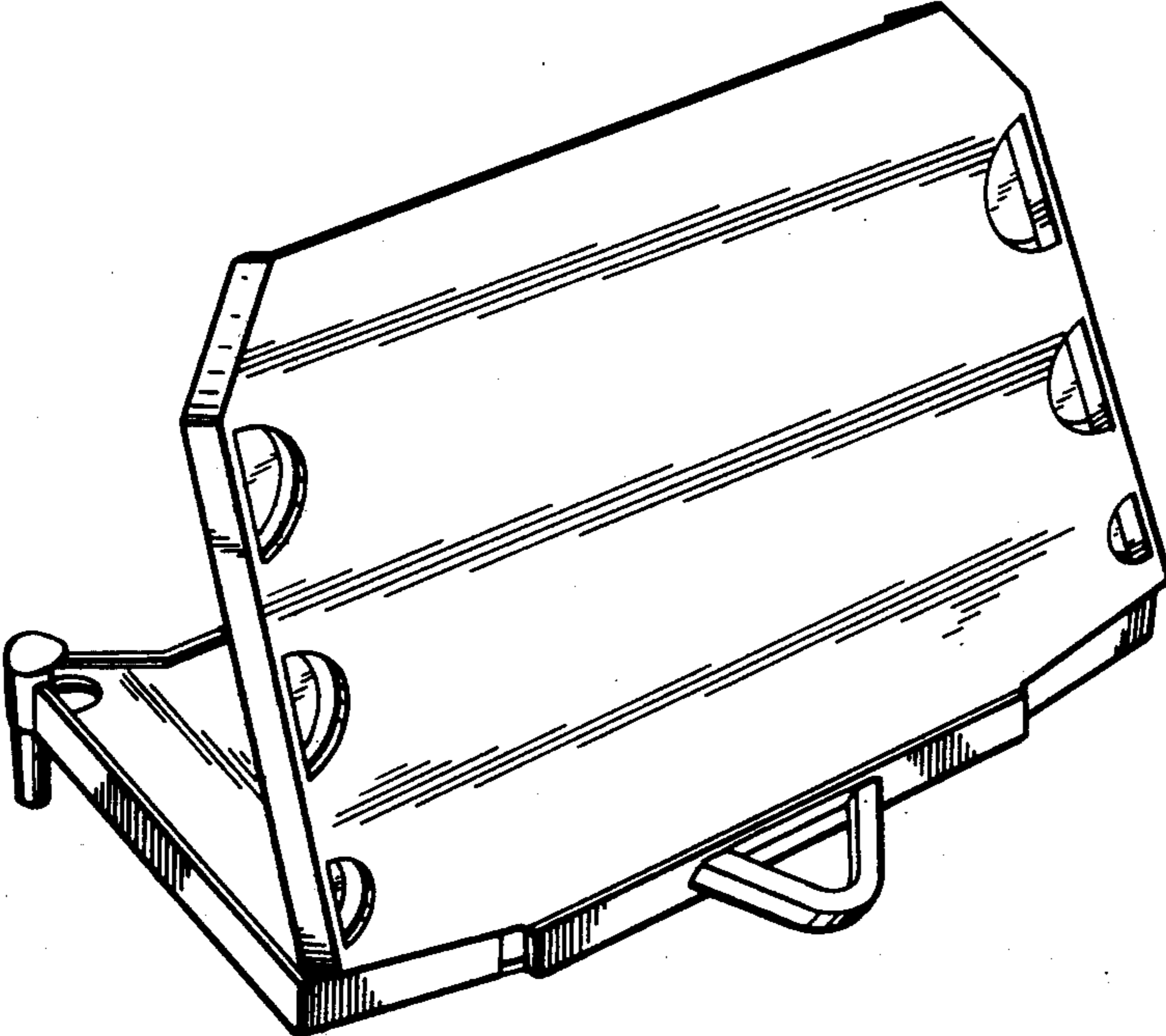


FIG. 3