

[54] SIDE RAIL FOR A PICTURE FRAME
[76] Inventor: Erik Apri, Mariagaten 6 A, S-223 53
Lund, Sweden

2,190,263 2/1940 Gerland D25/75 X
2,837,153 6/1958 Brown et al. D25/74 X
4,035,979 7/1977 Koreska D25/74 X

[**] Term: 14 Years
[21] Appl. No.: 873,746
[22] Filed: Jan. 30, 1978

OTHER PUBLICATIONS

Van Huffel Catalog L-56, p. 57, item 1072/0.025, at top left.

Primary Examiner—A. Hugo Word
Attorney, Agent, or Firm—Leonard J. Robbins

[30] Foreign Application Priority Data
Aug. 1, 1977 [SE] Sweden 771564

[57] CLAIM

The ornamental design for a side rail for a picture frame, as shown and described.

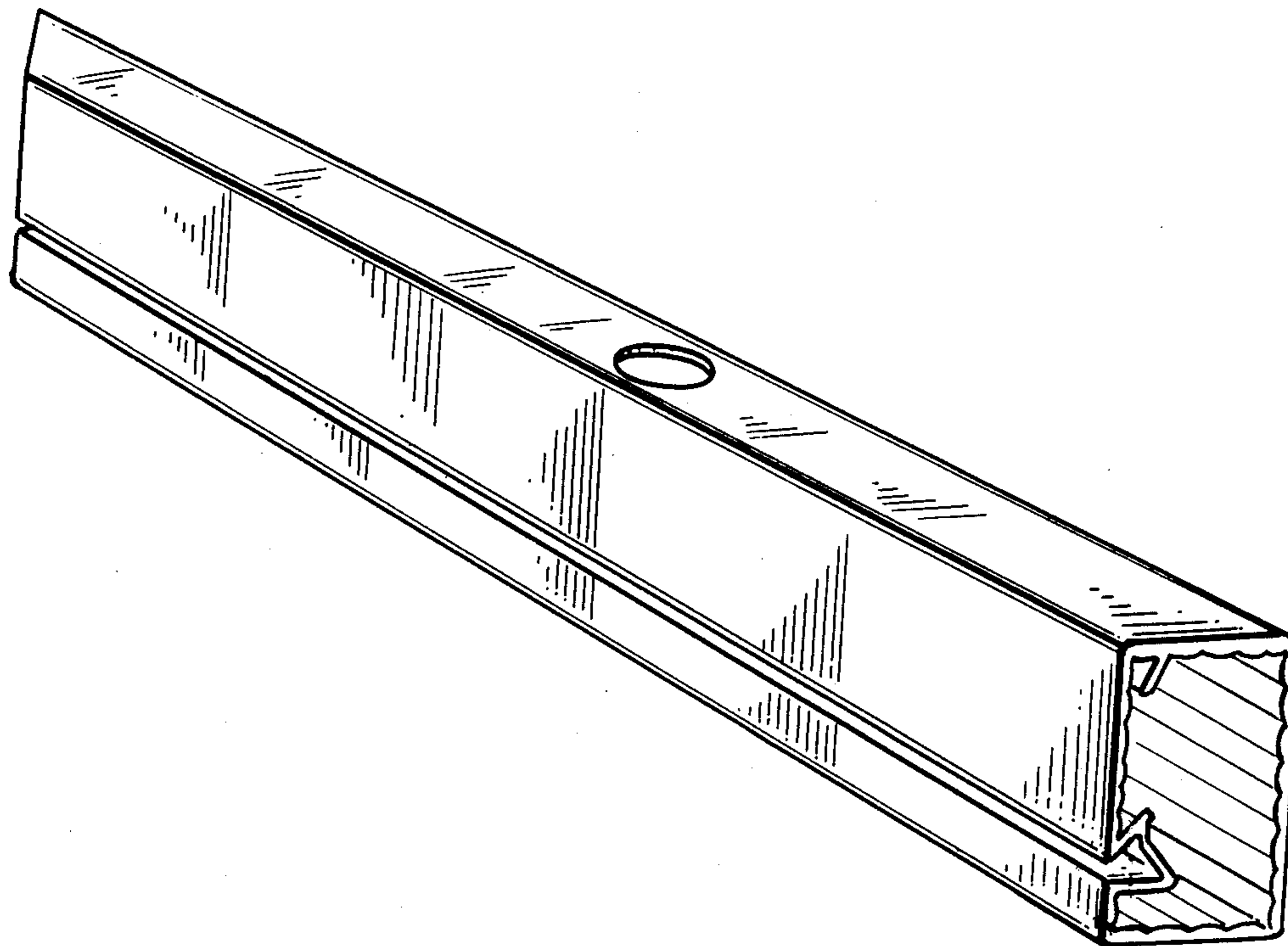
[51] Int. Cl. D25-01
[52] U.S. Cl. D25/79; D25/74;
D25/76; D25/78

DESCRIPTION

[58] Field of Search D6/232, 242, 246, 252;
D25/73, 74, 75, 76, 77, 78, 79, 80, 53; 52/737,
656, 721, 731, 732; 113/116 HA

FIG. 1 is a perspective view;
FIG. 2 is an end view, the other end being a mirror image of this;
FIG. 3 is a plan;
FIG. 4 is a left side elevation;
FIG. 5 is a right side elevation; and
FIG. 6 is a view of the base.

[56] References Cited
U.S. PATENT DOCUMENTS
2,185,904 1/1940 Stowe D25/74 X



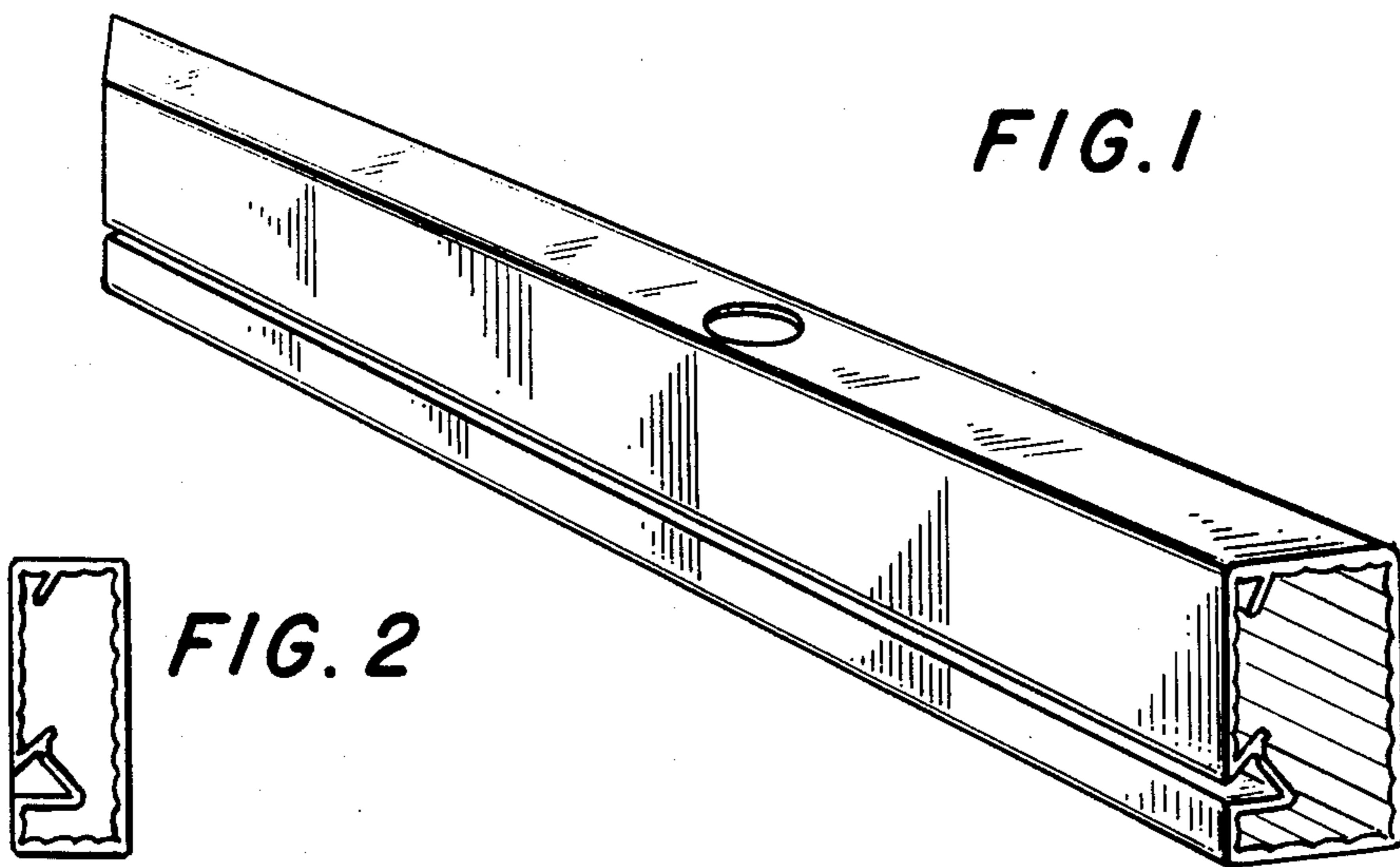


FIG. 2

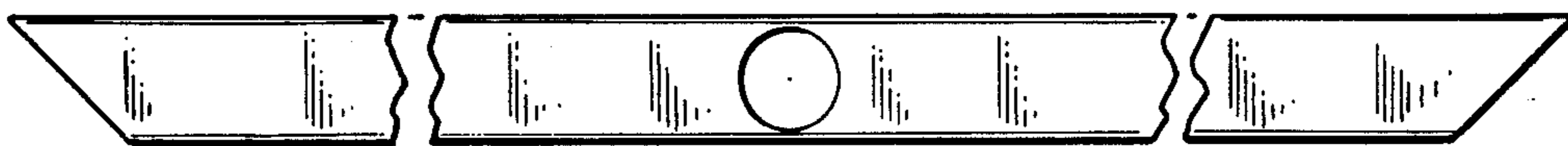


FIG. 3

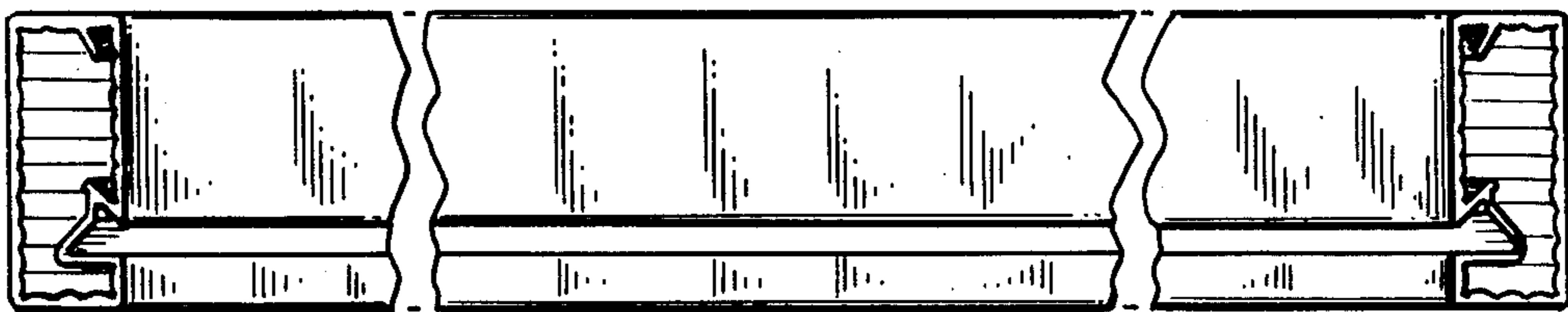


FIG. 4

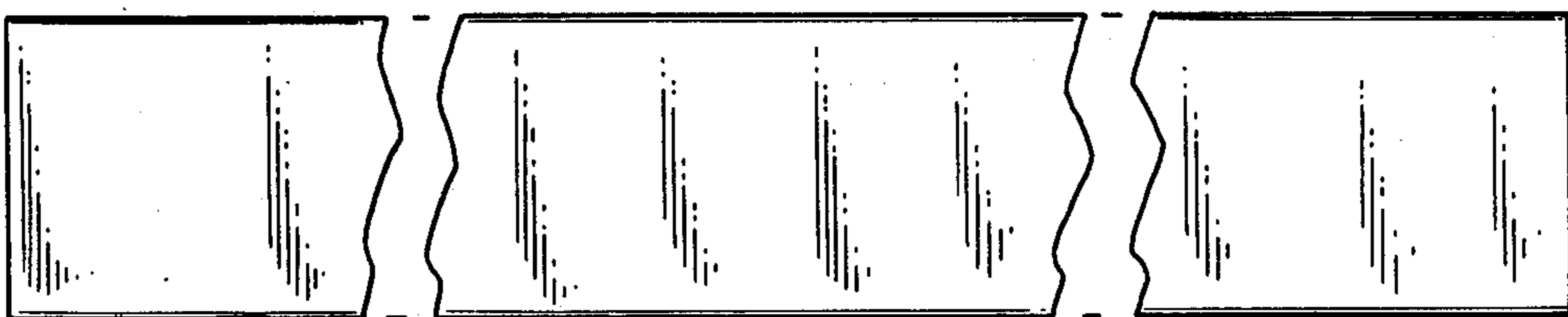


FIG. 5

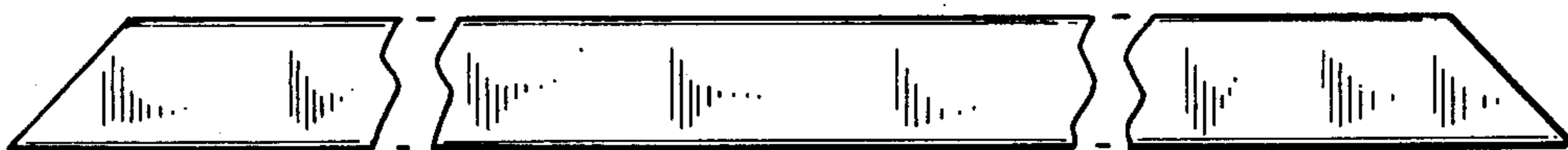


FIG. 6