

[54] DOOR FRAME OR SIMILAR ARTICLE

[75] Inventors: Ernest Balkany, Blue Ash; Larry E. Smallwood; Thomas M. Goens, both of Cincinnati, all of Ohio

[73] Assignee: American Standard Inc., New York, N.Y.

[\*\*] Term: 14 Years

[21] Appl. No.: 767,913

[22] Filed: Feb. 11, 1977

[51] Int. Cl. .... D25-02

[52] U.S. Cl. .... D25/60; D25/74

[58] Field of Search ..... D25/1, 47, 48, 55, 58, D25/59, 60, 61, 73, 74, 75, 76, 77, 78, 79; 52/204, 212

[56] References Cited

U.S. PATENT DOCUMENTS

3,648,424	3/1972	Winyard et al. ....	52/213
4,005,558	2/1977	Barrison .....	D25/60 X
4,015,382	4/1977	Noyes .....	52/204

FOREIGN PATENT DOCUMENTS

2431471 3/1975 Fed. Rep. of Germany ..... 52/204

OTHER PUBLICATIONS

Sweets Architectural Catalog File 1976, section 8.2/st, p. 3, door frame at lower right.

Primary Examiner—A. Hugo Word

Attorney, Agent, or Firm—James J. Salerno, Jr.

[57] CLAIM

The ornamental design for a door frame or similar article, substantially as shown and described.

DESCRIPTION

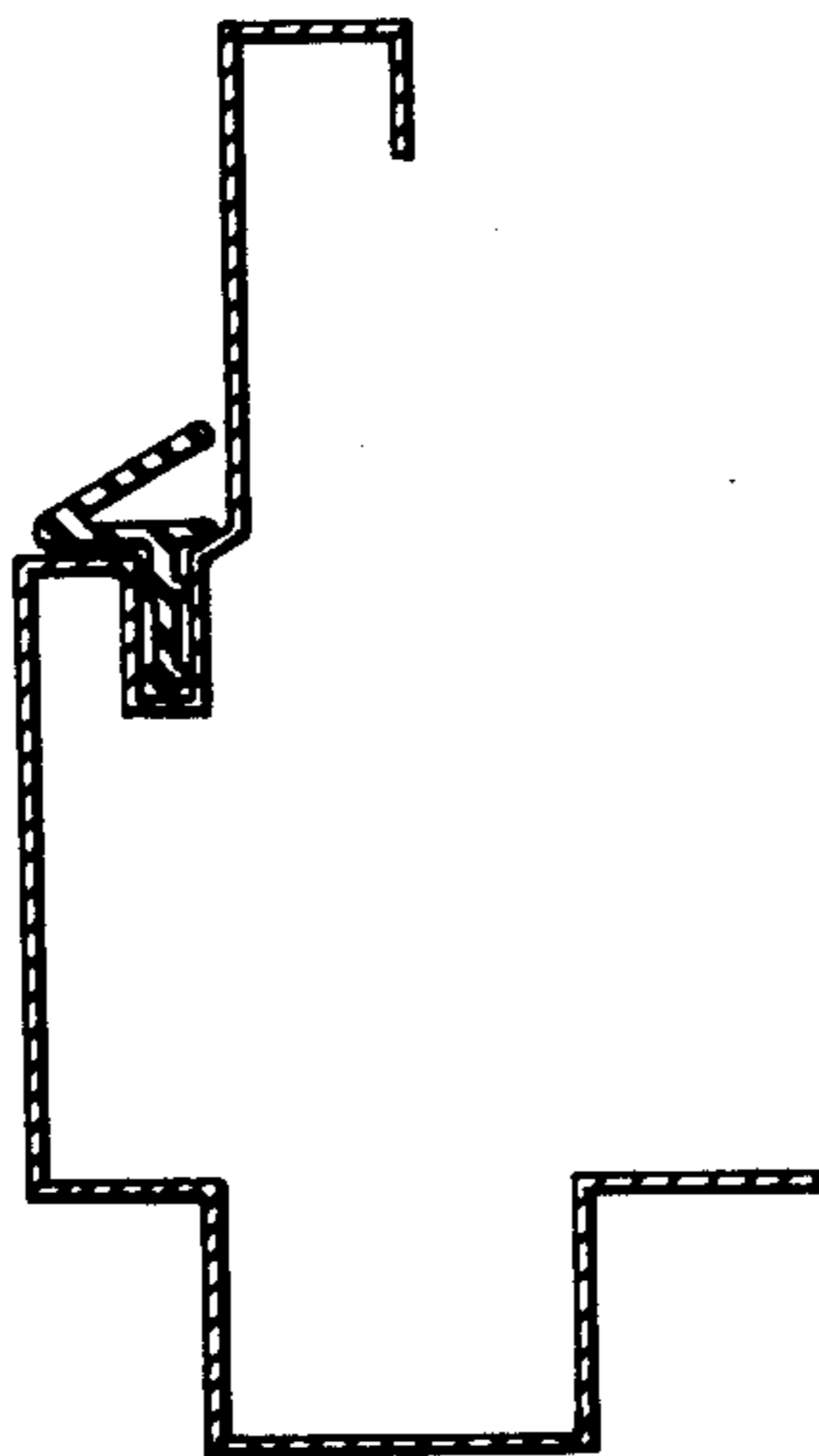
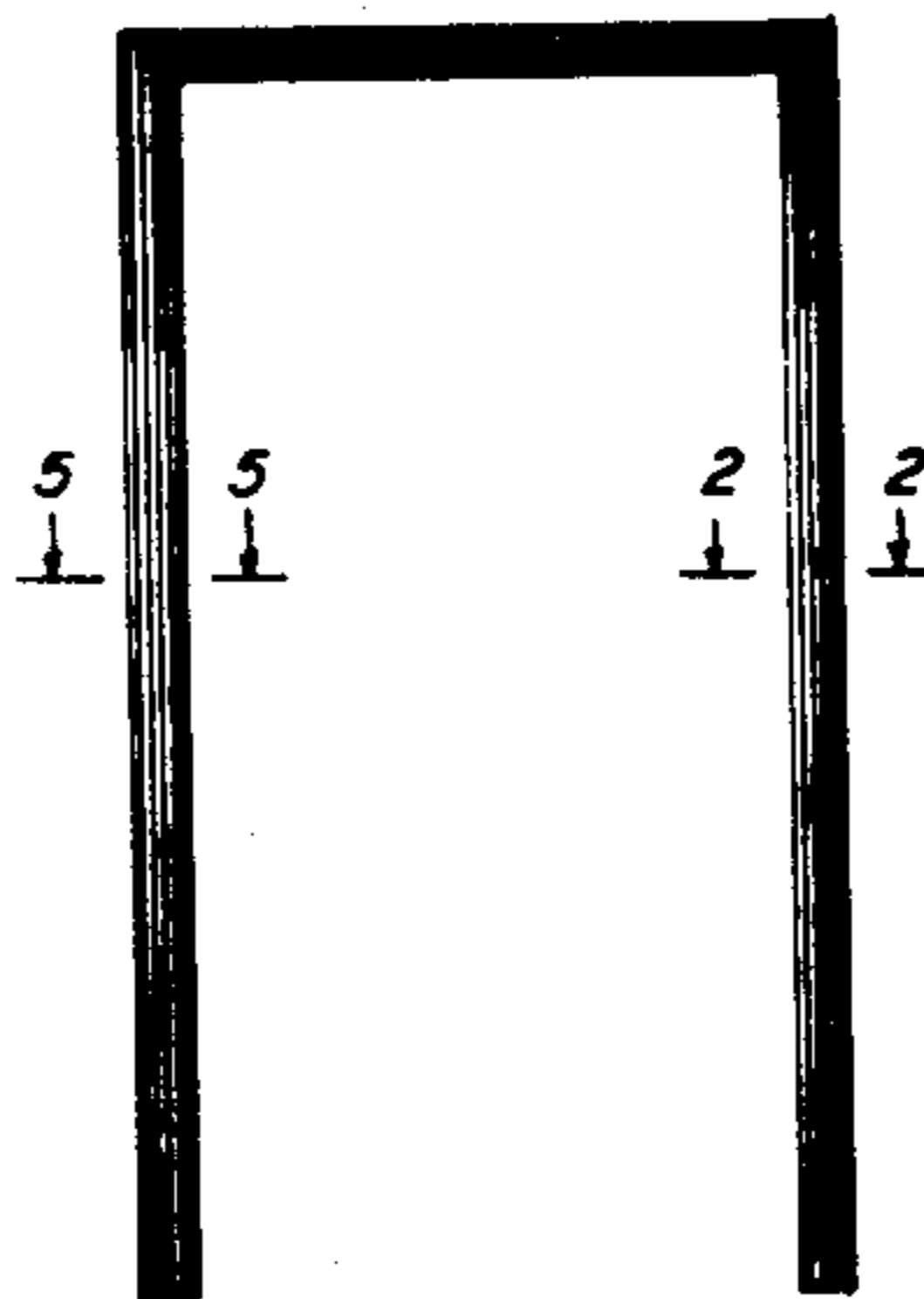
FIG. 1 is an elevation view of a door frame showing our new design;

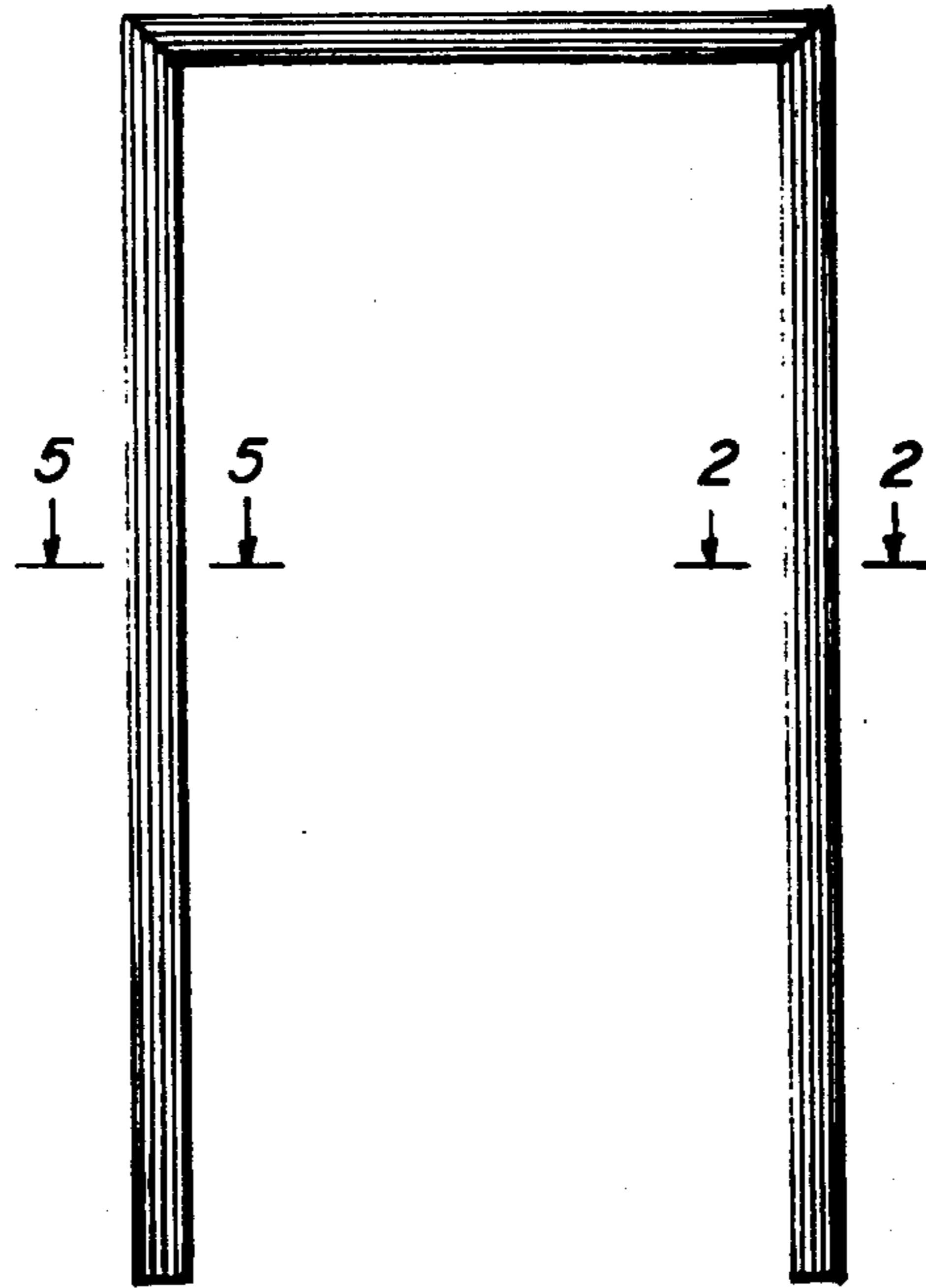
FIG. 2 is a sectional view of the hinge side of the jams taken on line 2—2 of FIG. 1;

FIG. 3 is a fragmentary perspective view of the section shown in FIG. 2;

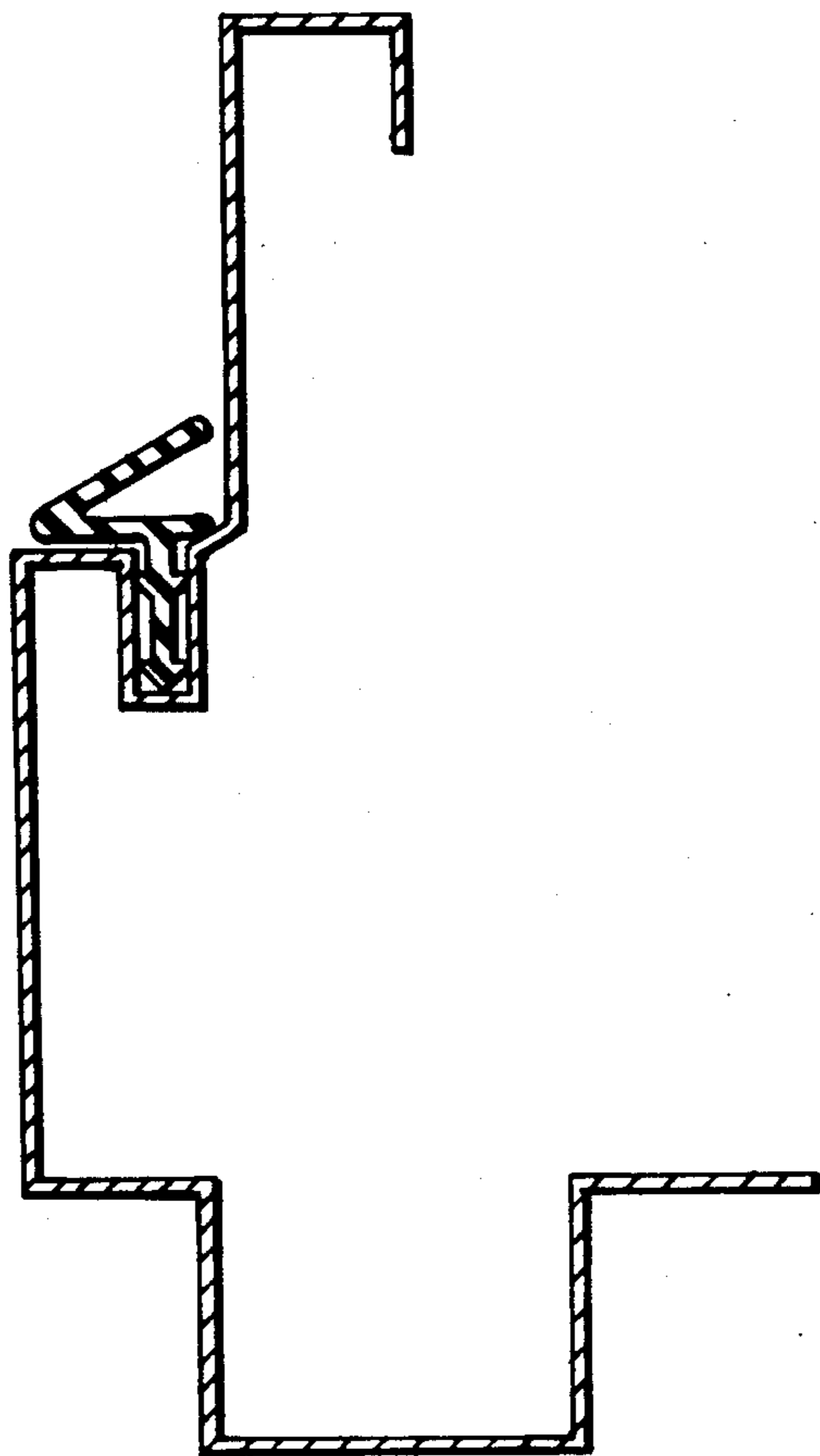
FIG. 4 is a fragmentary perspective view of the section shown in FIG. 2 taken from the other side; and,

FIG. 5 is a sectional view of the strike side of the jams taken on line 5—5 of FIG. 1.



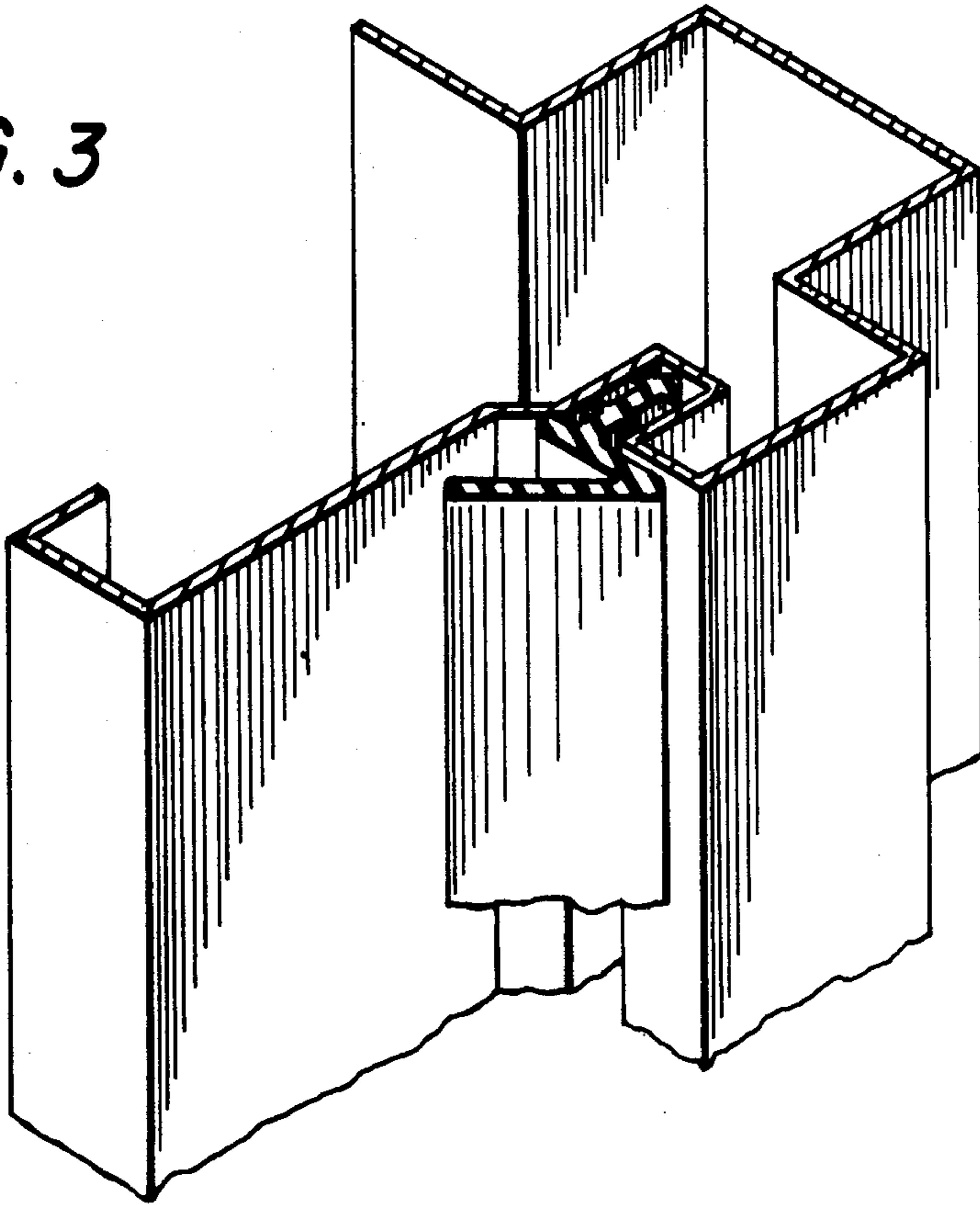


*FIG. 1*

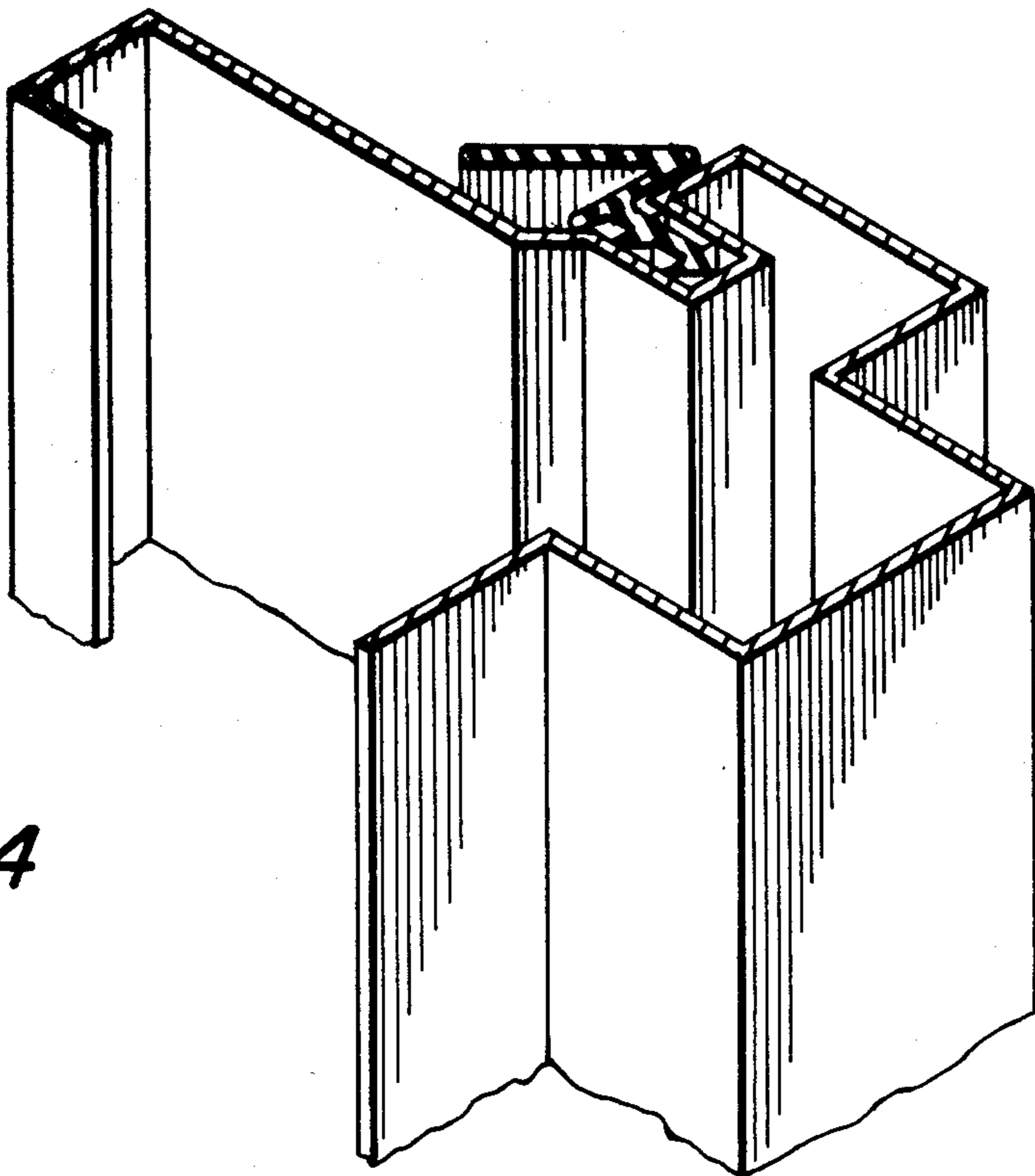


*FIG. 2*

**FIG. 3**



**FIG. 4**



*FIG. 5*

