

[54] ELECTRIC HEATER

[75] Inventors: **Ronald E. Edin**, New Durham, N.H.;
Philip G. Aberizk, Methuen, Mass.;
Norman A. Mathieu, Exeter, N.H.;
Ruth G. Petersen, Medfield, Mass.

[73] Assignee: **GTE Sylvania Incorporated**,
Stamford, Conn.

[**] Term: **14 Years**

[21] Appl. No.: **755,709**

[22] Filed: **Dec. 30, 1976**

[51] Int. Cl. **D23—03**

[52] U.S. Cl. **D23/77**

[58] Field of Search **D23/72, 77, 129;**
D28/12, 13; D24/8, 99; 431/350, 351, 352, 353,
354, 355; 219/364, 368, 369, 370, 373, 375, 379,
381, 531

[56] **References Cited**

U.S. PATENT DOCUMENTS

D. 225,056	11/1972	Brooks et al.	D23/77
3,576,471	4/1971	Schumacher	431/255 X
3,654,431	4/1972	Brooks et al.	219/373

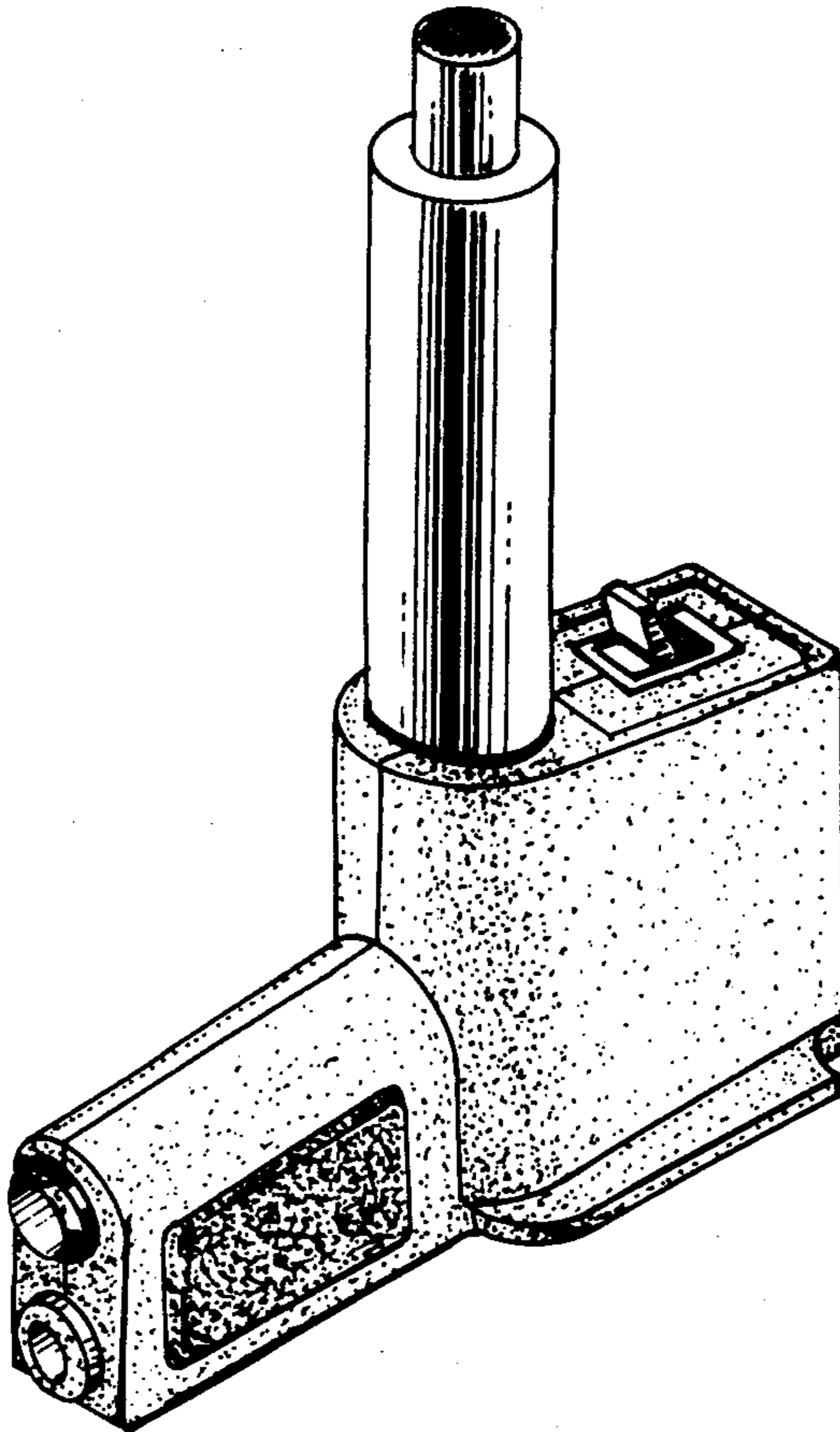
Primary Examiner—Wallace R. Burke
Assistant Examiner—Catherine Kemper
Attorney, Agent, or Firm—James Theodosopoulos

[57] **CLAIM**

The ornamental design for an electric heater, as shown and described.

DESCRIPTION

FIG. 1 is a perspective view of an electric heater showing our new design.
FIG. 2 is a top plan view thereof.
FIG. 3 is a front elevational view thereof.
FIG. 4 is a rear elevational view thereof.
The bottom surface of the device is substantially planar and unornamented.



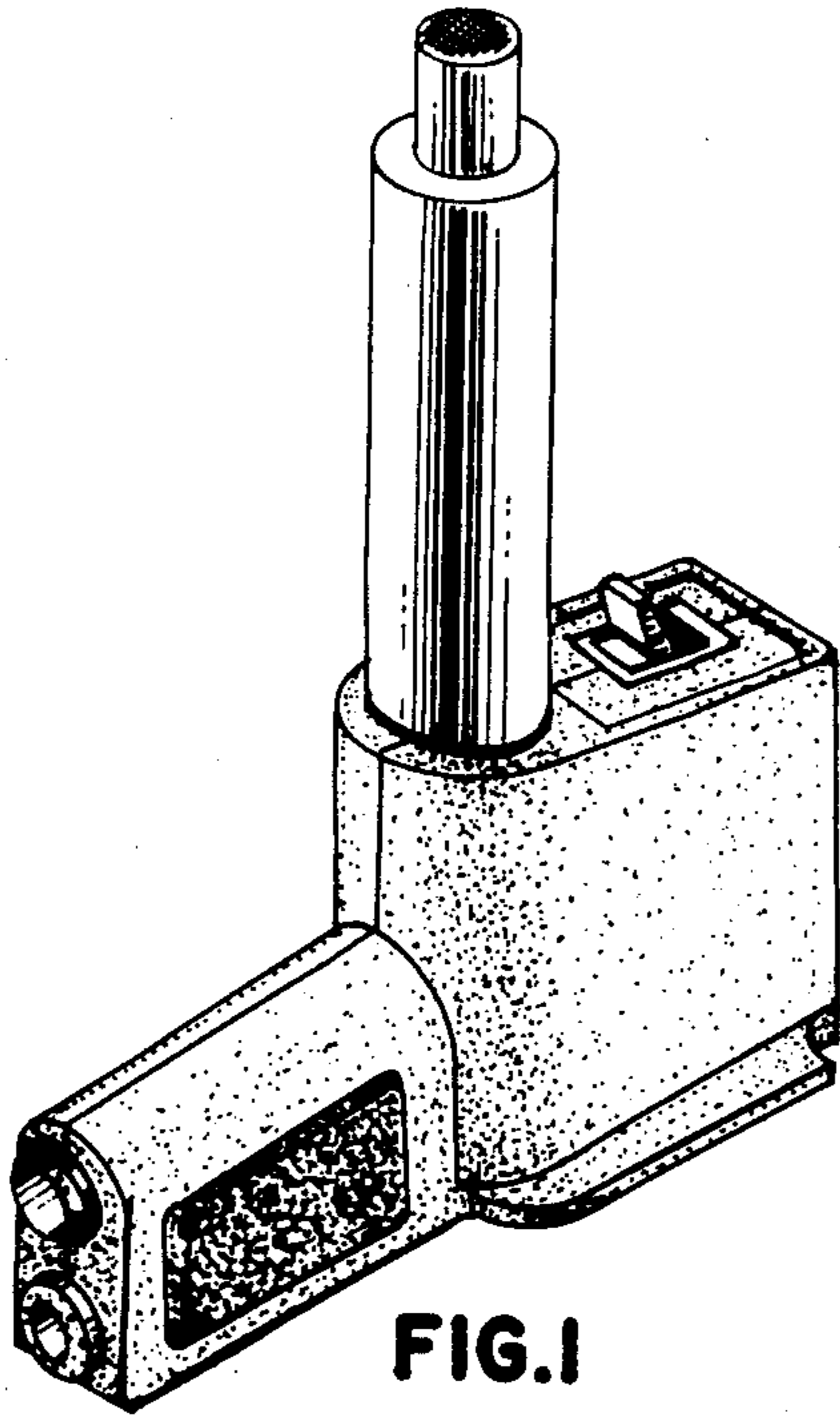


FIG. 1

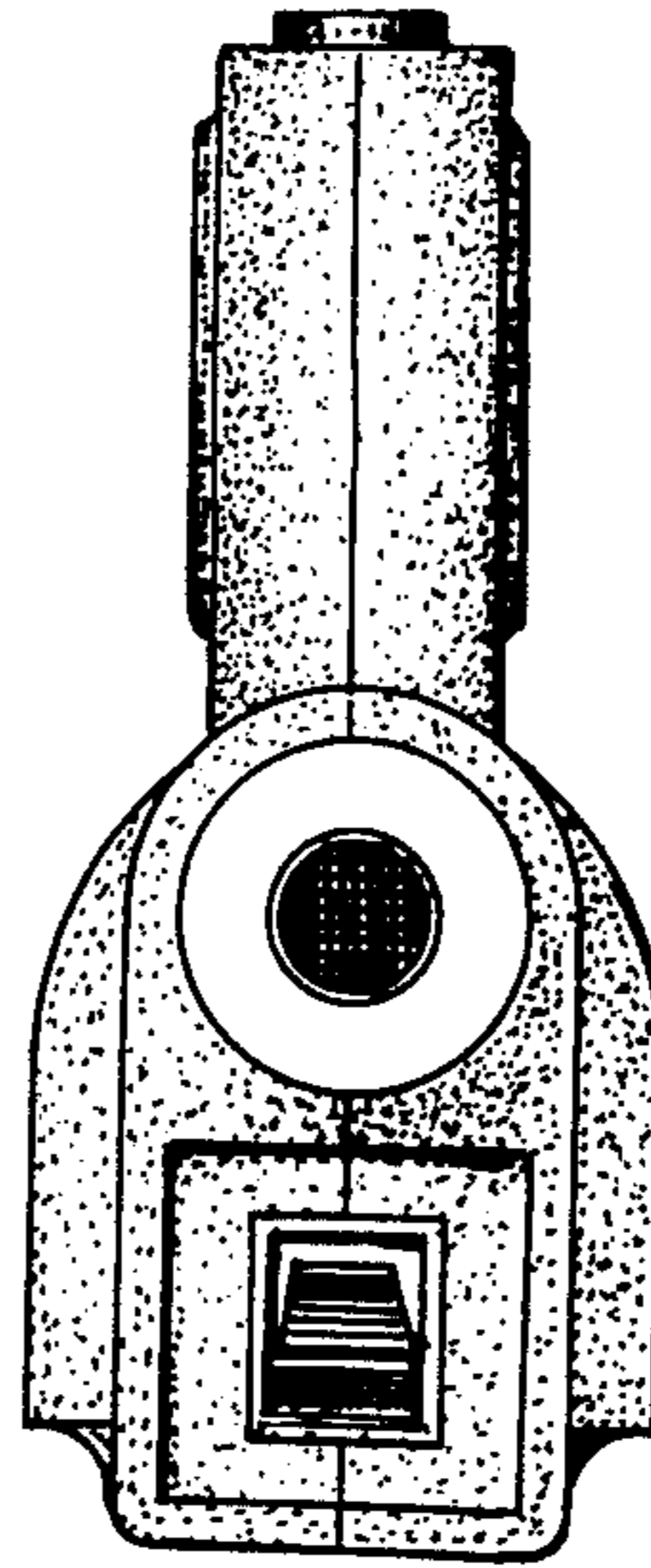


FIG. 2

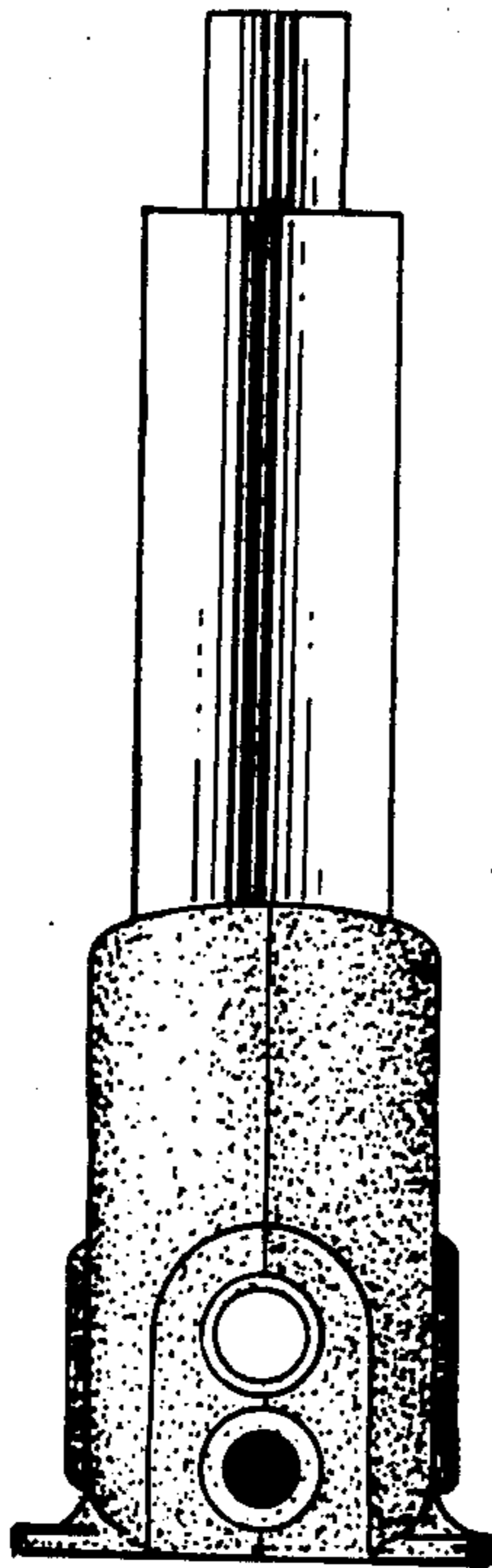


FIG. 3

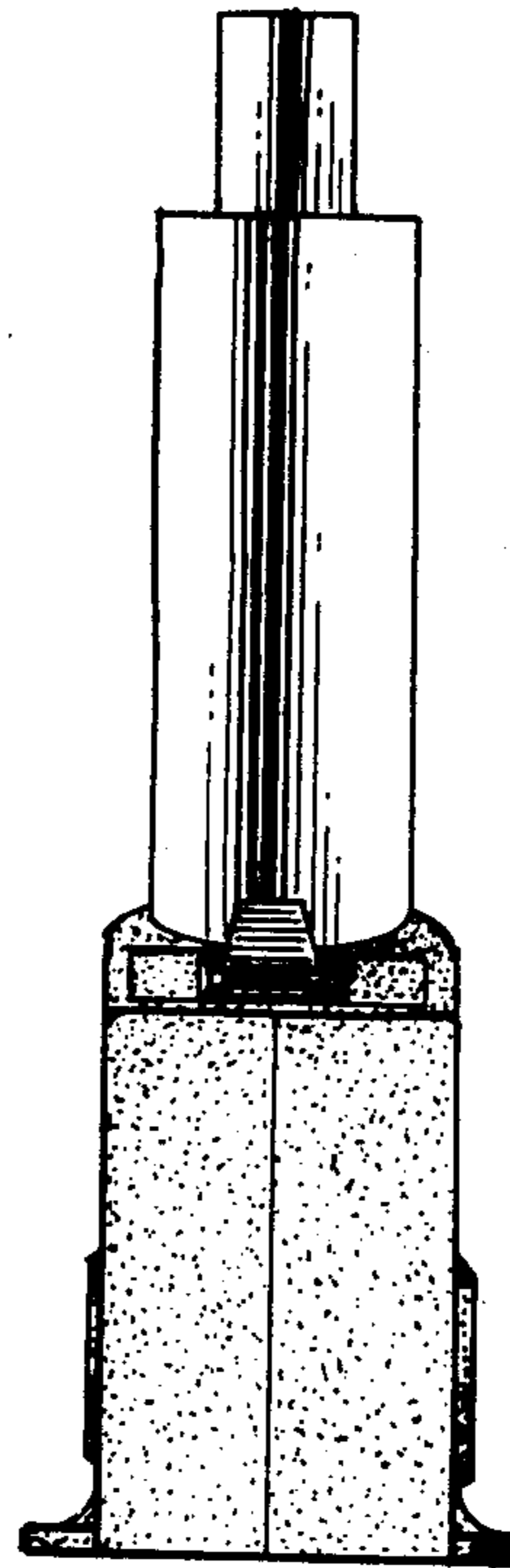


FIG. 4