

[54] **SPRAYER OR SIMILAR ARTICLE**  
[75] Inventor: **Jacob DeGelder**, Rancho Palos Verdes, Calif.  
[73] Assignee: **The Leisure Group**  
[\*\*] Term: **14 Years**  
[21] Appl. No.: **766,985**  
[22] Filed: **Feb. 9, 1977**  
[51] Int. Cl. .... **D23—01**  
[52] U.S. Cl. .... **D23/18**  
[58] Field of Search ..... **D23/17, 18, 34-40; 239/310, 318**

3,632,046 1/1972 Hangesbach ..... 239/318  
3,829,023 8/1974 Bouillard et al. .... 239/318  
3,940,069 2/1976 Gunzel, Jr. et al. .... 239/318

*Primary Examiner*—James R. Largen  
*Attorney, Agent, or Firm*—Harold L. Jackson

[57] **CLAIM**

The ornamental design for a sprayer or similar article, substantially as shown and described.

**DESCRIPTION**

FIG. 1 is a perspective view taken from the front and right side of a sprayer or similar article showing my new design;  
FIG. 2 is a perspective view taken from the rear and left side thereof;  
FIG. 3 is a front perspective view of a modified form of the sprayer or similar article shown in FIG. 1;  
FIG. 4 is a front perspective view of a second modified form of the sprayer or similar article shown in FIG. 1; and  
FIG. 5 is a front perspective view of a third modified form of the sprayer or similar article shown in FIG. 1.

[56] **References Cited**  
**U.S. PATENT DOCUMENTS**  
D. 206,008 10/1966 Stork, Jr. .... D23/18  
D. 234,952 4/1975 Rouquie ..... D23/18  
D. 235,063 5/1975 Gunzel, Jr. et al. .... D23/18  
D. 237,796 11/1975 Wagner ..... D23/18  
1,769,428 7/1930 Gatchet ..... D23/18 X  
3,447,753 6/1969 Proctor et al. .... 239/318 X

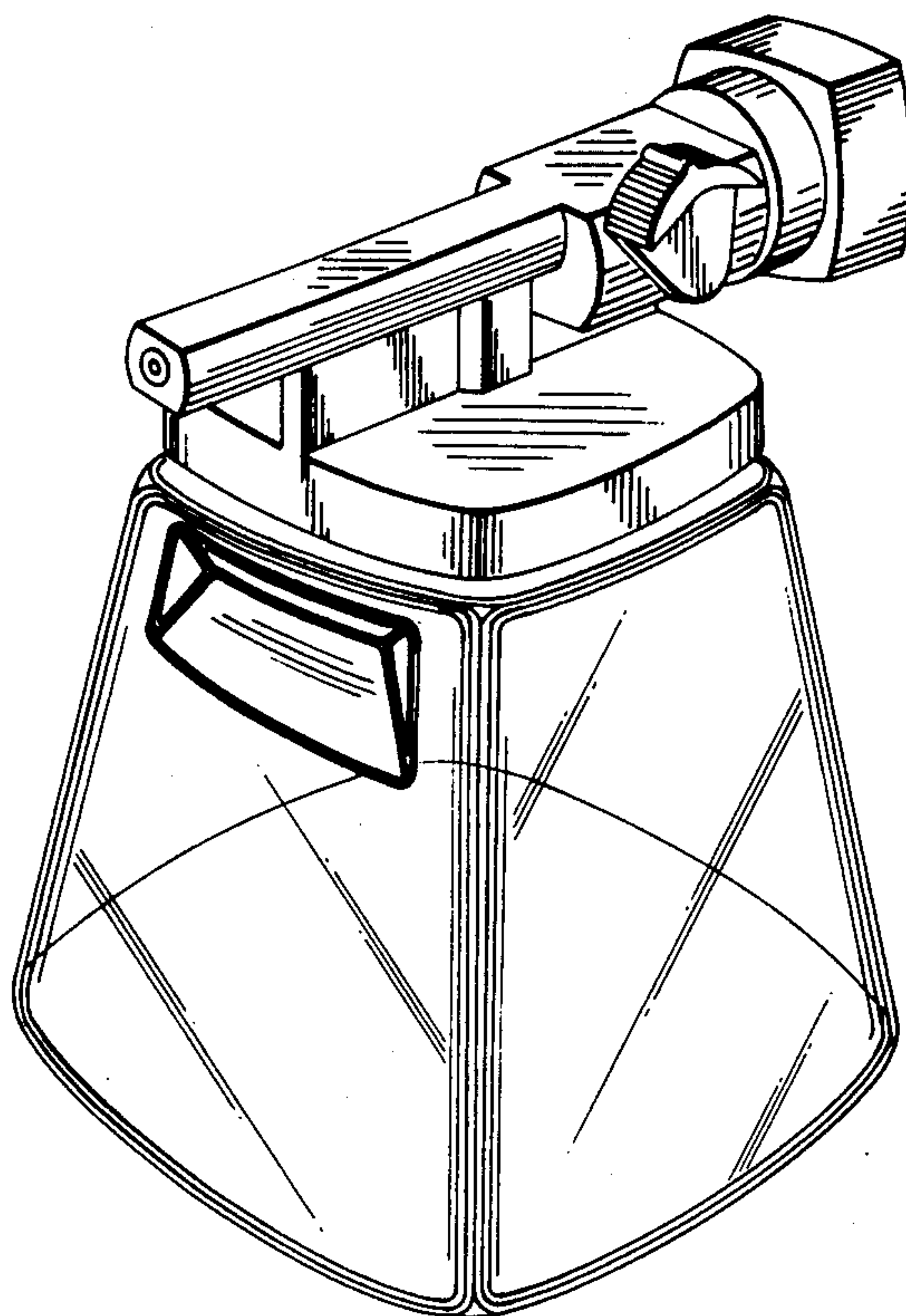


FIG. 1

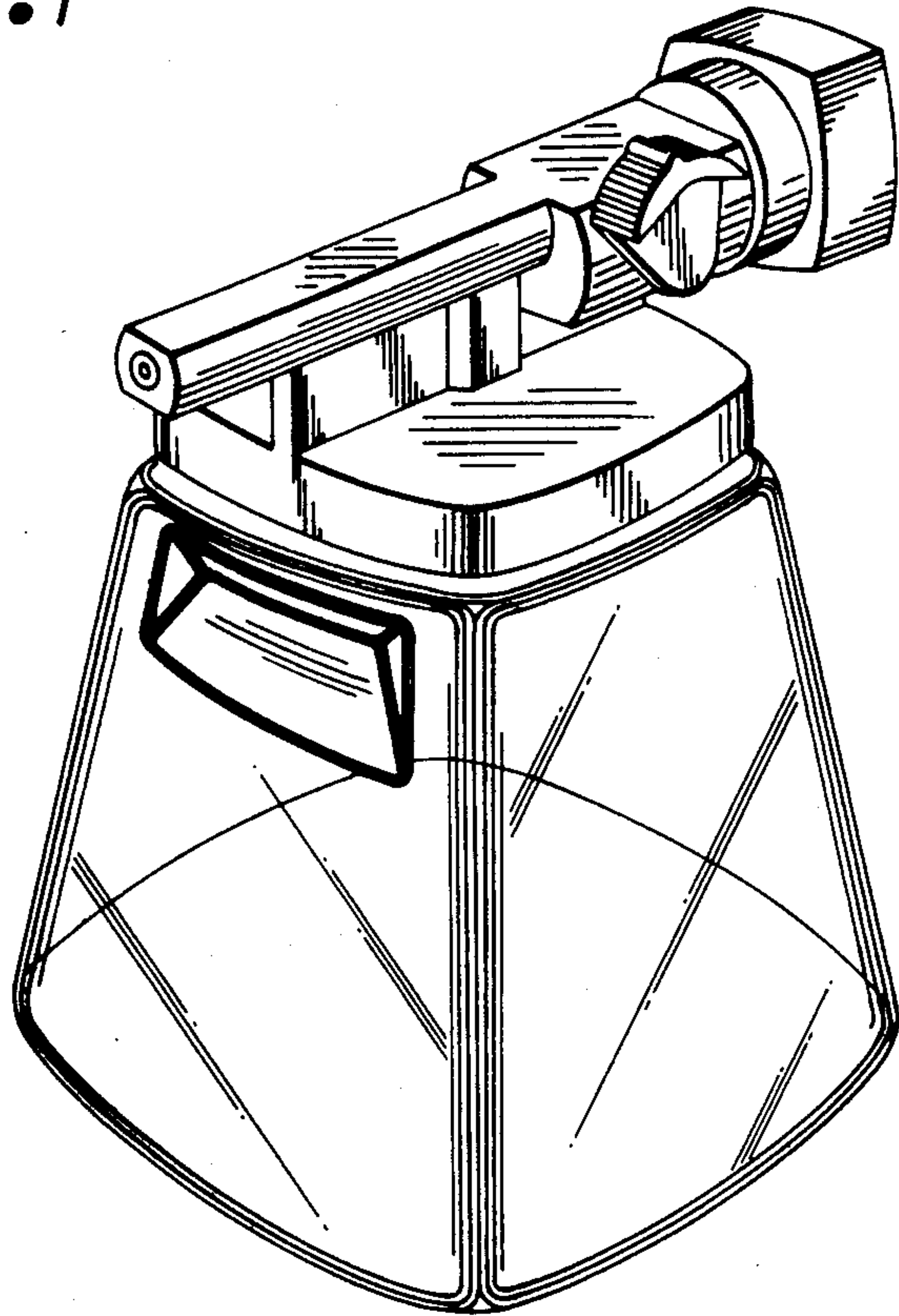
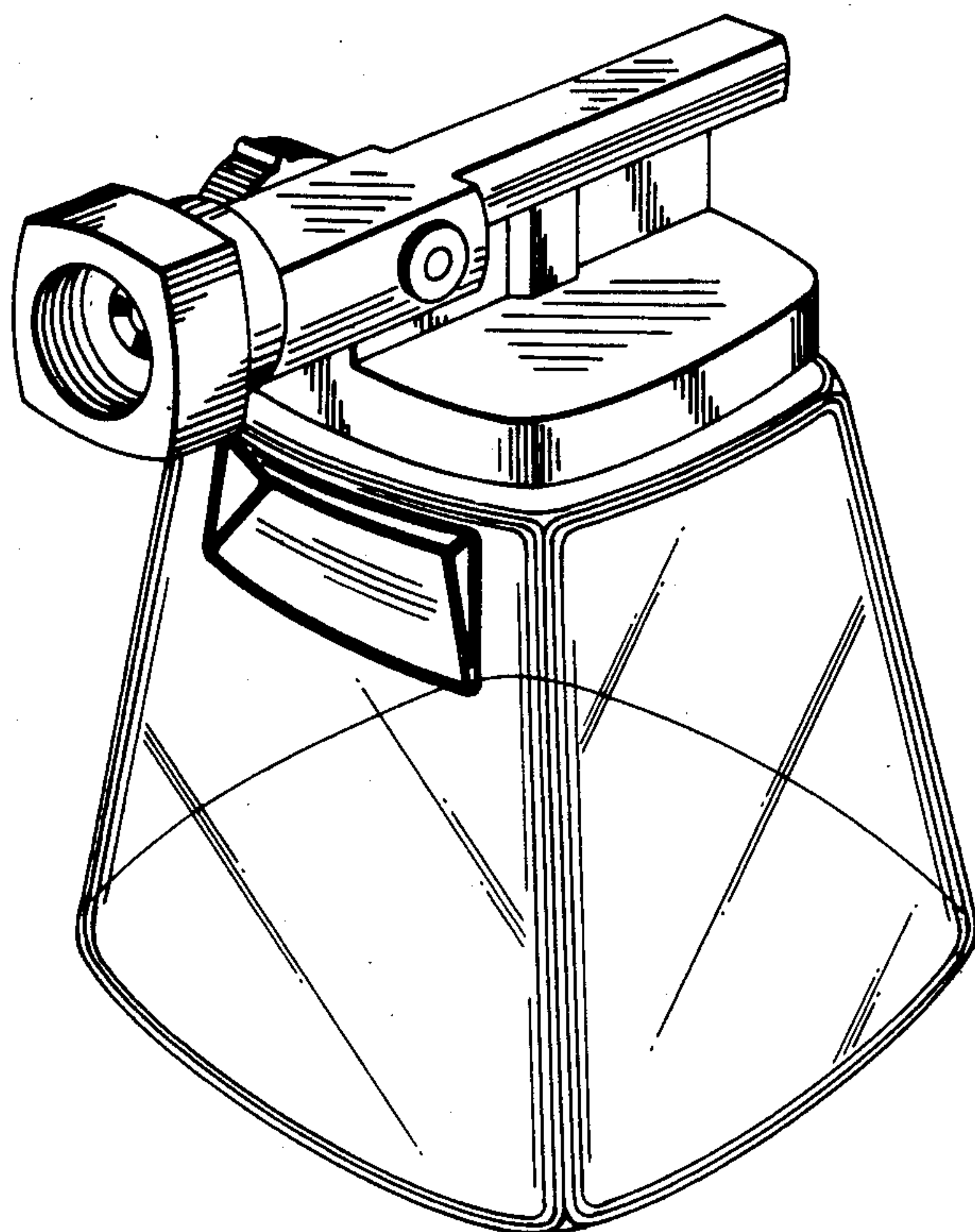


FIG. 2





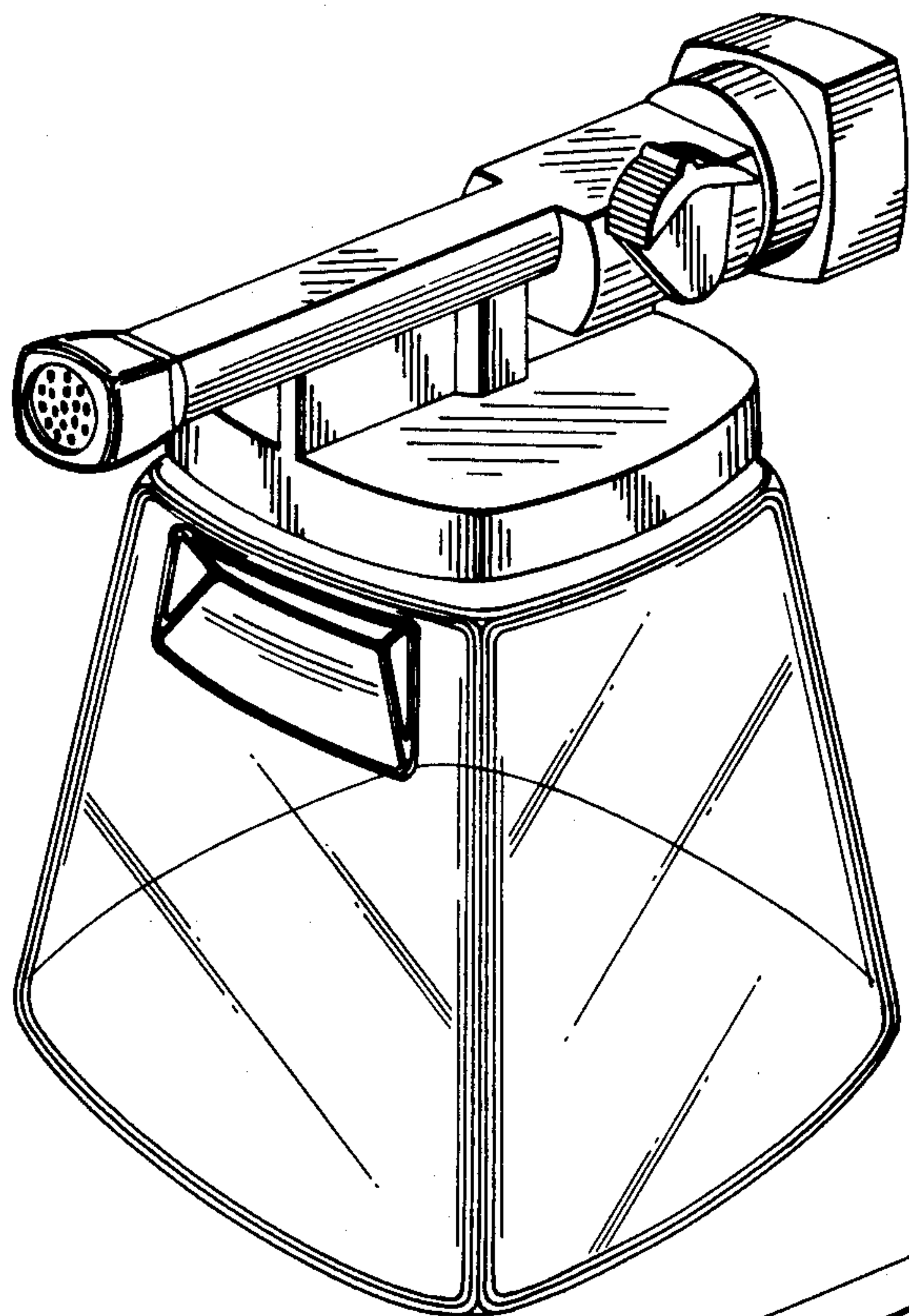


FIG. 3

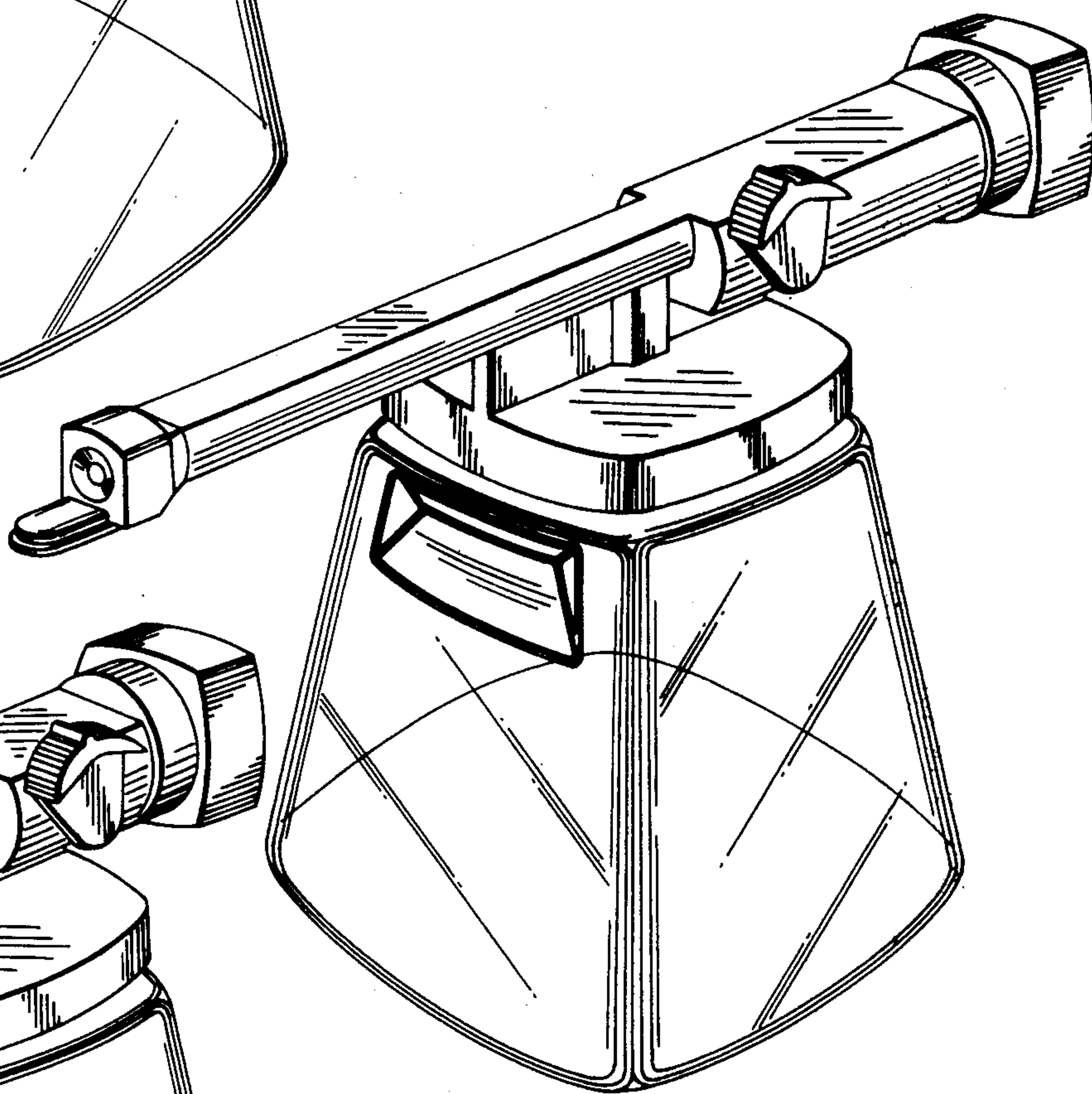


FIG. 4

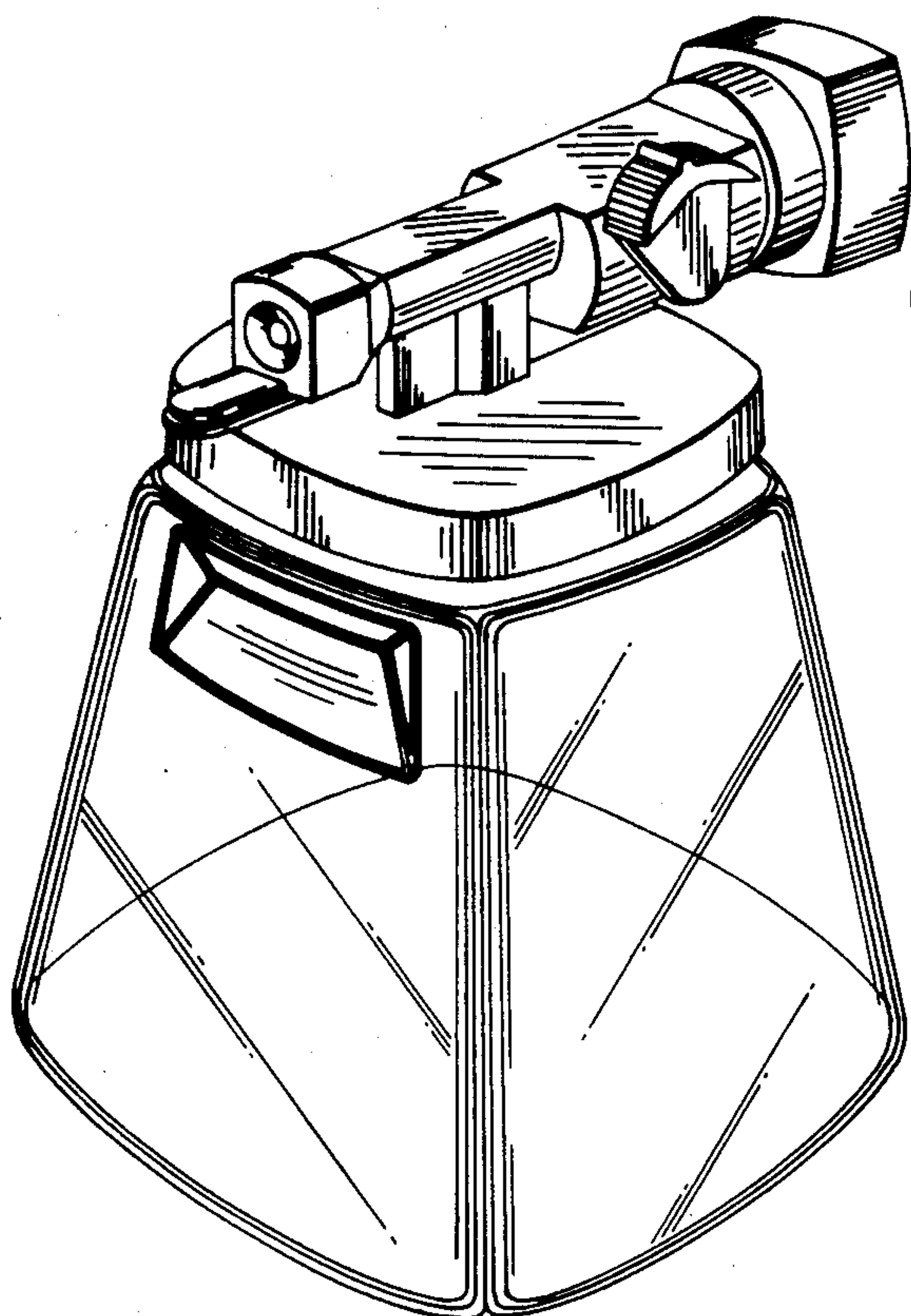


FIG. 5