

[54] COPY HOLDER FOR A TYPIST

[76] Inventors: Clifford L. Moody; John M. Moody, both of 6230 Gunter Way, San Jose, Calif. 95123

[\*\*] Term: 14 Years

[21] Appl. No.: 828,252

[22] Filed: Aug. 26, 1977

[51] Int. Cl. .... D19-02

[52] U.S. Cl. .... D19/91; D19/89

[58] Field of Search ..... D19/75, 86, 90, 91, D19/89; D6/142, 184; 211/42, 43; 248/441 R, 441 C, 442.2, 447; 40/341, 342-346

2,617,386 11/1952 Kao et al. .... 40/346

FOREIGN PATENT DOCUMENTS

403208 6/1966 Switzerland ..... 248/441 A

Primary Examiner—Joel Stearman  
 Assistant Examiner—George P. Word  
 Attorney, Agent, or Firm—Yoshio Katayama

[56] References Cited  
 U.S. PATENT DOCUMENTS

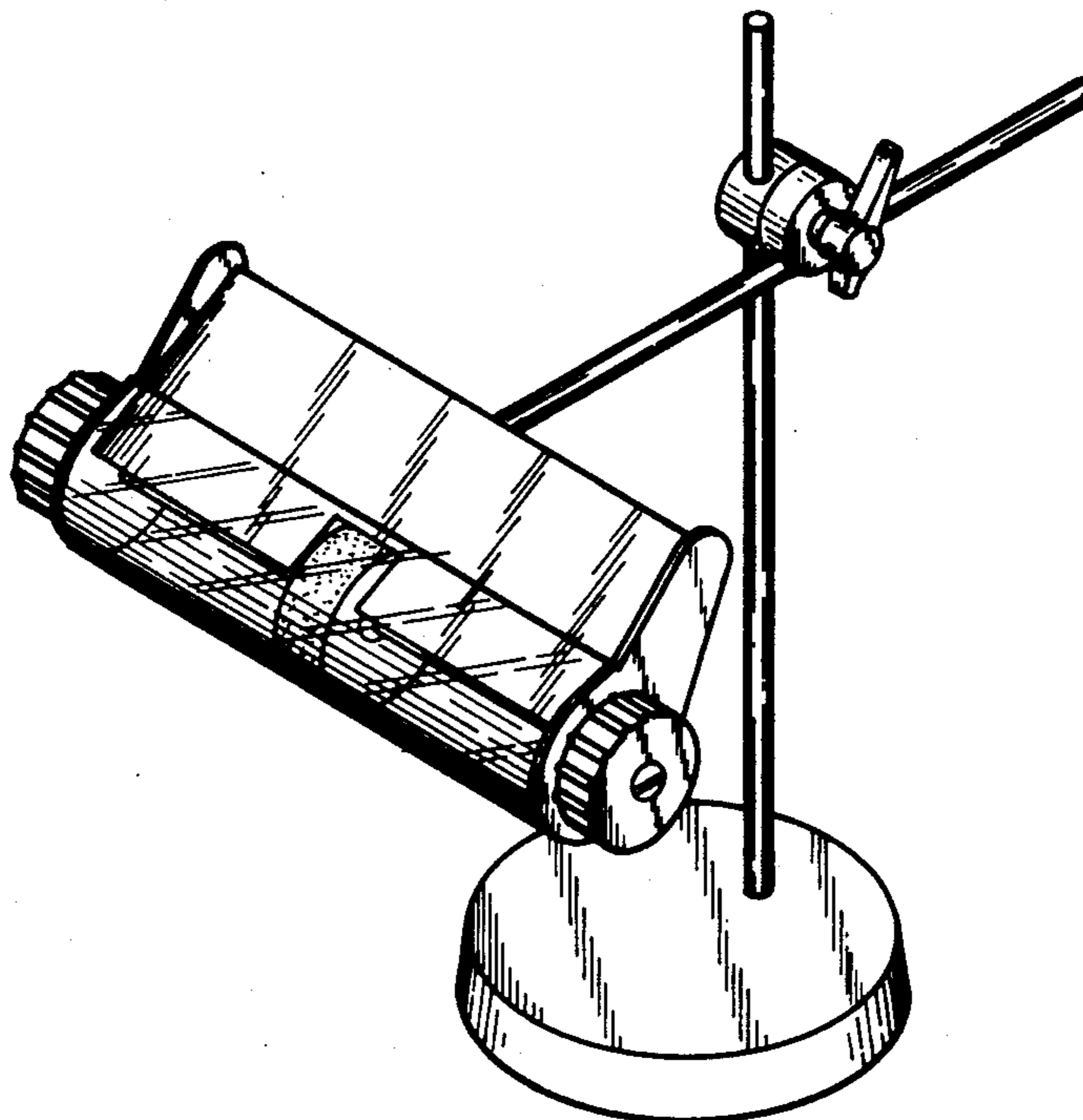
D. 184,634 3/1959 Olson ..... D19/91  
 1,042,373 10/1912 Horne ..... 40/346  
 1,198,186 9/1916 Brown ..... 248/441 C

[57] CLAIM

The ornamental design for a copy holder for a typist, as shown and described.

DESCRIPTION

FIG. 1 is a perspective view of a copy holder for a typist showing our new design;  
 FIG. 2 is a front elevational view thereof;  
 FIG. 3 is a right side elevational view thereof;  
 FIG. 4 is a left side elevational view thereof;  
 FIG. 5 is a rear elevational view thereof; and  
 FIG. 6 is a top plan view thereof with the adjustable arm in an alternate position.



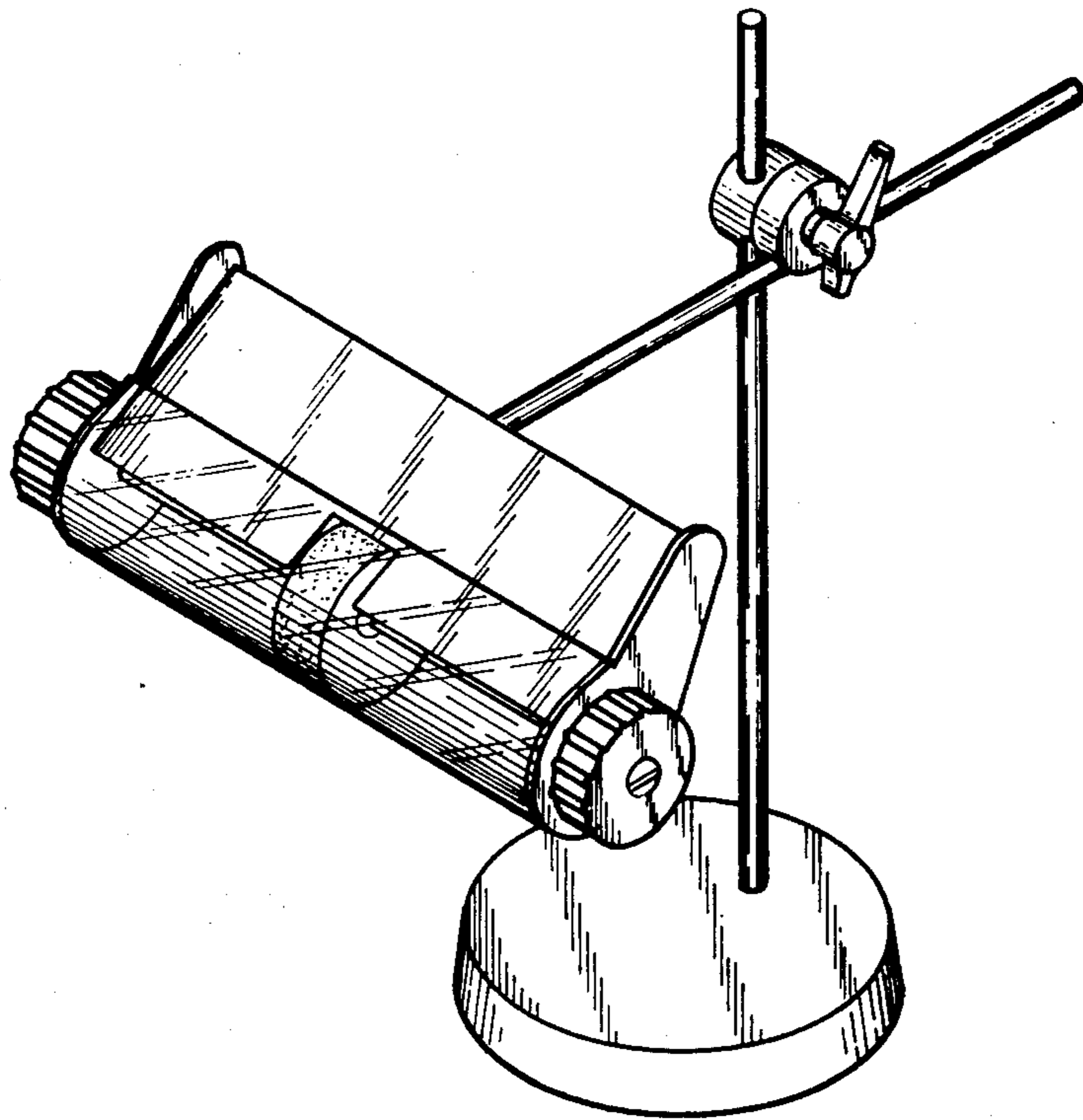


FIG. 1

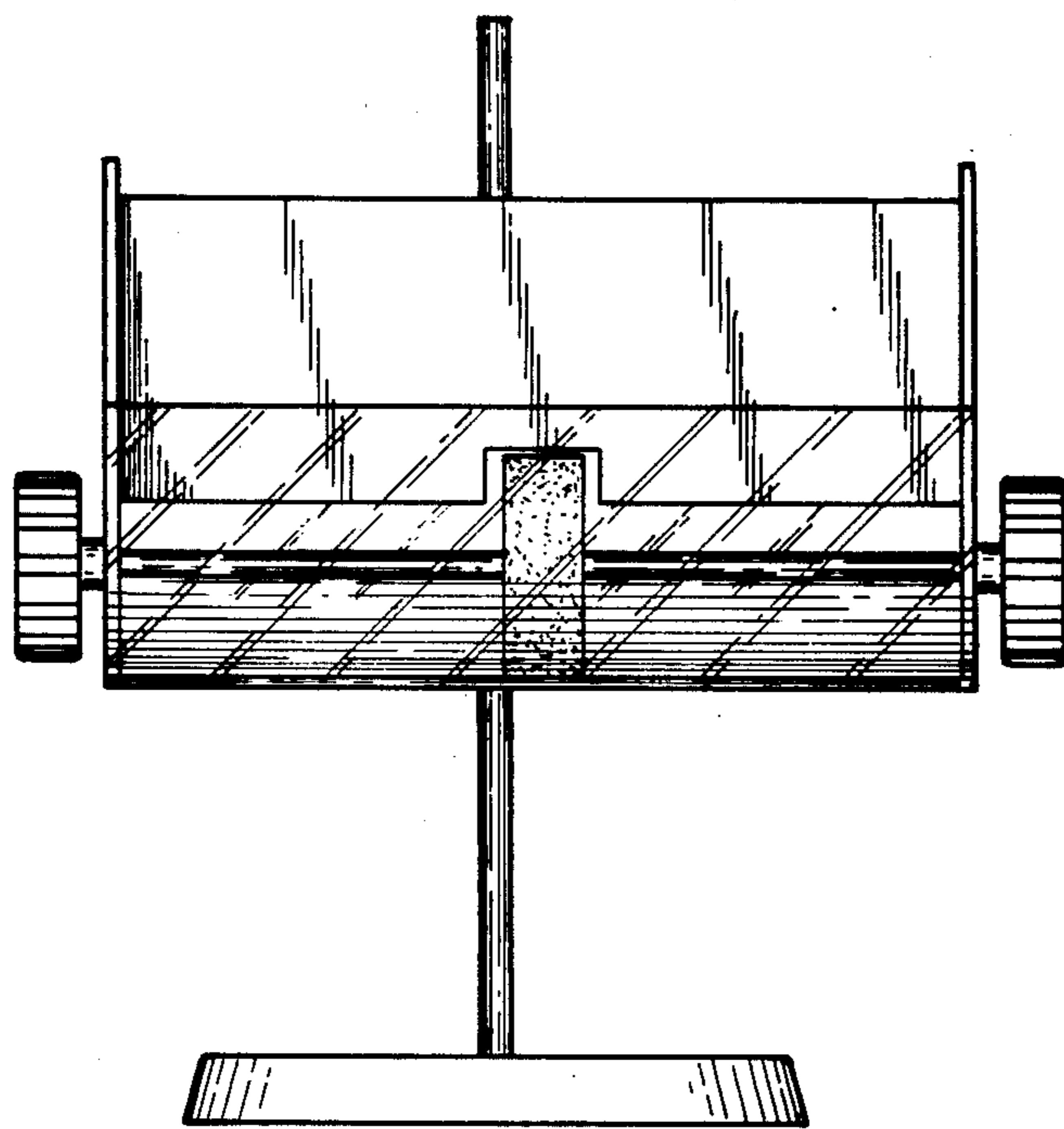


FIG. 2

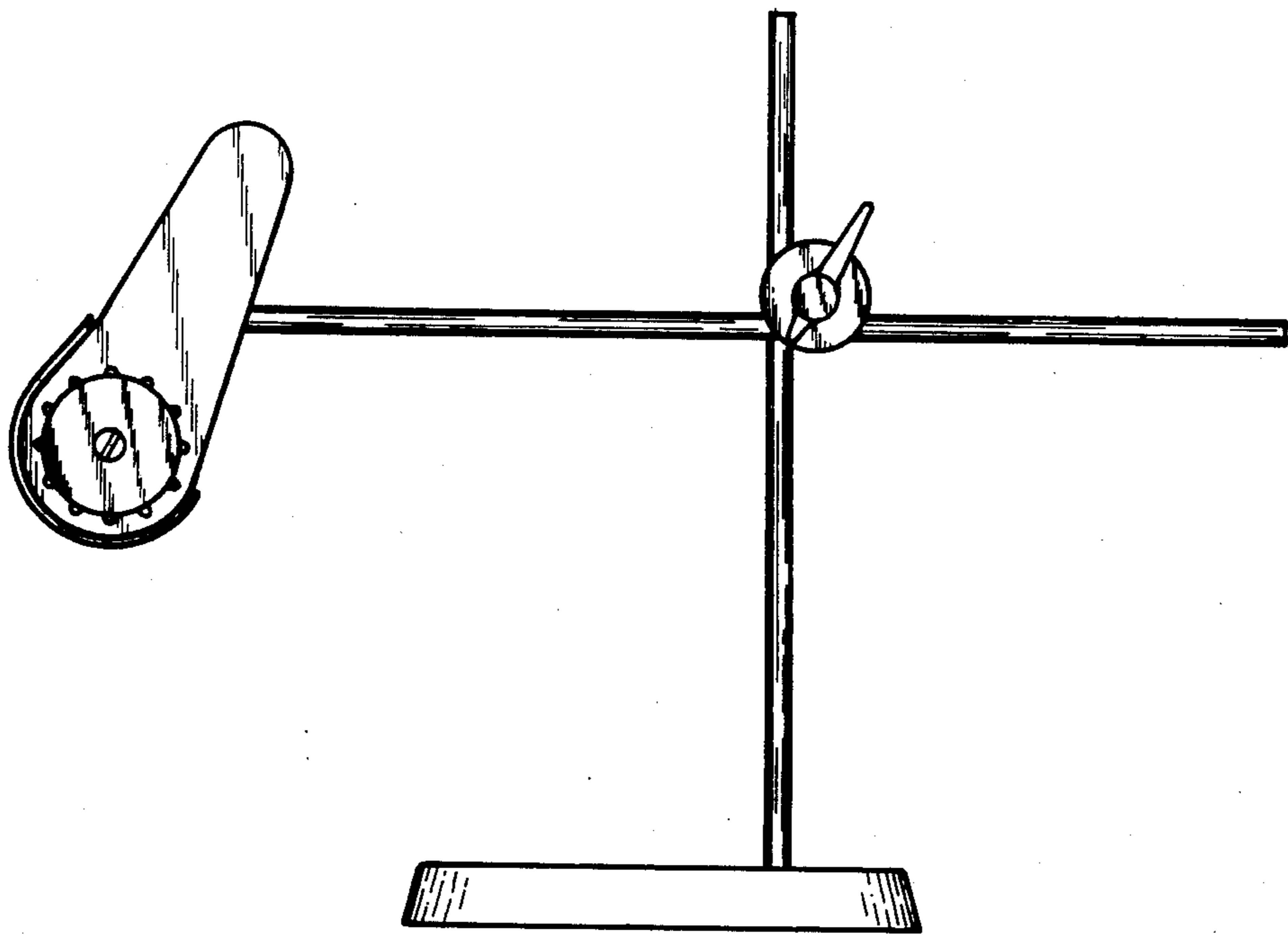


FIG. 3

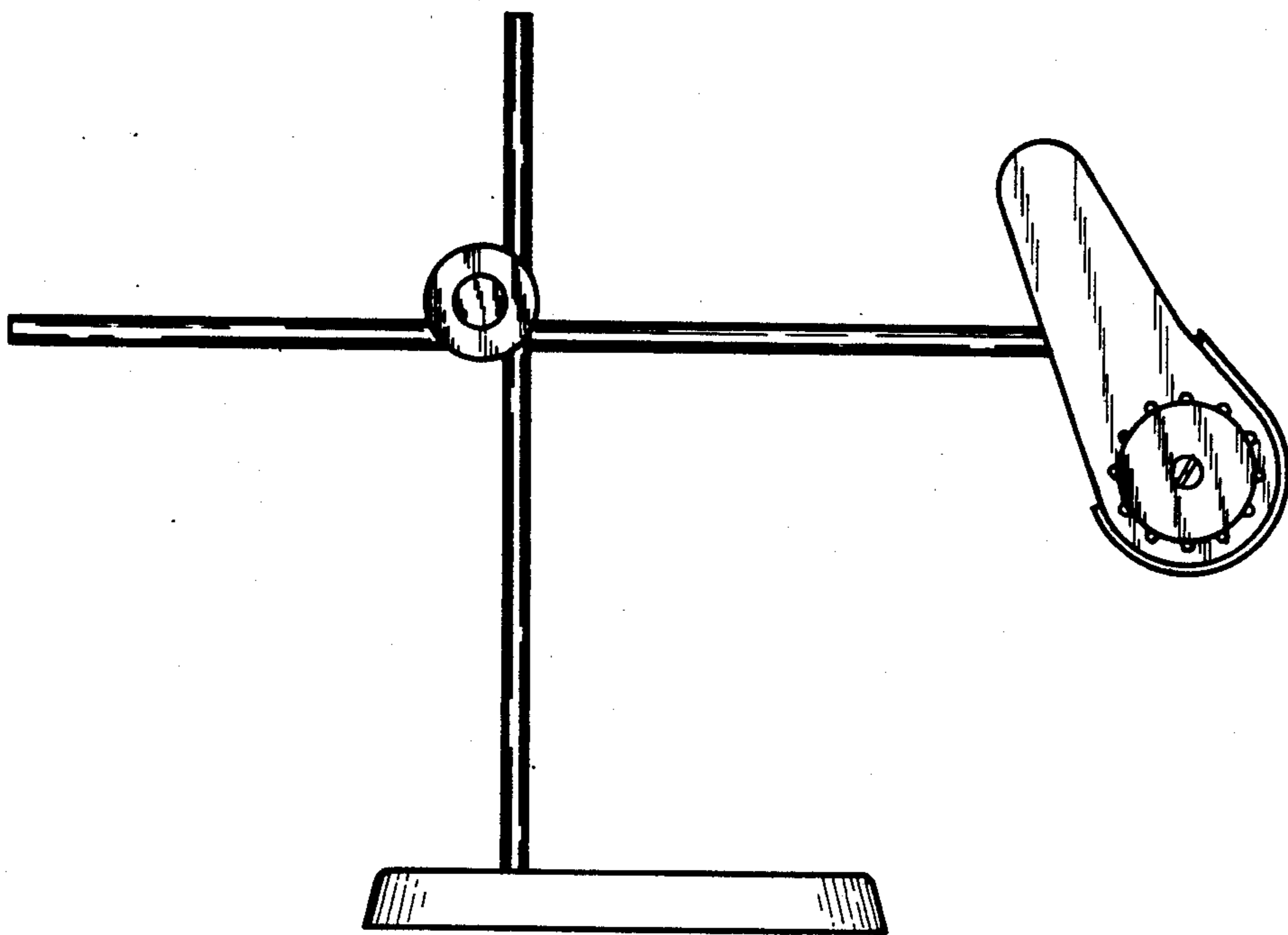


FIG. 4

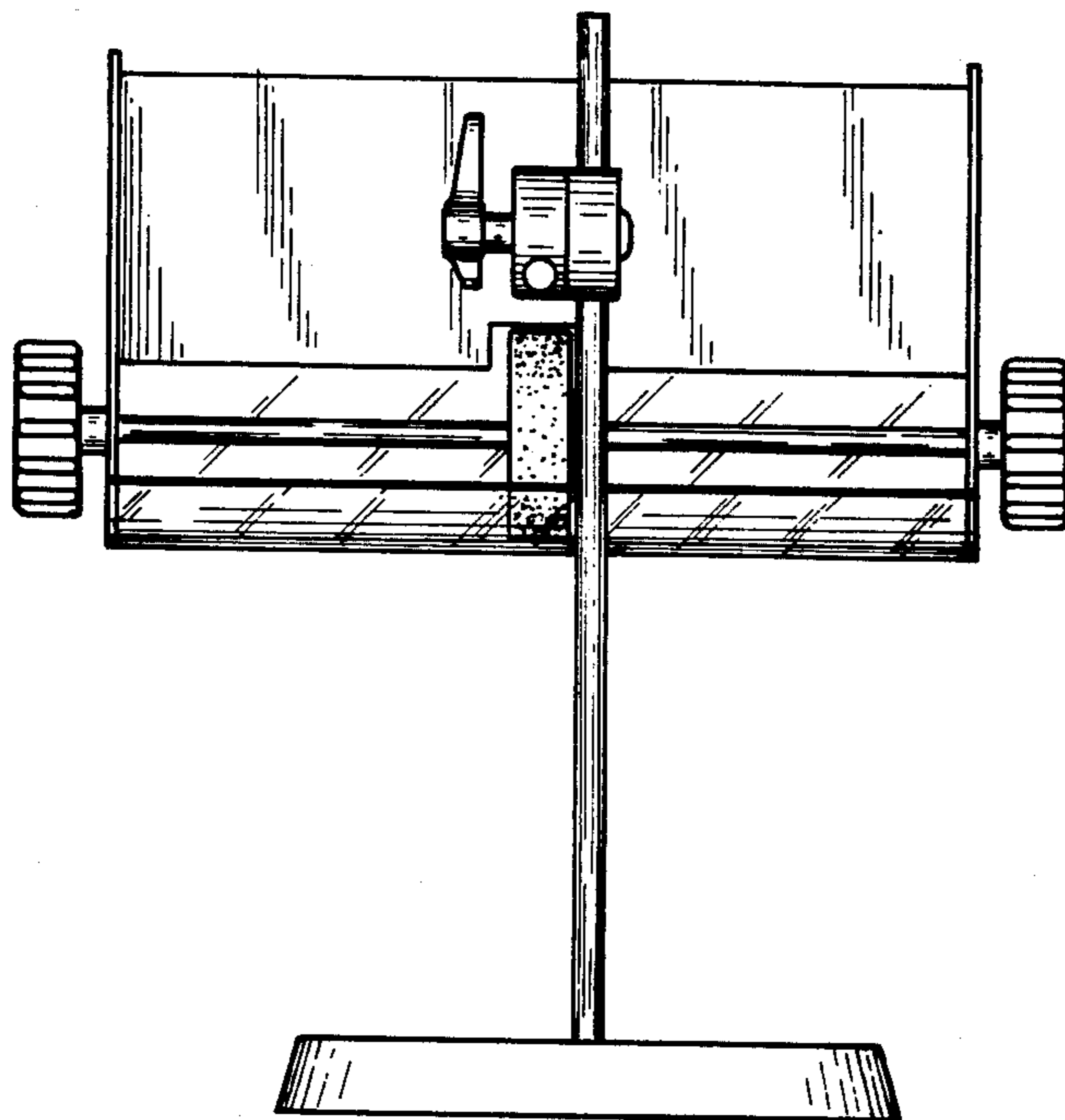


FIG. 5

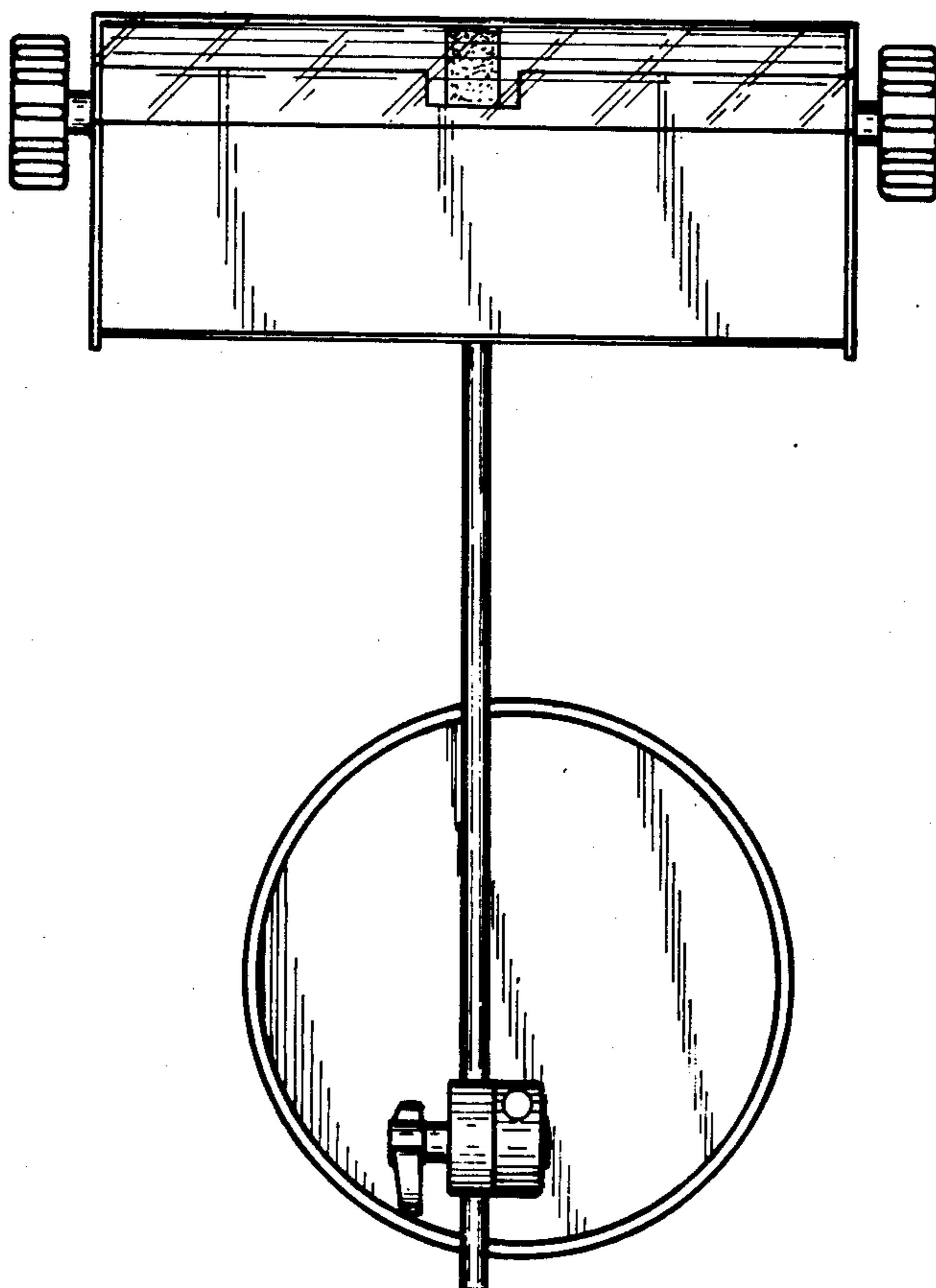


FIG. 6