

[54] SLIDE VIEWER

[75] Inventor: Basilio Alferow, Long Island City, N.Y.

[73] Assignee: Spiratone, Inc., Flushing, N.Y.

[**] Term: 14 Years

[21] Appl. No.: 809,136

[22] Filed: Jun. 22, 1977

[51] Int. Cl. D16-02

[52] U.S. Cl. D16/14

[58] Field of Search D16/11, 14, 15, 26; 40/361, 366, 367; 353/22-27, 74, 79, 119

[56] References Cited

U.S. PATENT DOCUMENTS

- D. 224,166 7/1972 Simpson D16/14
- D. 240,765 7/1976 LeFeure et al. D16/14 X
- 3,811,212 5/1974 Wright 40/367

FOREIGN PATENT DOCUMENTS

1176062 4/1959 France 40/366

Primary Examiner—Wallace R. Burke
Assistant Examiner—Catherine Kemper
Attorney, Agent, or Firm—Leonard J. Robbins

[57] CLAIM

The ornamental design for a slide viewer, as shown and described.

DESCRIPTION

FIG. 1 is a front prospective view of a slide viewer showing my new design;
FIG. 2 is a front elevational view thereof;
FIG. 3 is a left side elevational view thereof;
FIG. 4 is a right side elevational view thereof;
FIG. 5 is a rear elevational view thereof;
FIG. 6 is a top plan view thereof;
FIG. 7 is a bottom plan view thereof; and
FIG. 8 is a vertical sectional view thereof taken along the plane defined by 8—8 in FIG. 5.
The conventional cord has been shown fragmentarily in FIGS. 1, 2, 4, 5, 6 and 7 for convenience of illustration.

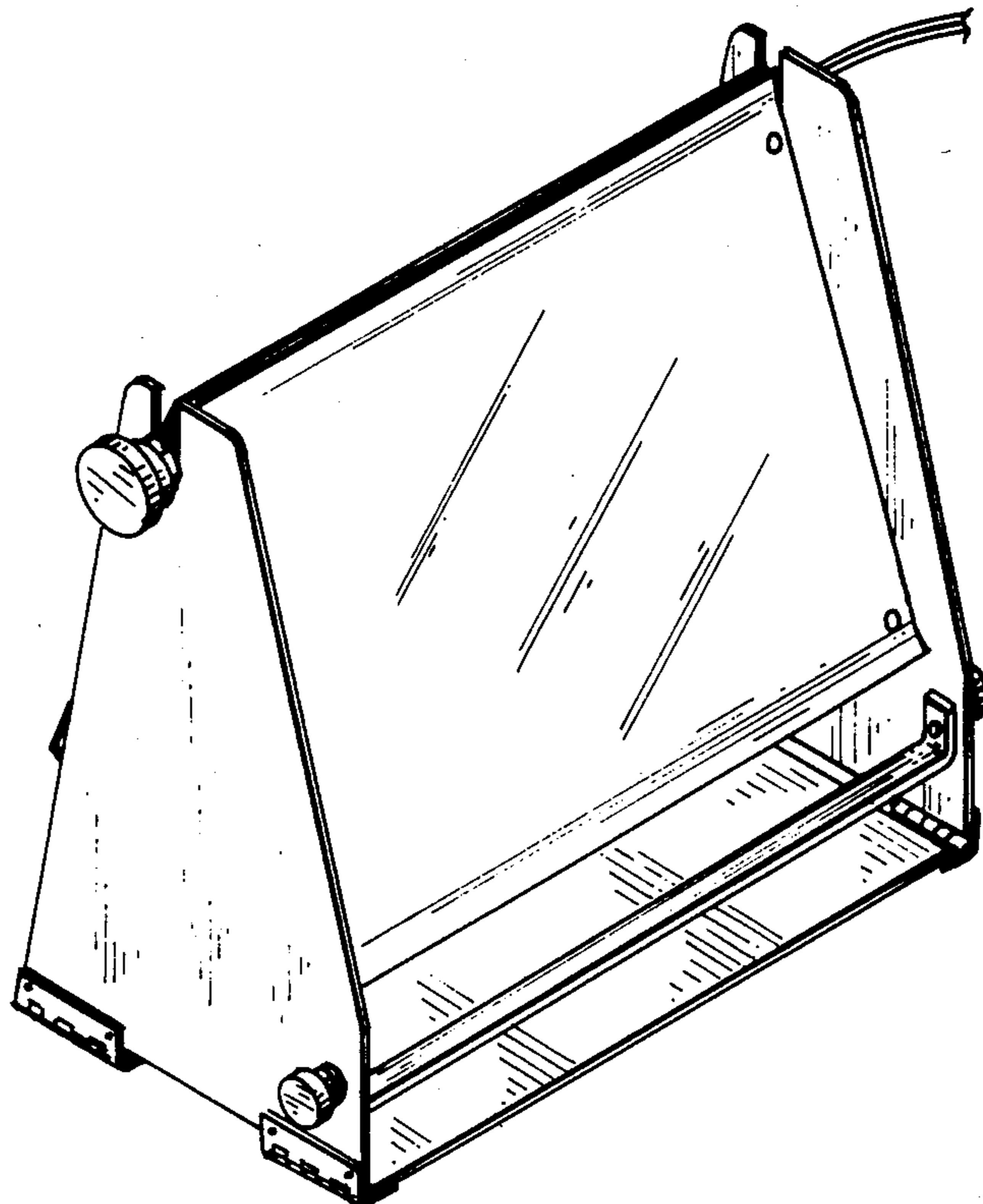


FIG. 1

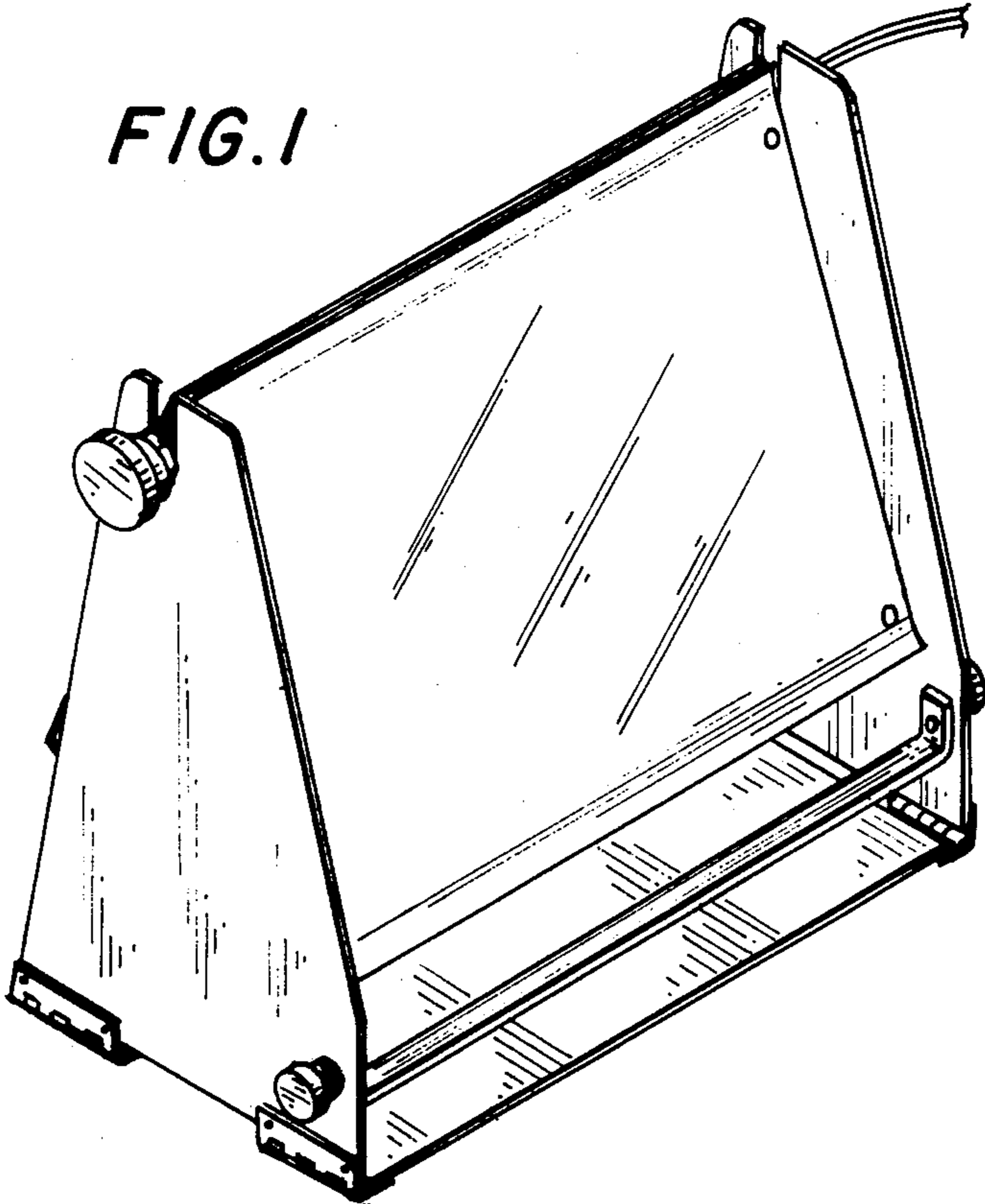


FIG. 3

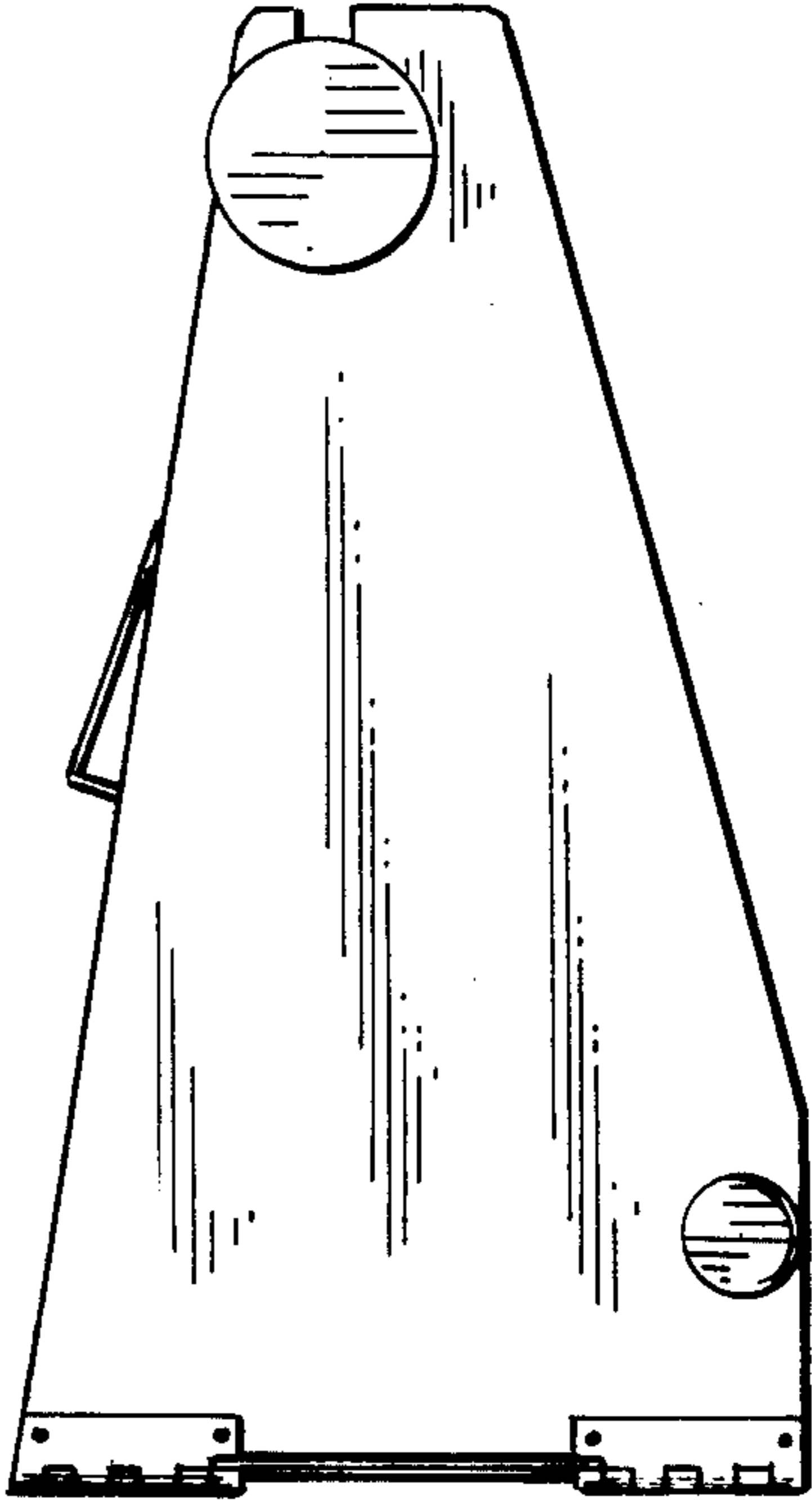


FIG. 2

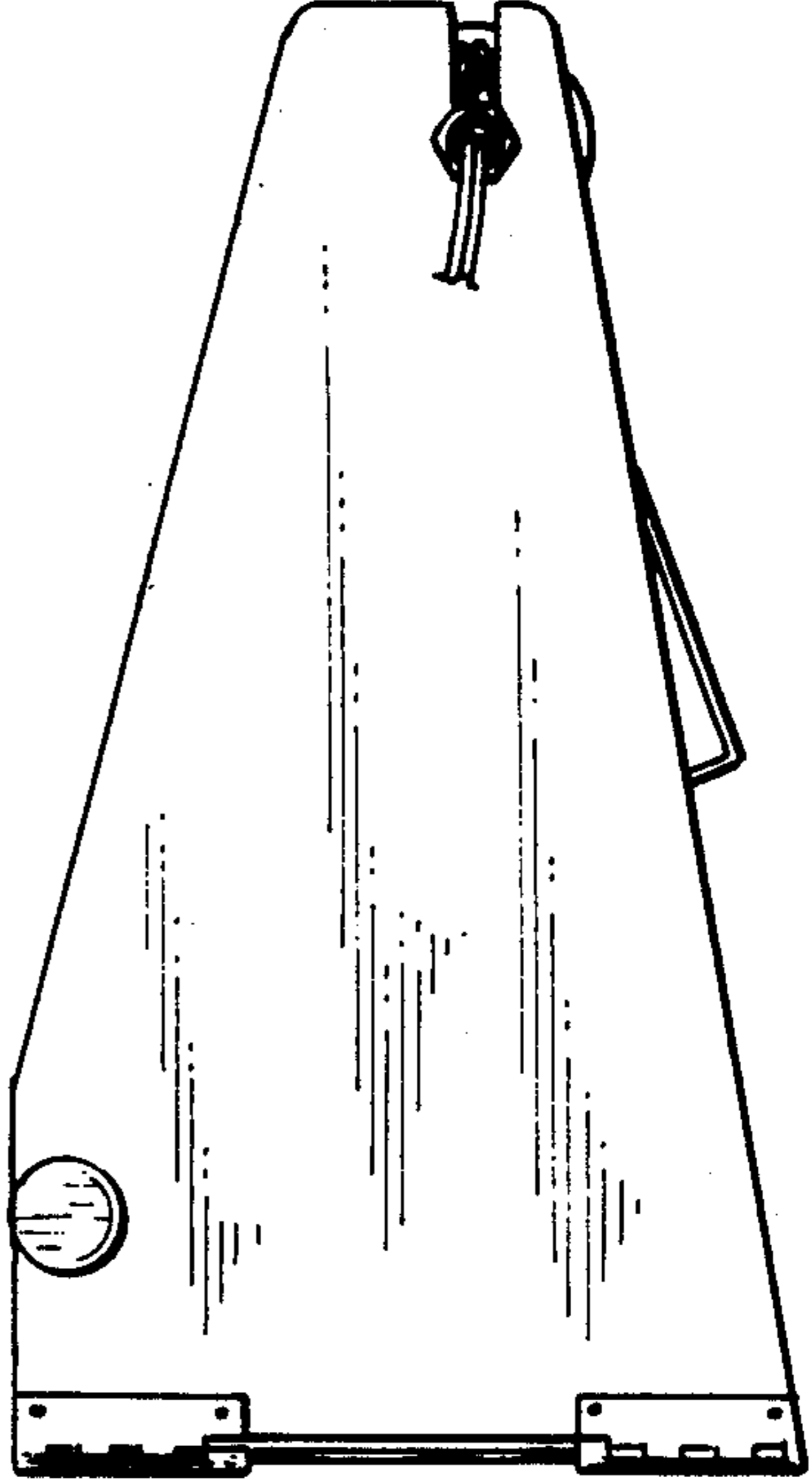
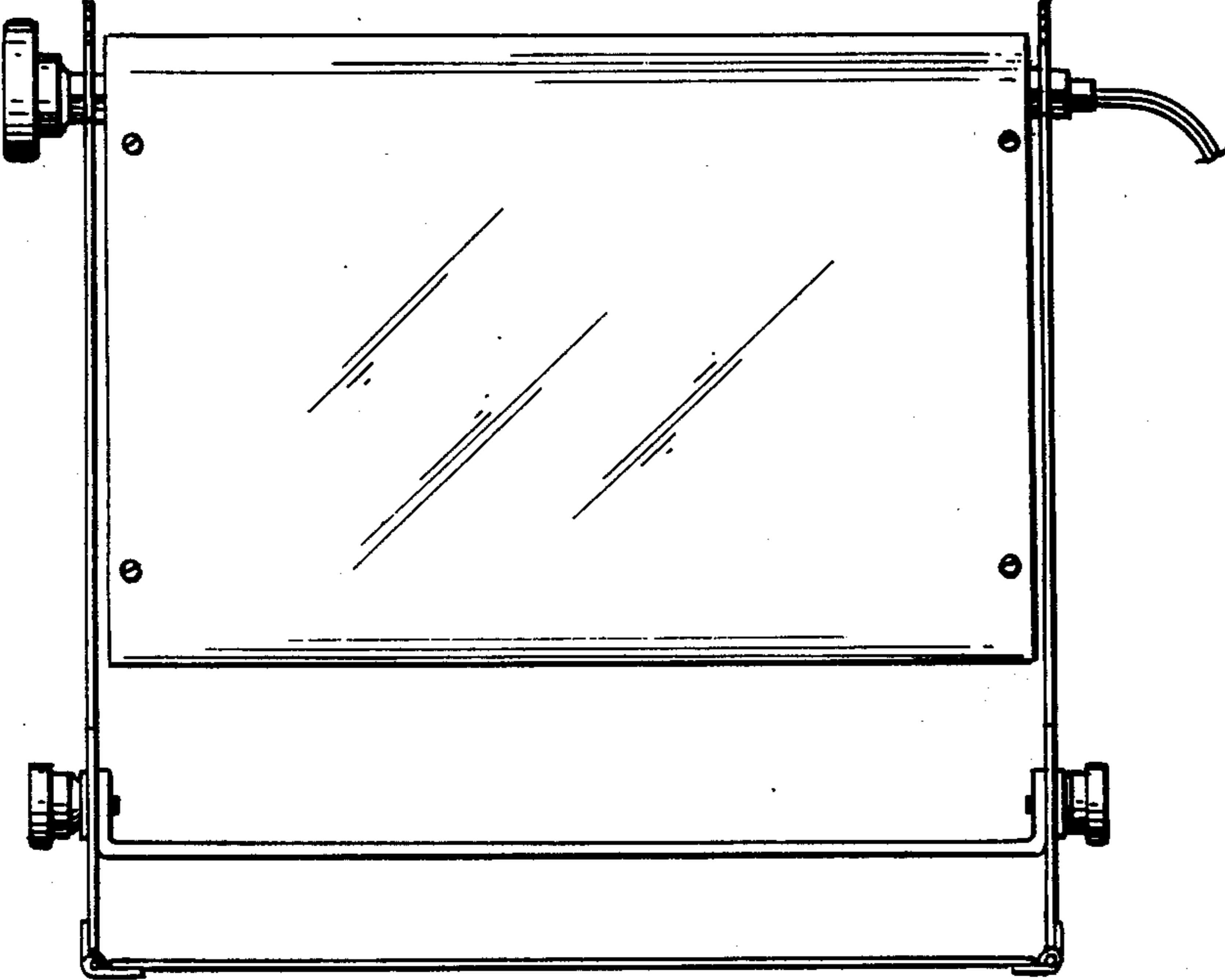


FIG. 4

FIG. 5

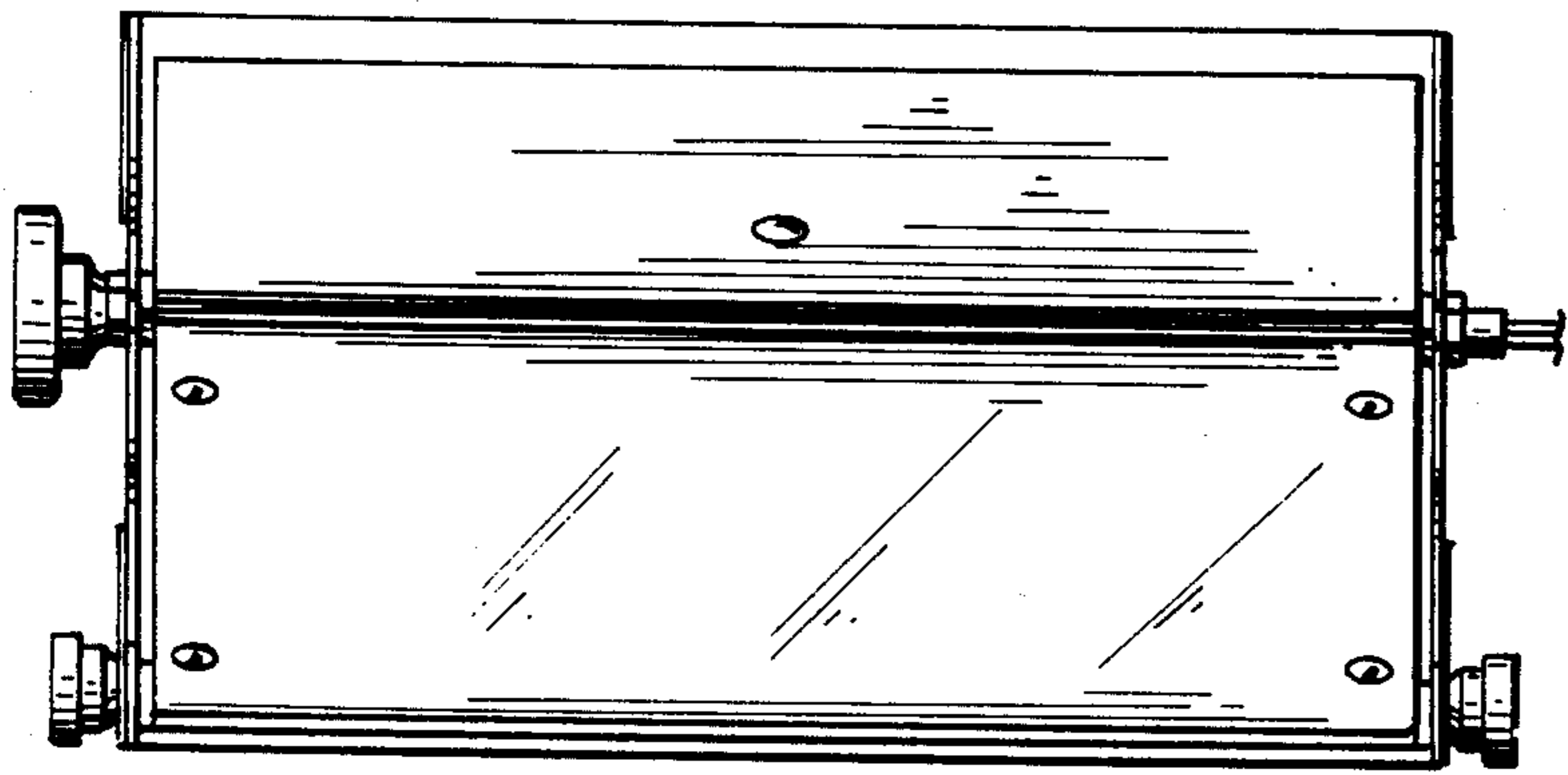
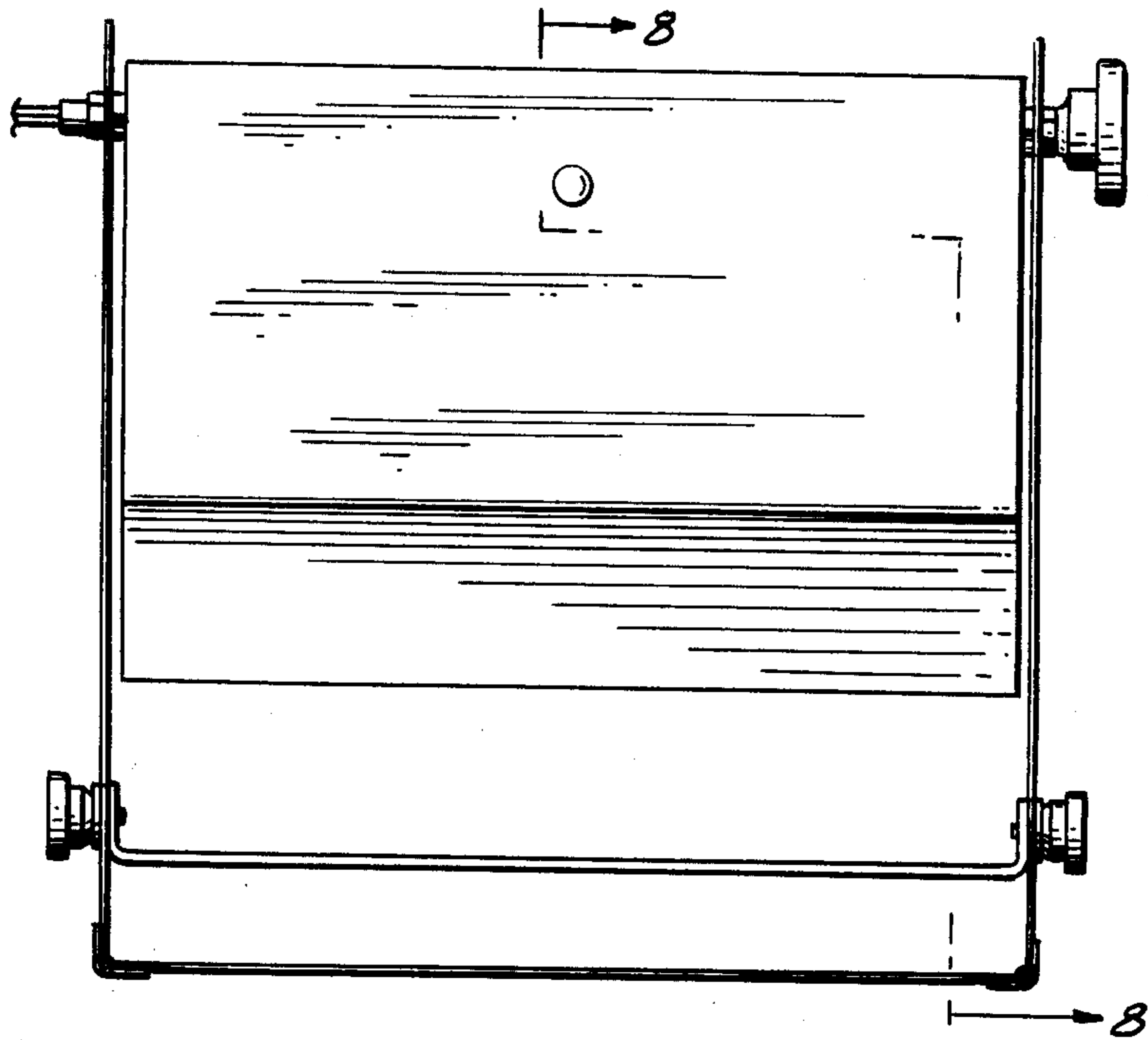


FIG. 6

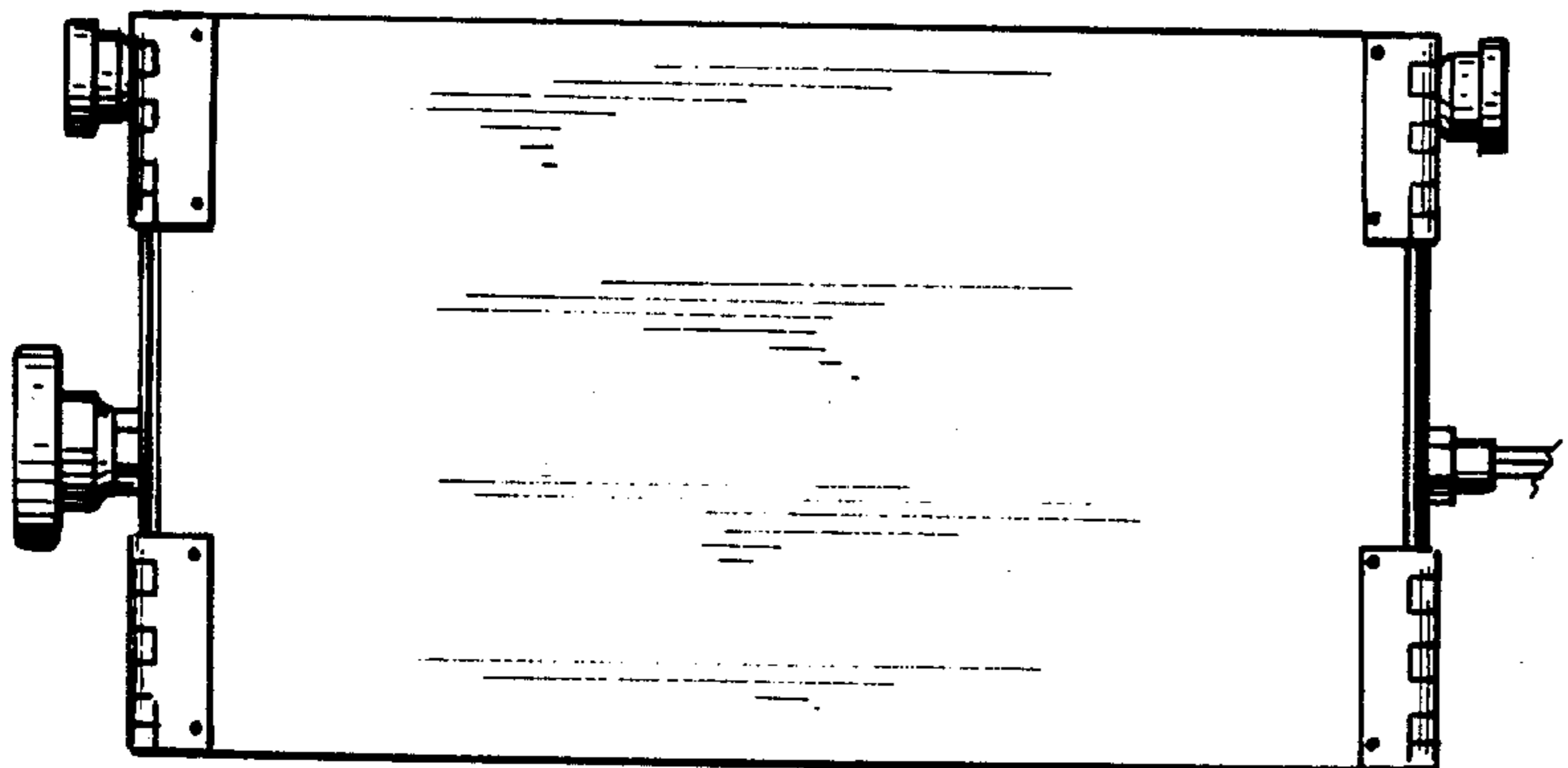


FIG. 7

FIG. 8

