

[54] LIQUID DISPENSING VACUUM CLEANER

[76] Inventor: Jelle G. Nauta, R.R. #4, Stouffville, Ontario, Canada

[**] Term: 14 Years

[21] Appl. No.: 774,506

[22] Filed: Mar. 4, 1977

[51] Int. Cl. D15-05

[52] U.S. Cl. D15/52

[58] Field of Search D15/48, 52, 53, 54, D15/55, 61, 62, 63, 64; 15/320, 323, 324, 325, 326, 327, 412

[56] References Cited

U.S. PATENT DOCUMENTS

D. 242,210 11/1976 Parise et al. D15/52

3,896,521 7/1975 Parise 15/353 X
3,911,524 10/1975 Parise 15/353
4,019,218 4/1977 Cyphert 15/353 X

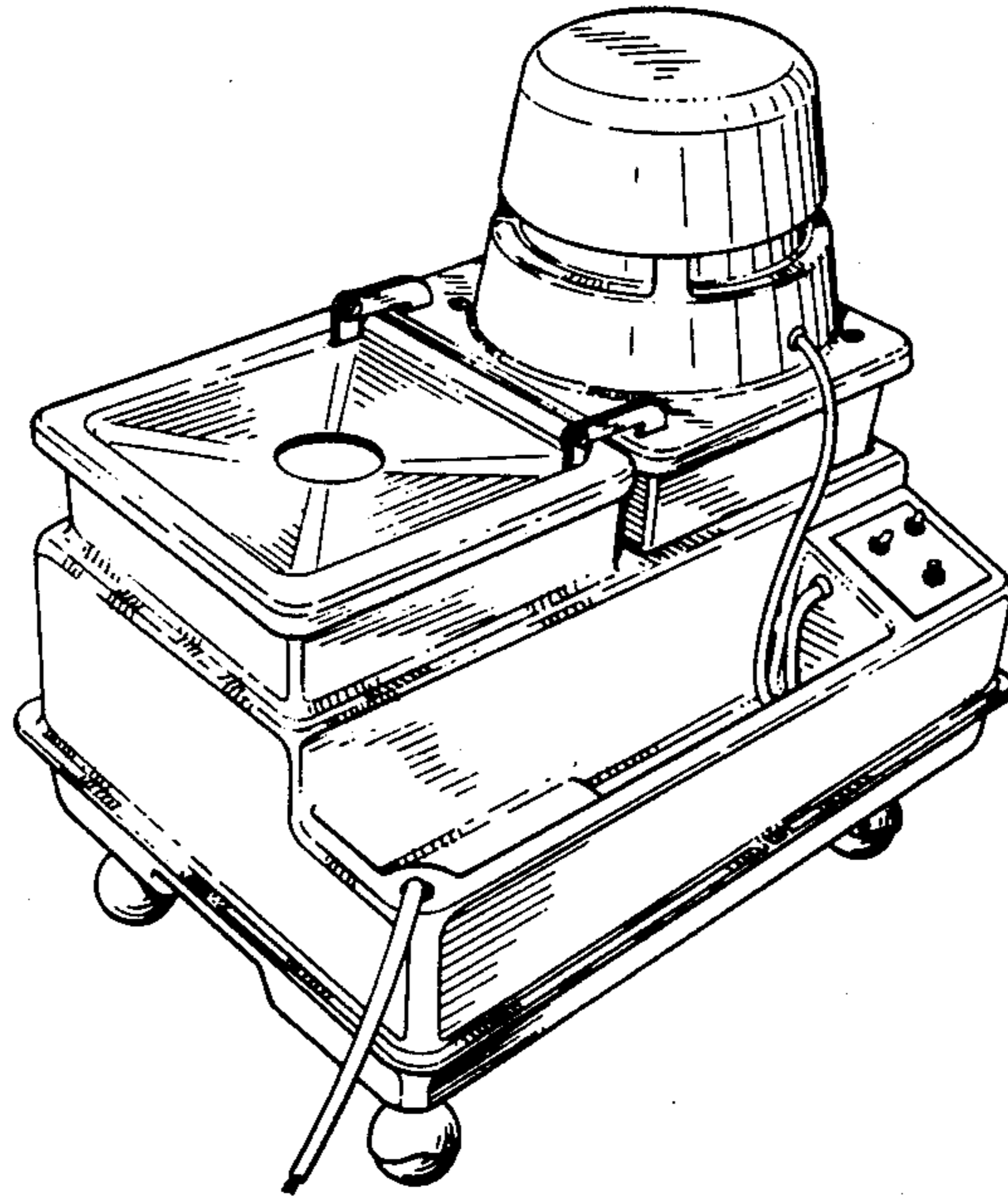
Primary Examiner—Wallace R. Burke
Assistant Examiner—Catherine Kemper
Attorney, Agent, or Firm—E. H. Oldham

[57] CLAIM

The ornamental design for a liquid dispensing vacuum cleaner, as shown and described.

DESCRIPTION

FIG. 1 is a top perspective view of a liquid dispensing vacuum cleaner, showing my new design; FIG. 2 is a rear perspective view thereof; FIG. 3 is a bottom perspective view thereof. The conventional hose and cord have been shown fragmentarily in FIGS. 1-3 for convenience of illustration.



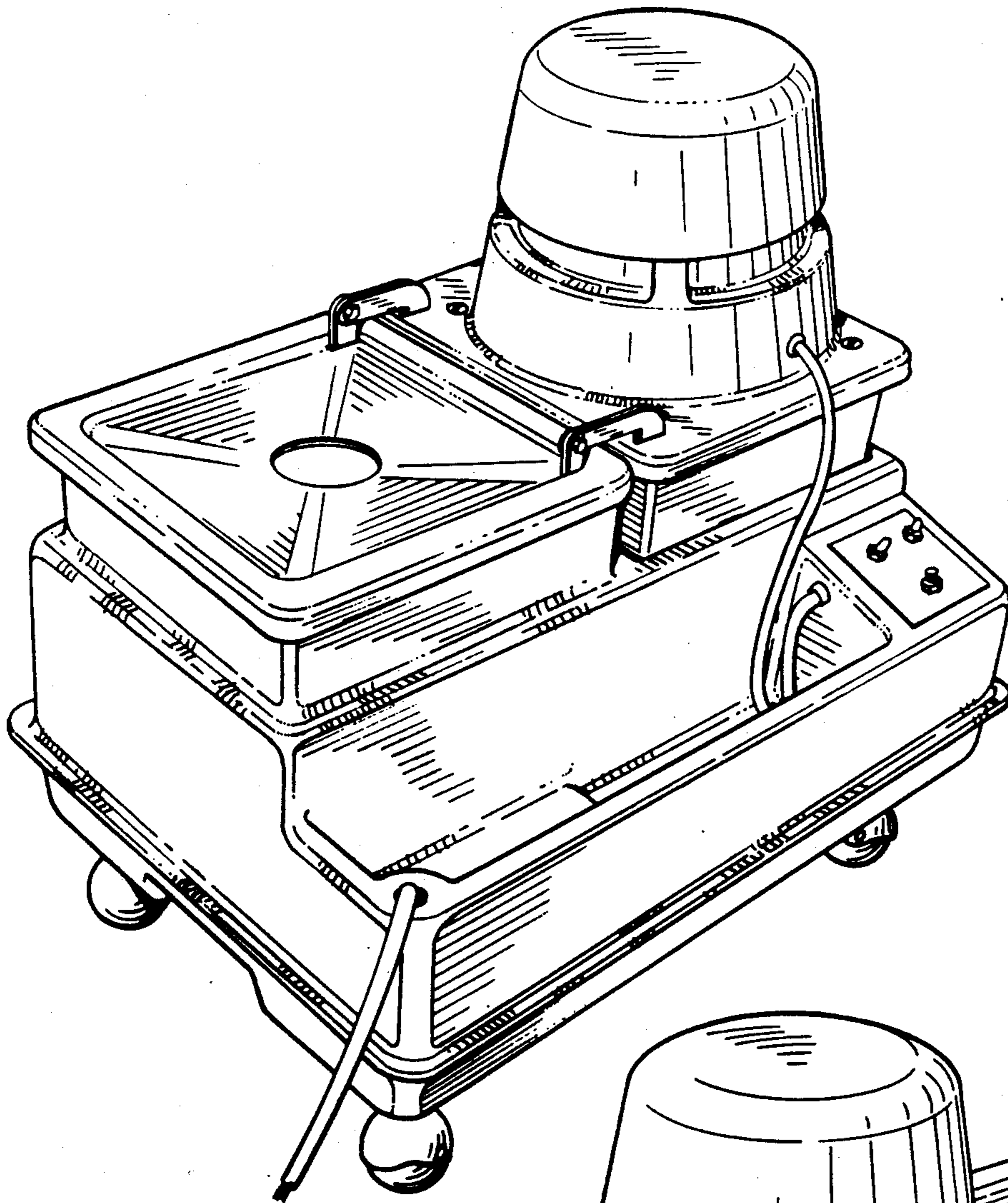


FIG. 1

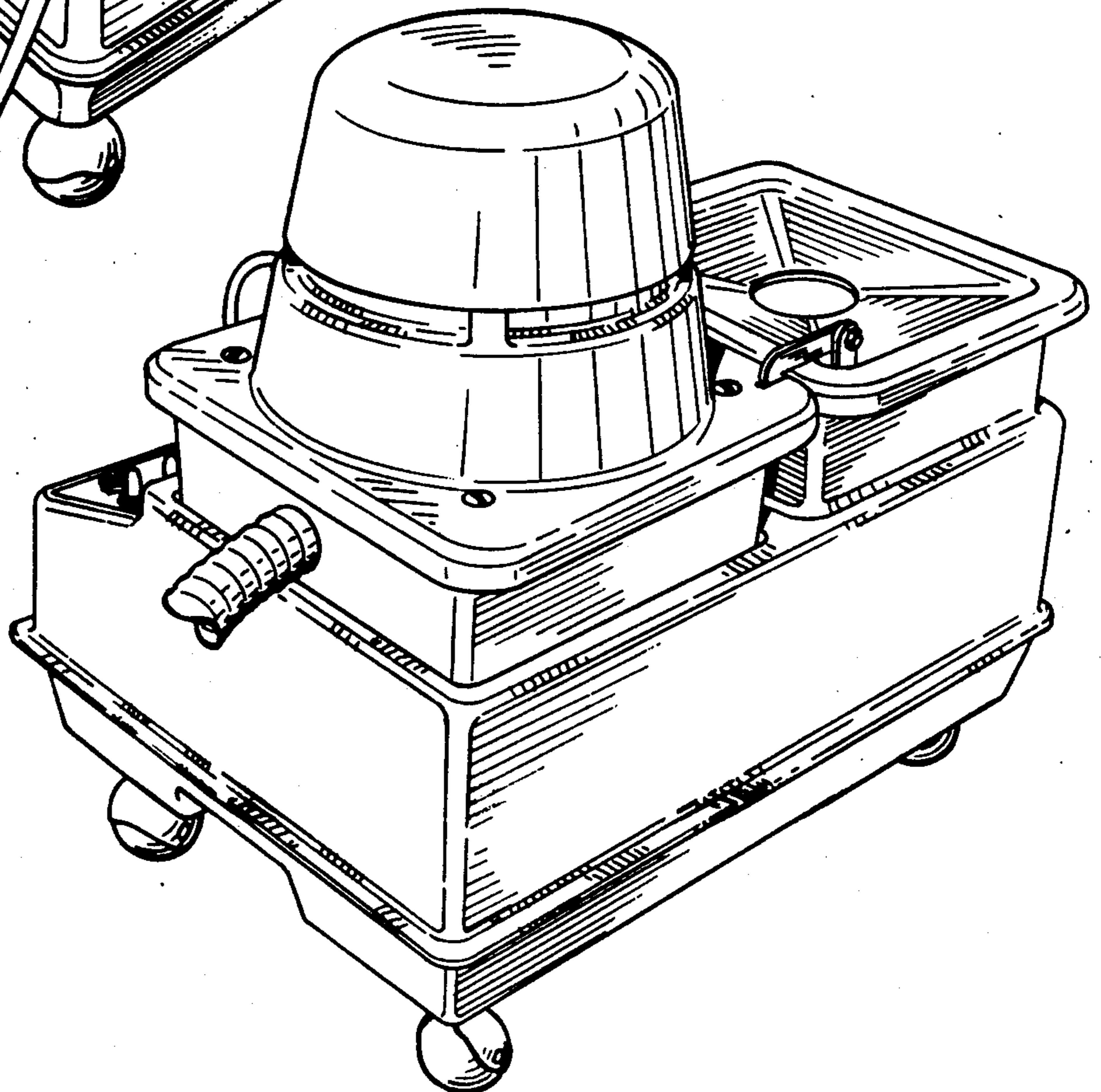


FIG. 2

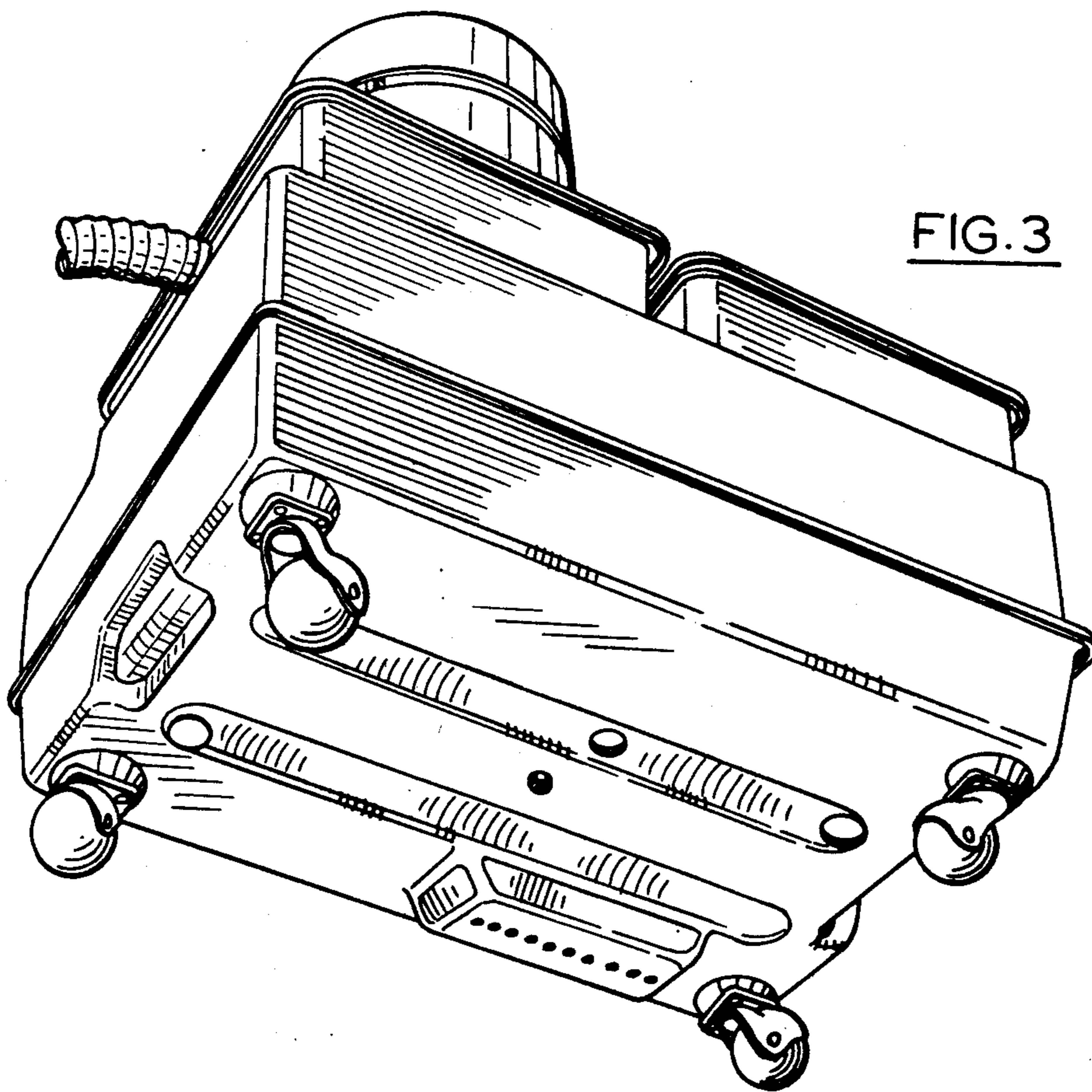


FIG. 3