

[54] COVER FOR TELEVISION RECEIVER REAR PICTURE CONTROLS OR THE LIKE

[76] Inventor: Ronald V. Abernathy, 118 Lowell's La., Rosedale, Ind. 47874

[\*\*] Term: 14 Years

[21] Appl. No.: 766,432

[22] Filed: Feb. 7, 1977

[51] Int. Cl. .... D14-03

[52] U.S. Cl. .... D14/84

[58] Field of Search ..... D14/1, 77, 79-84; D8/300, 315, 316, 313, 354, 400, 404, 499, 336; 174/66; 312/7 TV; 358/254; 292/DIG. 44; D6/85

[56] References Cited

U.S. PATENT DOCUMENTS

D. 239,798	5/1976	Vrignaud	.....	D6/85
2,870,300	1/1959	Morse	.....	174/66 X
4,048,822	9/1977	Luling	.....	292/DIG. 44

Primary Examiner—Joel Stearman  
Assistant Examiner—J. Corrigan

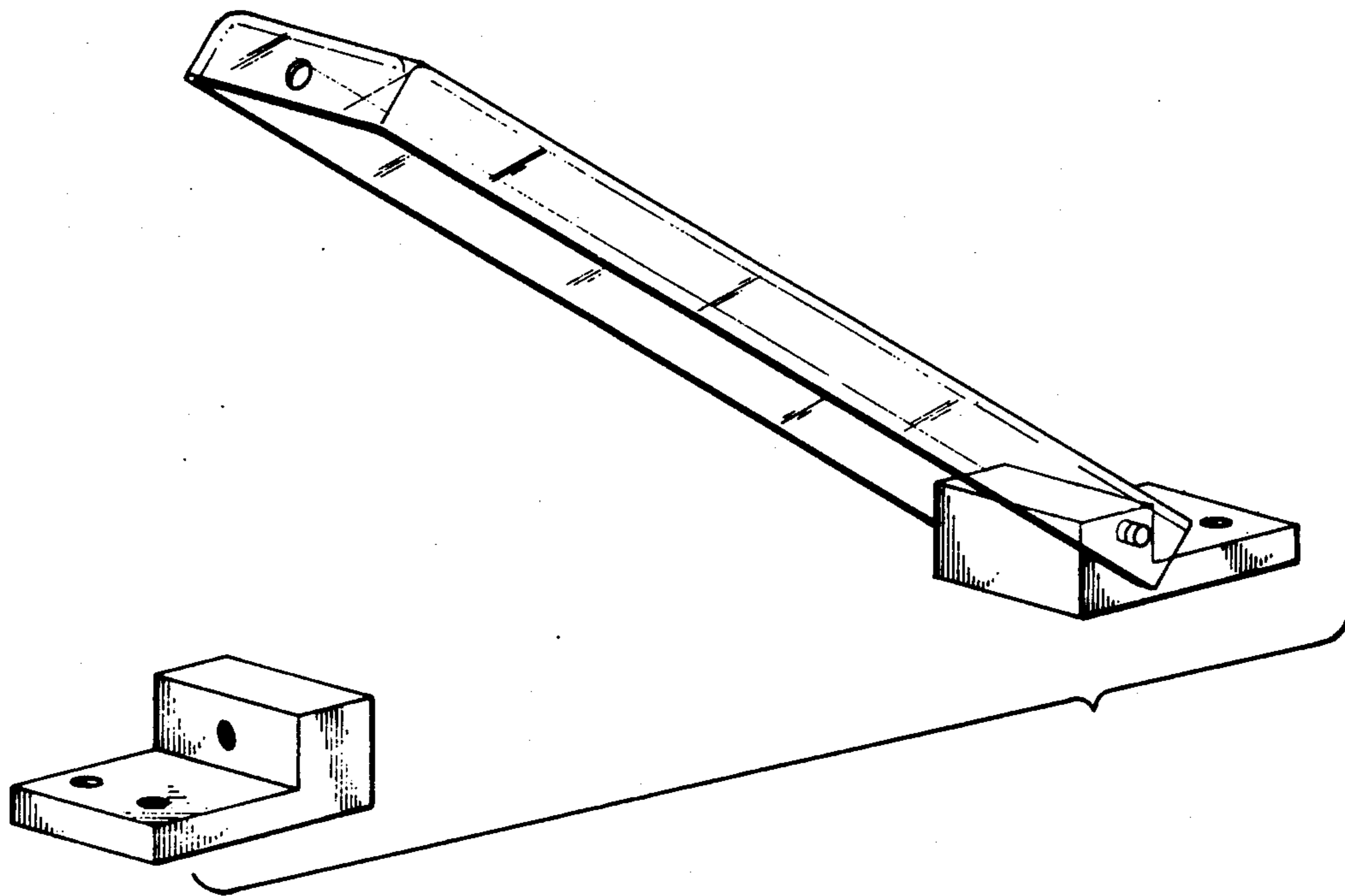
Attorney, Agent, or Firm—Harold R. Woodard

[57] CLAIM

The ornamental design for a cover fo television receiver rear picture controls or the like, as shown and de-scribed.

DESCRIPTION

FIG. 1 is a front, top and left side perspective view of a cover four television receiver rear picture controls or the like showing my design, the broken line showing of a television receiver being for purposes of illustration only and structure which would be seen through the transparent surfaces omitted for convenience of illustration;  
FIG. 2 is a top plan view;  
FIG. 3 is a front elevational view;  
FIG. 4 is a sectional view taken along line 4—4 of FIG. 3;  
FIG. 5 is a rear elevational view;  
FIG. 6 is a left side elevational view;  
FIG. 7 is a right side elevational view; and  
FIG. 8 is a front, top and left side perspective view showing the cover in raised position and with the screw removed.



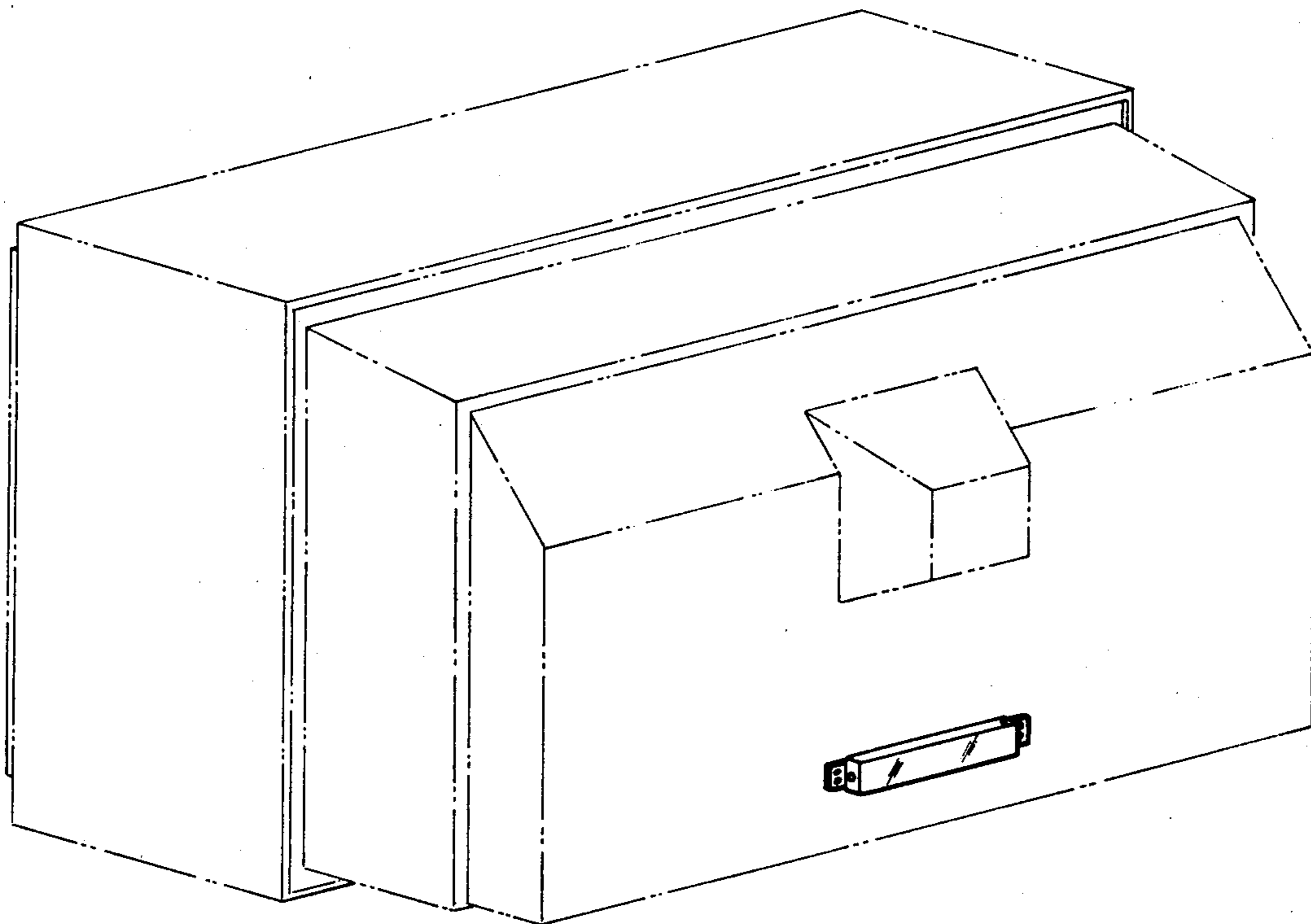


Fig. 1

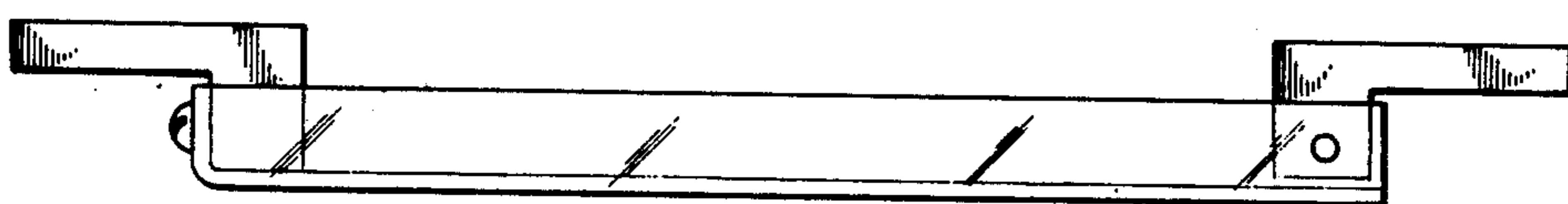


Fig. 2

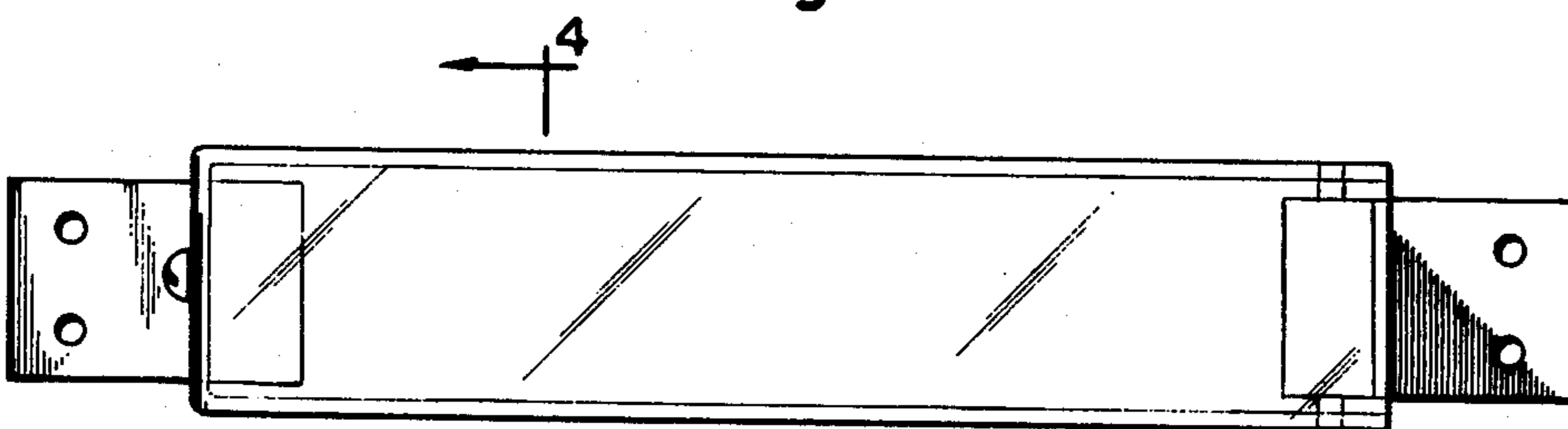
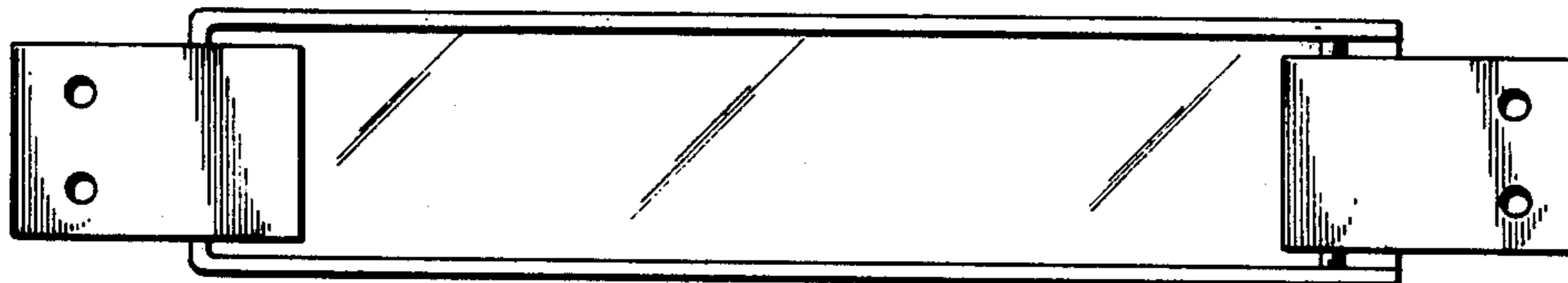


Fig. 3



Fig. 4



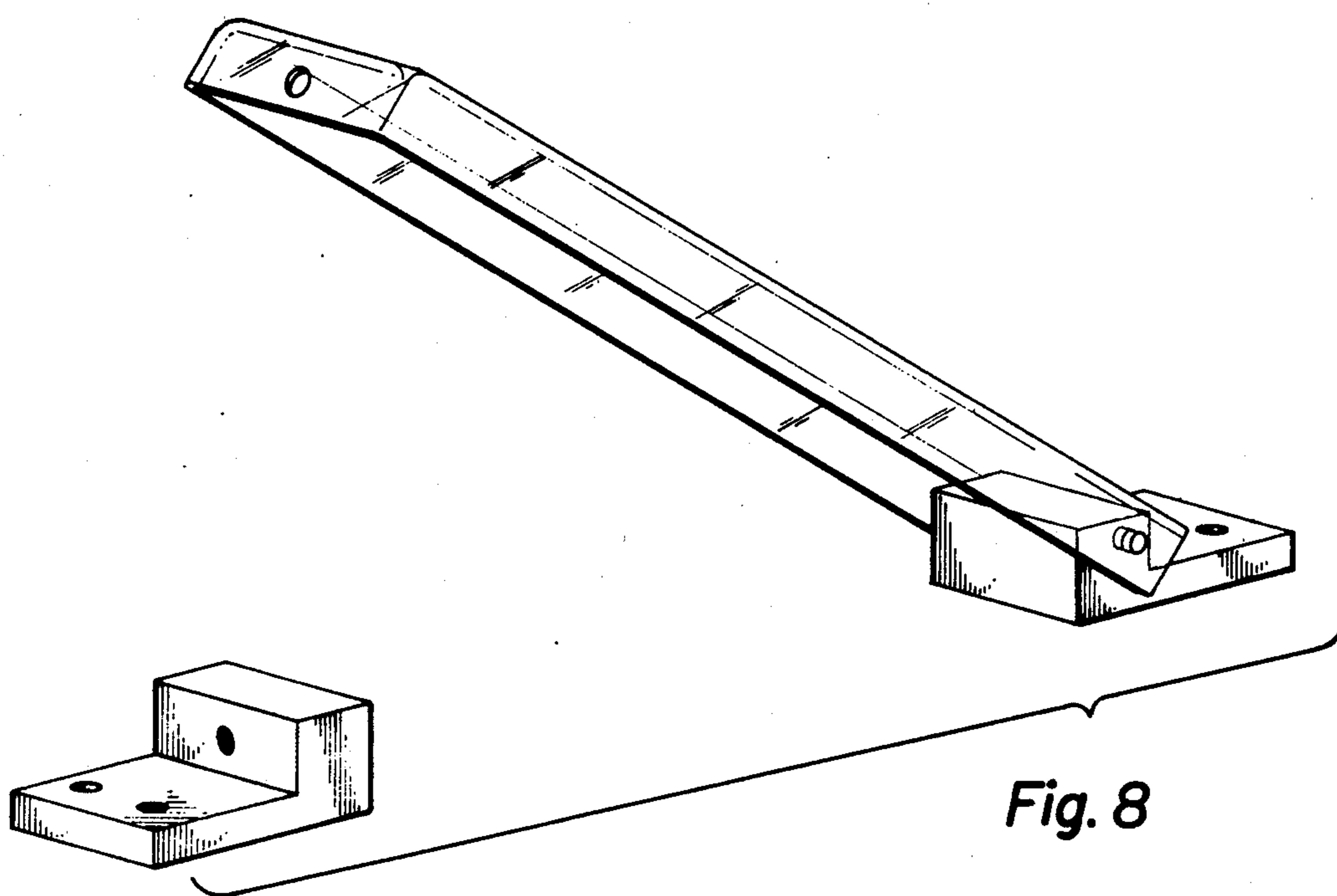
*Fig. 5*



*Fig. 6*



*Fig. 7*



*Fig. 8*