

[54] **COMBINED MICROPHONE AND LOUDSPEAKER FOR A COMMUNICATION RADIO INSTALLATION**

[75] Inventor: **Jan E. Örn**, Stockholm, Sweden

[73] Assignee: **Telefonaktiebolaget L M Ericsson**, Stockholm, Sweden

[\*\*] Term: **3 Years**

[21] Appl. No.: **789,796**

[22] Filed: **Apr. 22, 1977**

[30] **Foreign Application Priority Data**

[SE] Sweden ..... 762169

[51] Int. Cl. .... **D14-01**

[52] U.S. Cl. .... **D14/12**

[58] Field of Search ..... 179/90, 122, 115.5 R, 179/121 R, 121 D, 11 E, 146 R, 122; 320/2; 325/492, 111, 119, 21.25; D14/69, 12, 13

[56] **References Cited**

**U.S. PATENT DOCUMENTS**

- D. 238,684 2/1976 Walz ..... D14/12
- D. 245,692 9/1977 Imazeki ..... D14/12

- D. 246,780 12/1977 Renken ..... D14/12
- 3,976,840 8/1976 Cleveland et al. .... 179/179

**OTHER PUBLICATIONS**

Radio Shack Electronics Cat. No. 276, p. 130, C. B. Microphone, top left of page.

*Primary Examiner*—Bernard Ansher  
*Attorney, Agent, or Firm*—Hane, Roberts, Spicencs & Cohen

[57] **CLAIM**

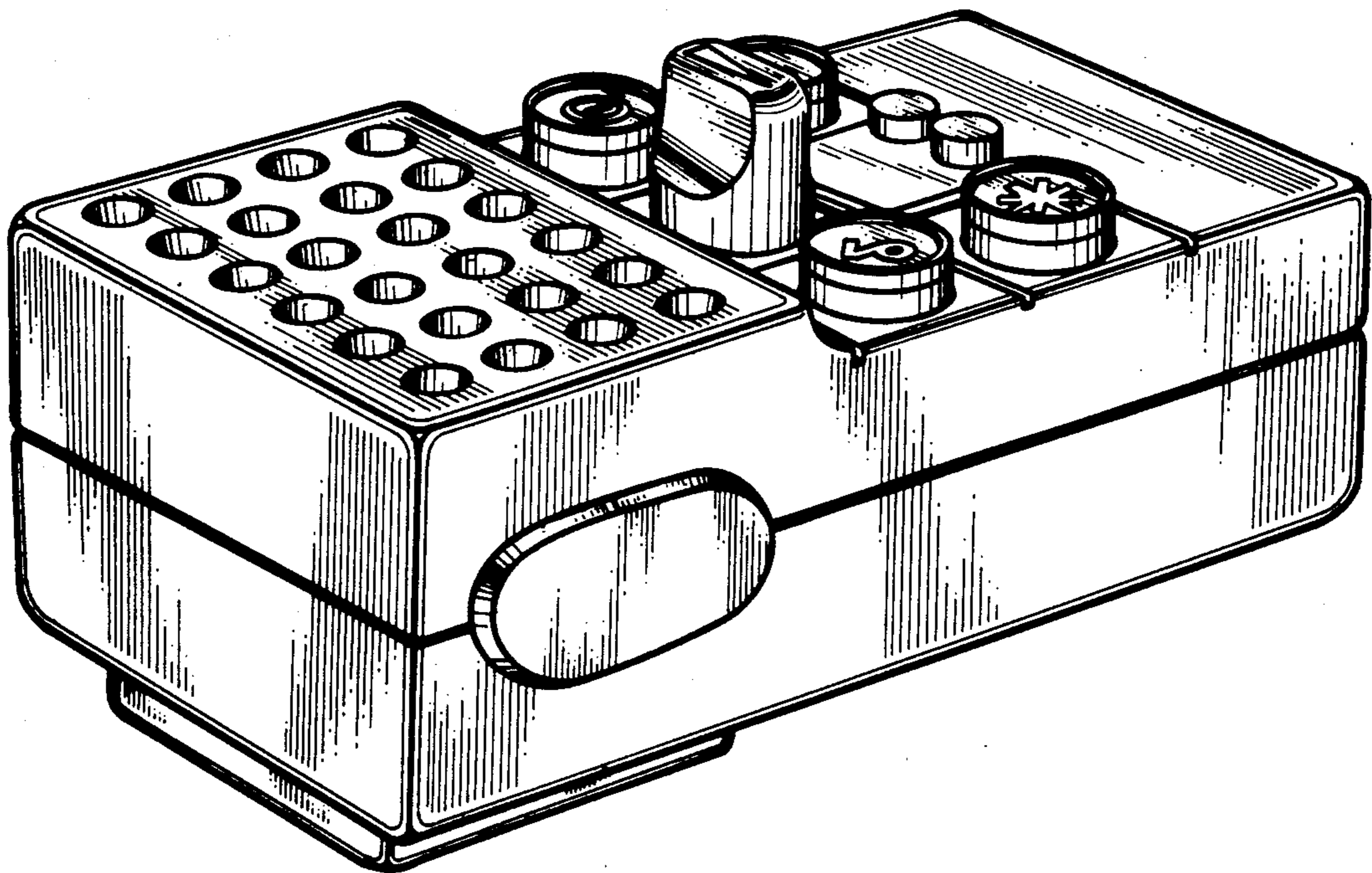
The ornamental design for a combined microphone and loudspeaker for a communication radio installation, as shown.

**DESCRIPTION**

FIG. 1 is a front view of a combined microphone and loudspeaker for a communication radio installation showing my design;

FIG. 2 is a perspective view showing the front, the top and one side of the combined microphone and loudspeaker for a communication radio installation;

FIG. 3 is a perspective view showing the rear, the bottom and the other side of the combined microphone and loudspeaker for a communication radio installation.



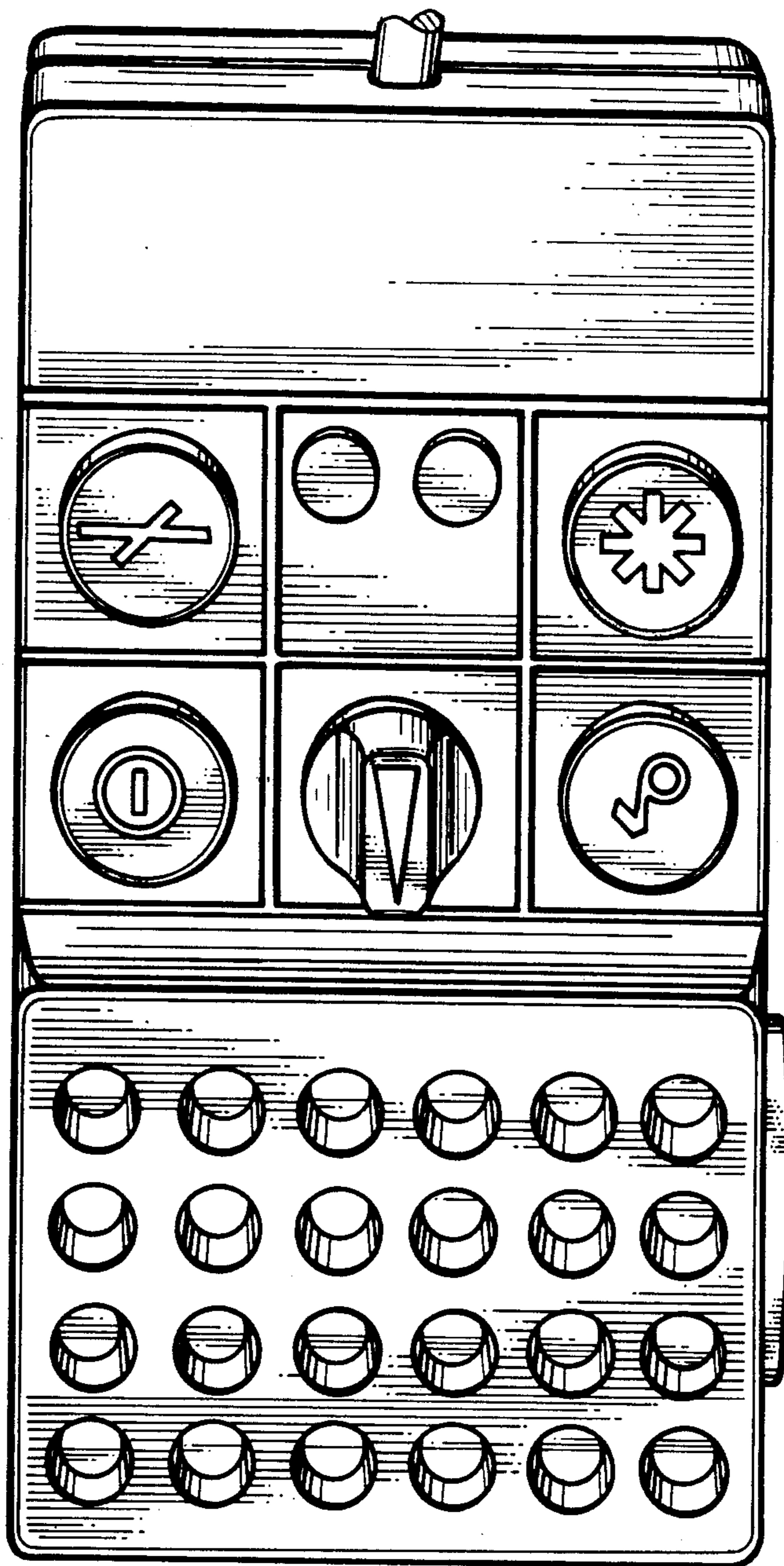


FIG. 1

FIG. 2

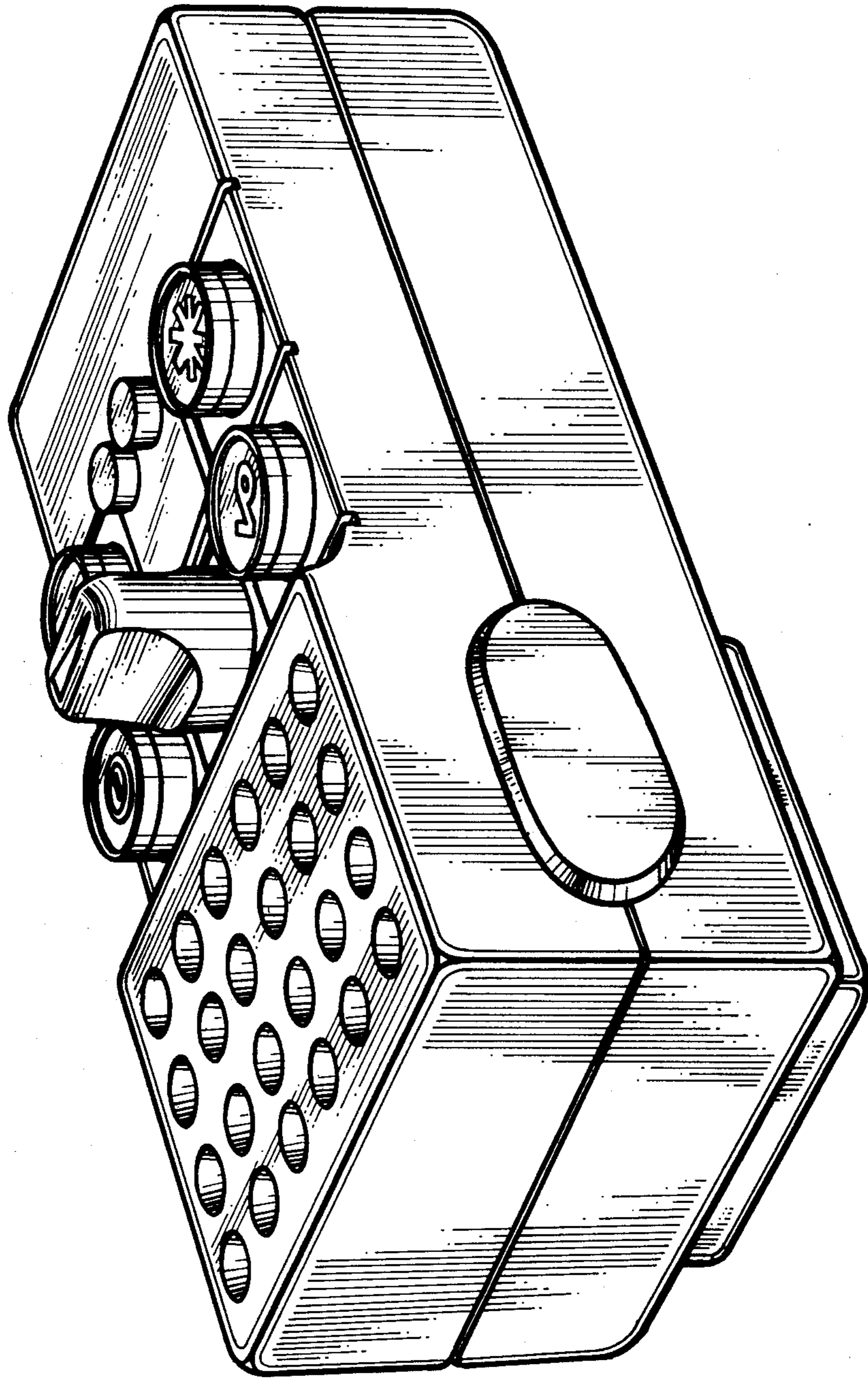


FIG. 3

