

[54] DIGITAL WATCH

[76] Inventor: Pascal Morabito, 12, Quai d'Orleans, Paris, France, 75004

[\*\*] Term: 14 Years

[21] Appl. No.: 762,323

[22] Filed: Jan. 25, 1977

[51] Int. Cl. .... D10-02

[52] U.S. Cl. .... D10/38

[58] Field of Search ..... D10/15, 30-39; 58/50 R, 50 A, 53-56, 88 R, 88 G, 23 R

[56] References Cited

U.S. PATENT DOCUMENTS

D. 161,485	1/1951	Megar .....	D10/39
D. 174,080	2/1955	Hall .....	D10/26
D. 205,147	6/1966	Trudean .....	D10/38

OTHER PUBLICATIONS

European Jeweler, 6/76, p. 27, dual watch at center.  
European Jeweler, 7/72, p. 83, watch at top-left.

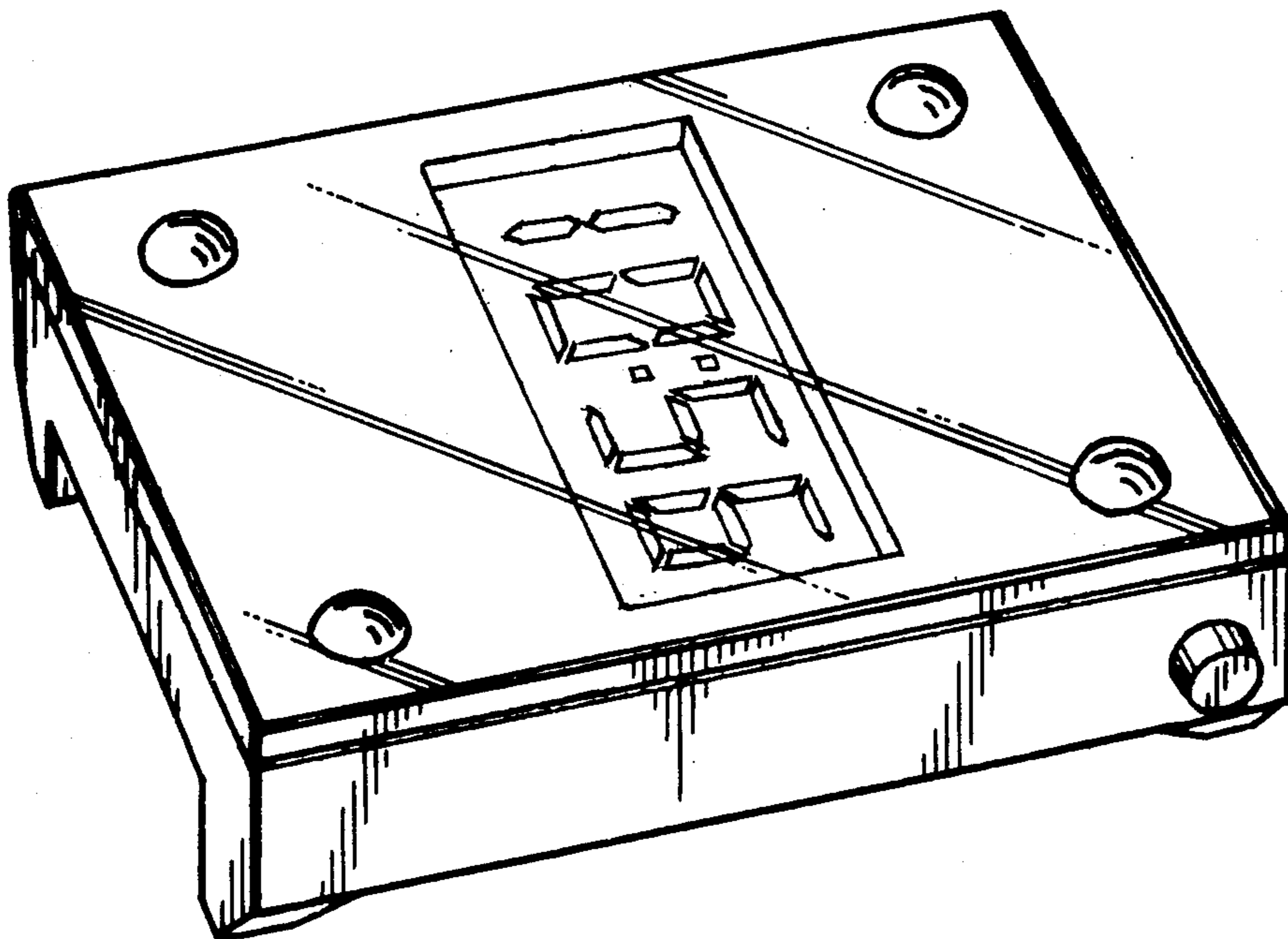
Primary Examiner—Nelson C. Holtje  
Attorney, Agent, or Firm—George J. Neilan

[57] CLAIM

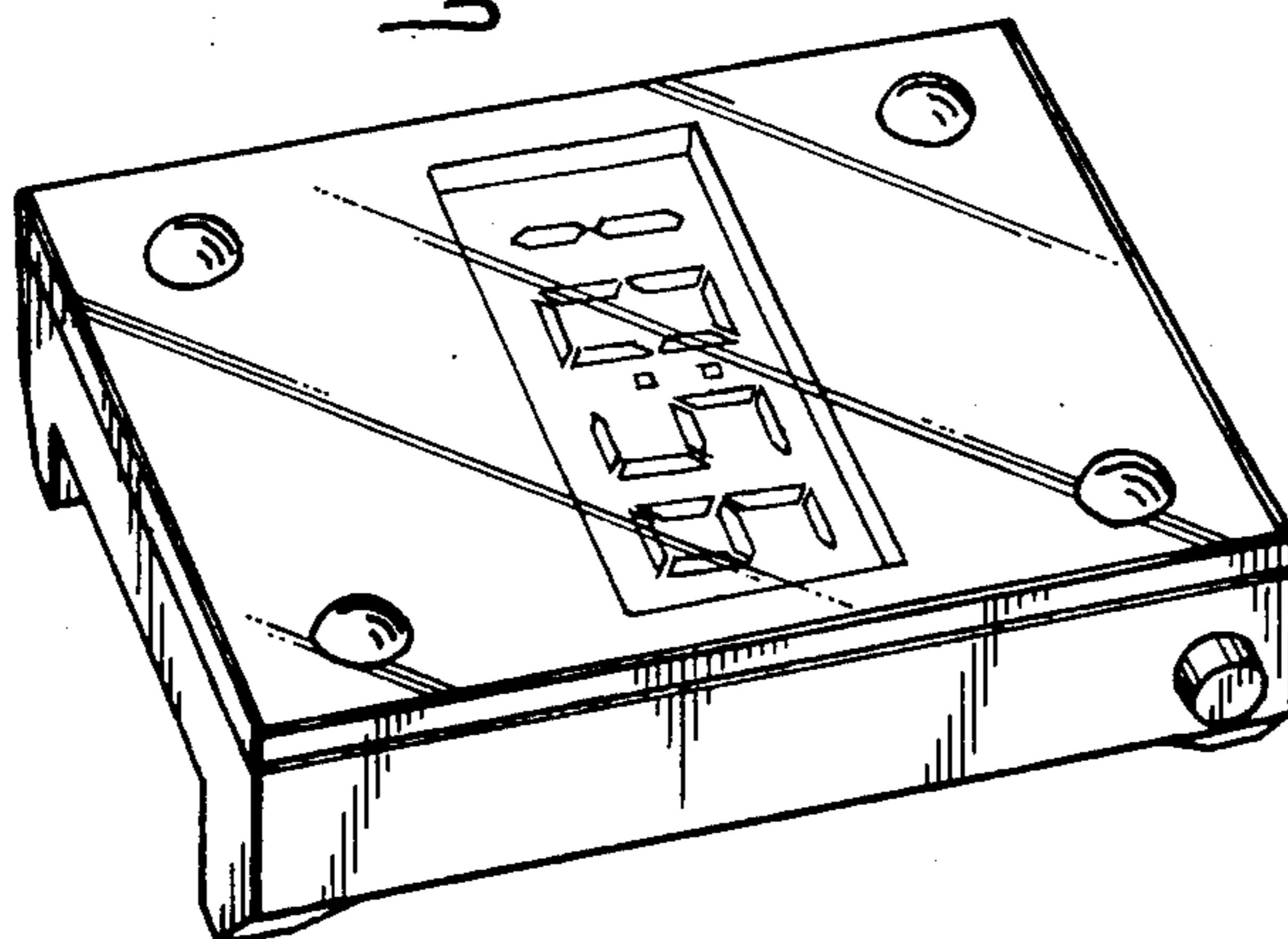
The ornamental design for a digital watch, substantially as shown and described.

DESCRIPTION

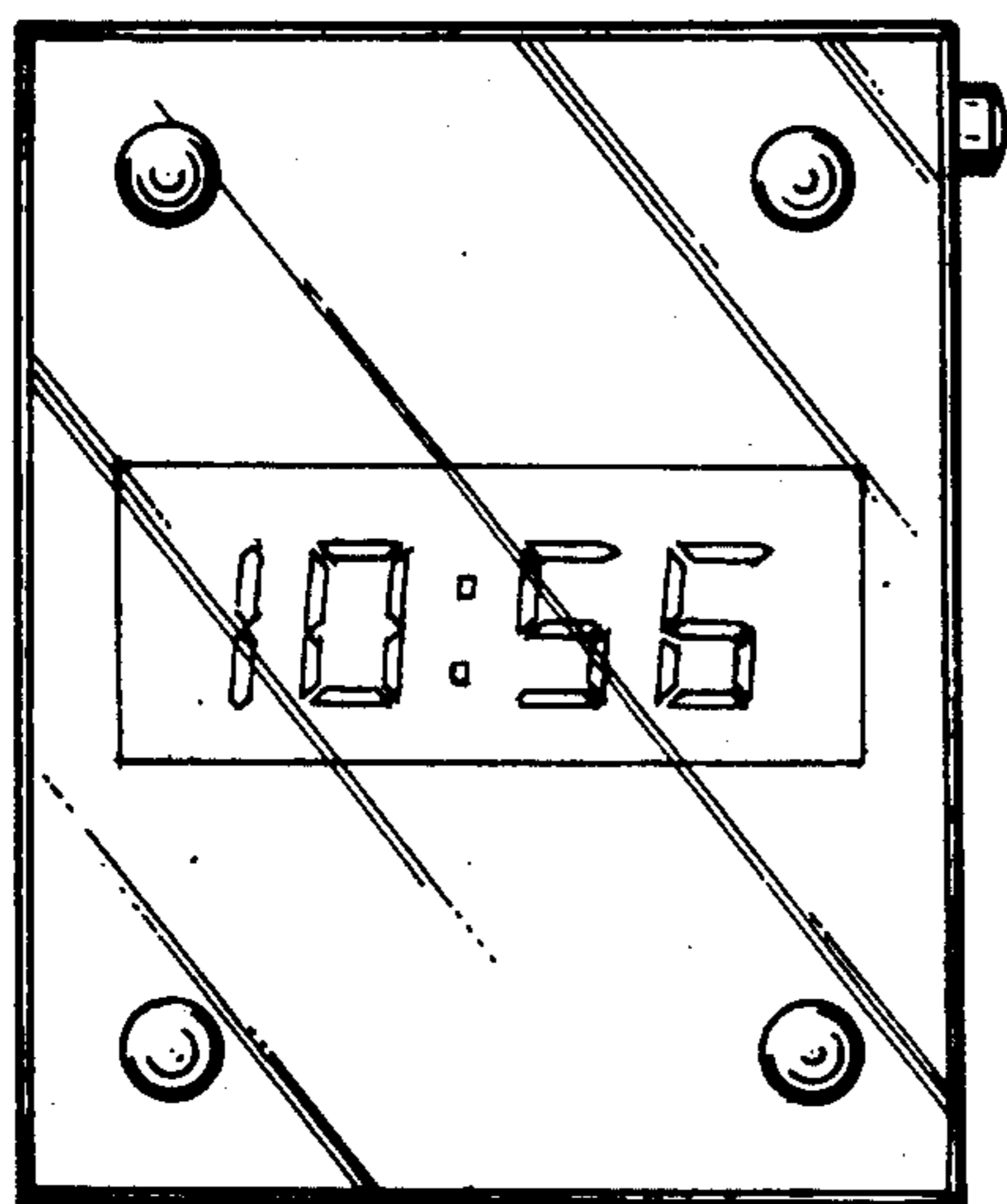
FIG. 1 is a top perspective view of a digital watch showing my new design;  
FIG. 2 is a top plan view thereof;  
FIG. 3 is a bottom plan view thereof;  
FIG. 4 is a right side elevational view thereof, the left side being a mirror image thereto with the bottom omitted;  
FIG. 5 is an end elevational view thereof, the opposite end being a mirror image thereto.



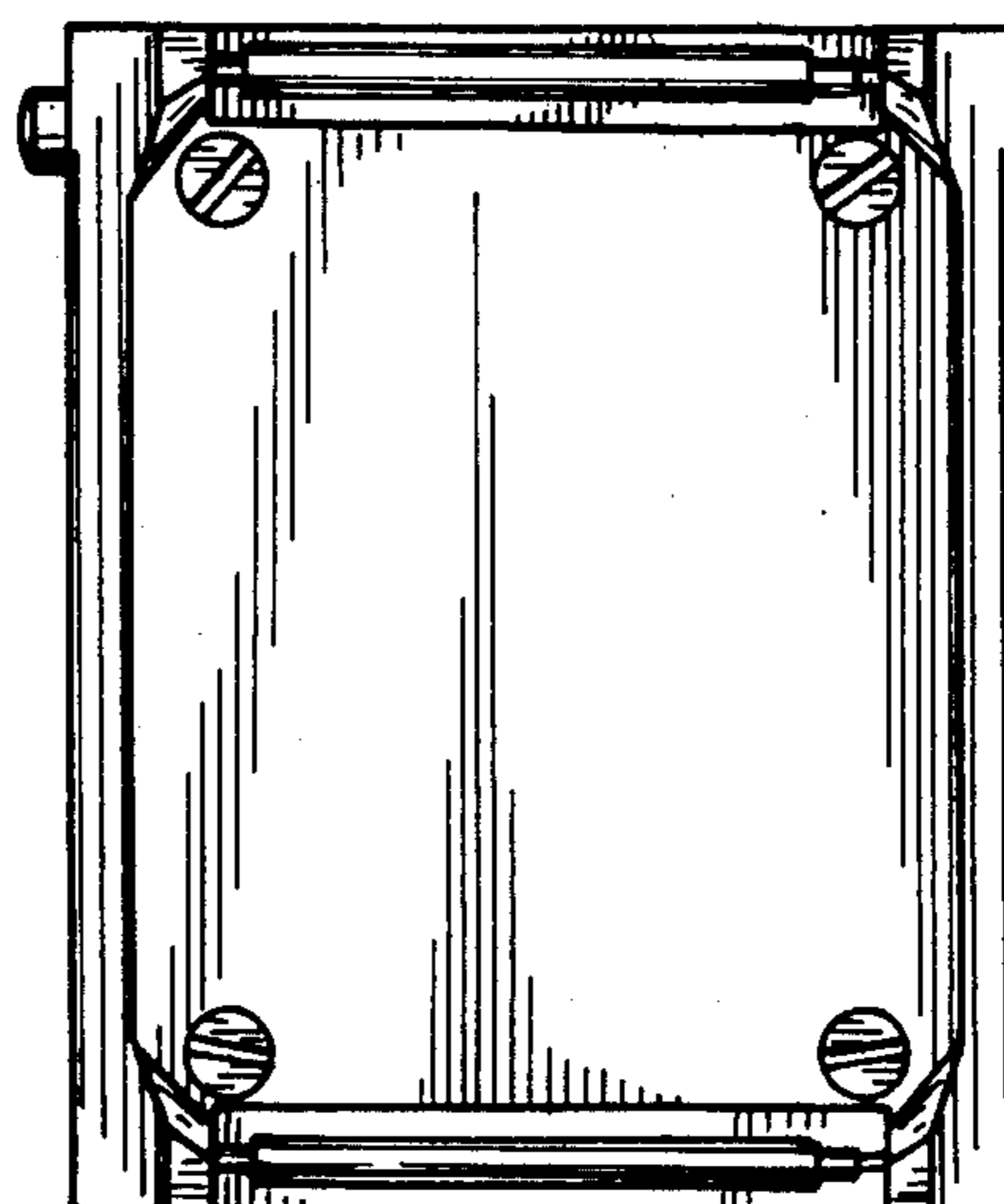
*Fig.1*



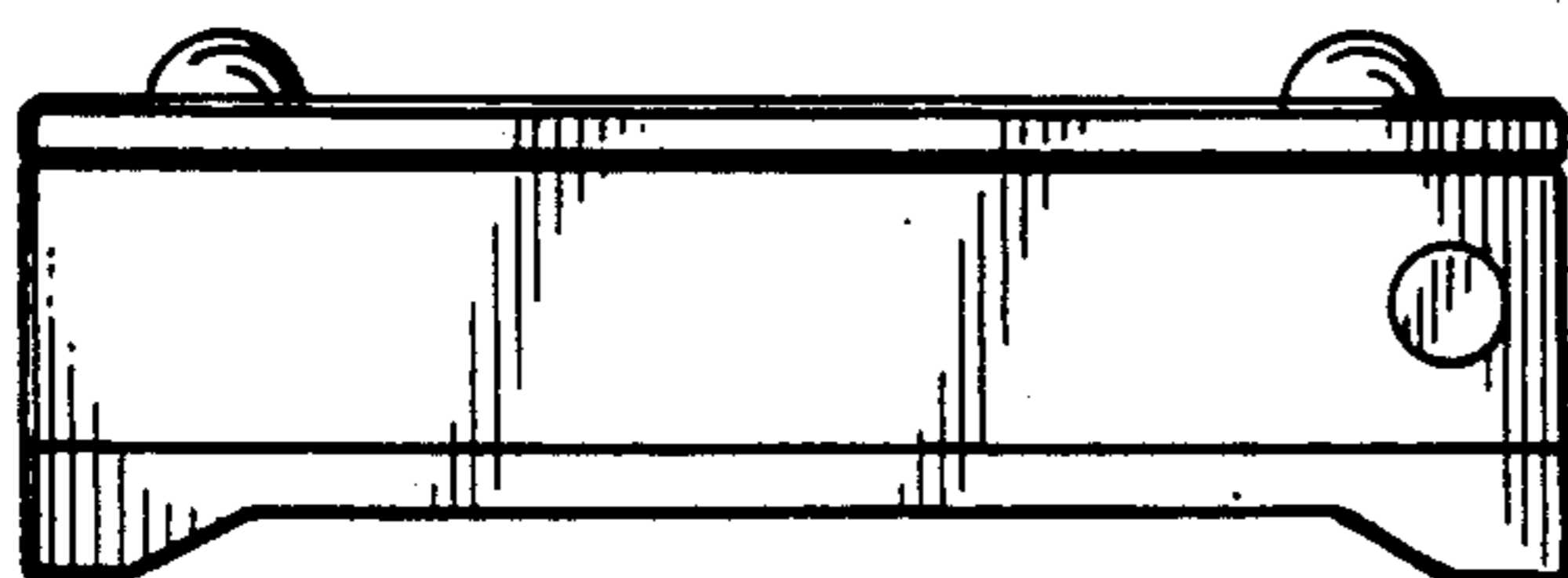
*Fig.2*



*Fig.3*



*Fig.4*



*Fig.5*

