

[54] PERPENDICULAR END TUBE GRIPPING PLIERS

2,181,746 11/1939 Siebrandt ..... 7/125 X  
2,599,676 6/1952 Wagner ..... 7/125 X

[76] Inventor: John J. Dobias, 1212 Sumach Dr., Windsor, Canada, N8S 2S4

Primary Examiner—Alan P. Douglas  
Attorney, Agent, or Firm—Dale R. Small

[\*\*] Term: 14 Years

[57] CLAIM

[21] Appl. No.: 770,930

The ornamental design for perpendicular end tube gripping pliers, substantially as shown and described.

[22] Filed: Feb. 22, 1977

DESCRIPTION

[51] Int. Cl. .... D8—05

FIG. 1 is a front elevation view of the perpendicular end tube gripping pliers;

[52] U.S. Cl. .... D8/58

FIG. 2 is a side view of the pliers, taken in the direction of arrow 2 in FIG. 1;

[58] Field of Search ..... D8/58, 52; 7/125, 126

FIG. 3 is a back elevation view of the pliers;

[56] References Cited

U.S. PATENT DOCUMENTS

D. 107,008 11/1937 Dellinger ..... D8/58  
D. 196,937 11/1963 Madiero ..... D8/58

FIG. 4 is an end view of the pliers, taken in the direction of arrow 4 in FIG. 3;

FIG. 5 is an end view of the pliers taken in the direction of arrow 5 in FIG. 3.

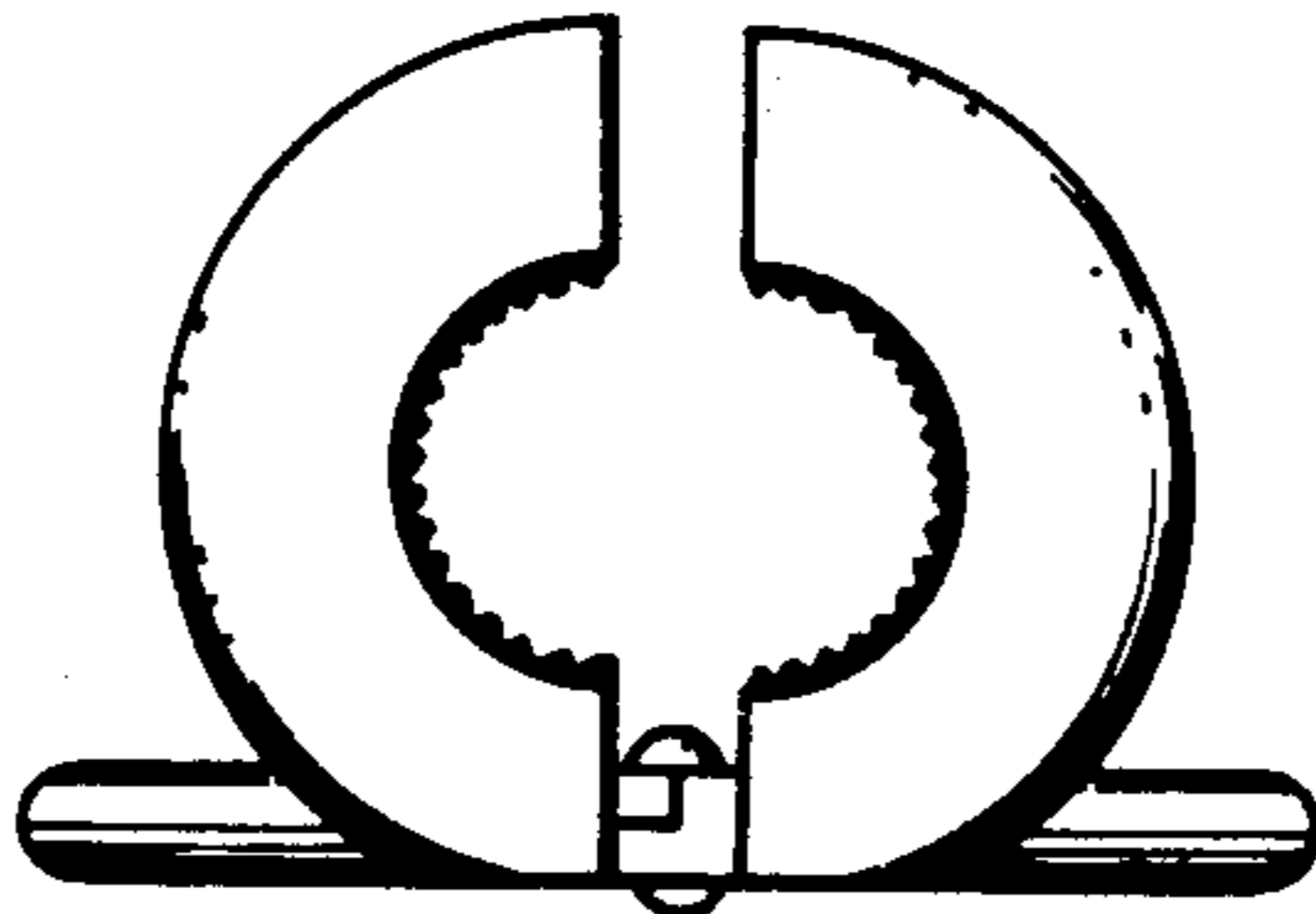
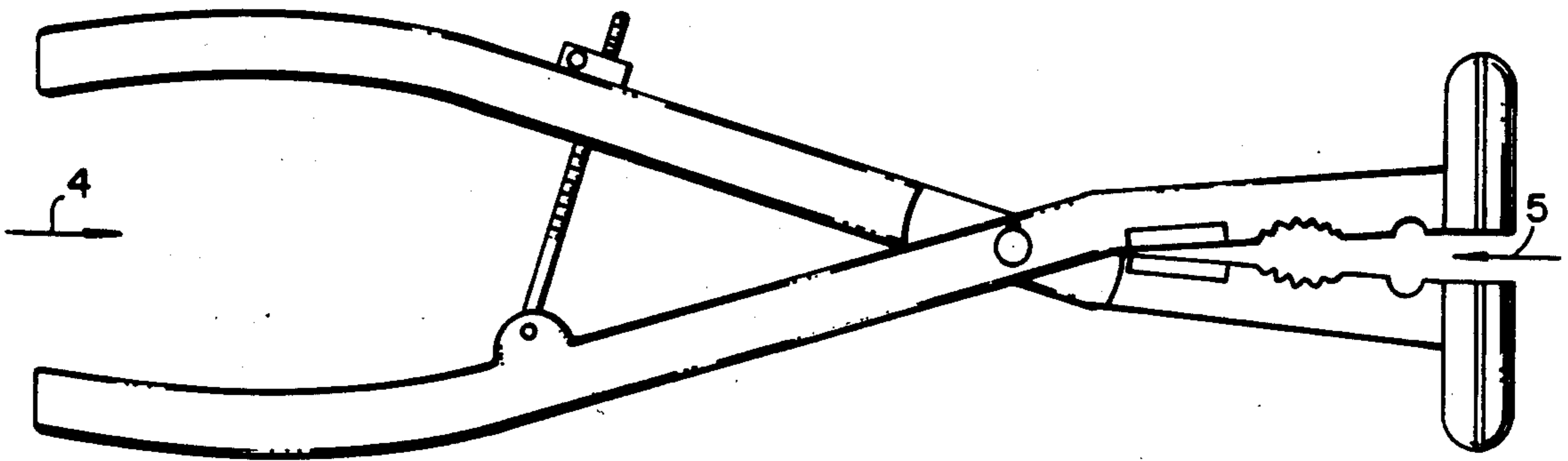


FIG. 1

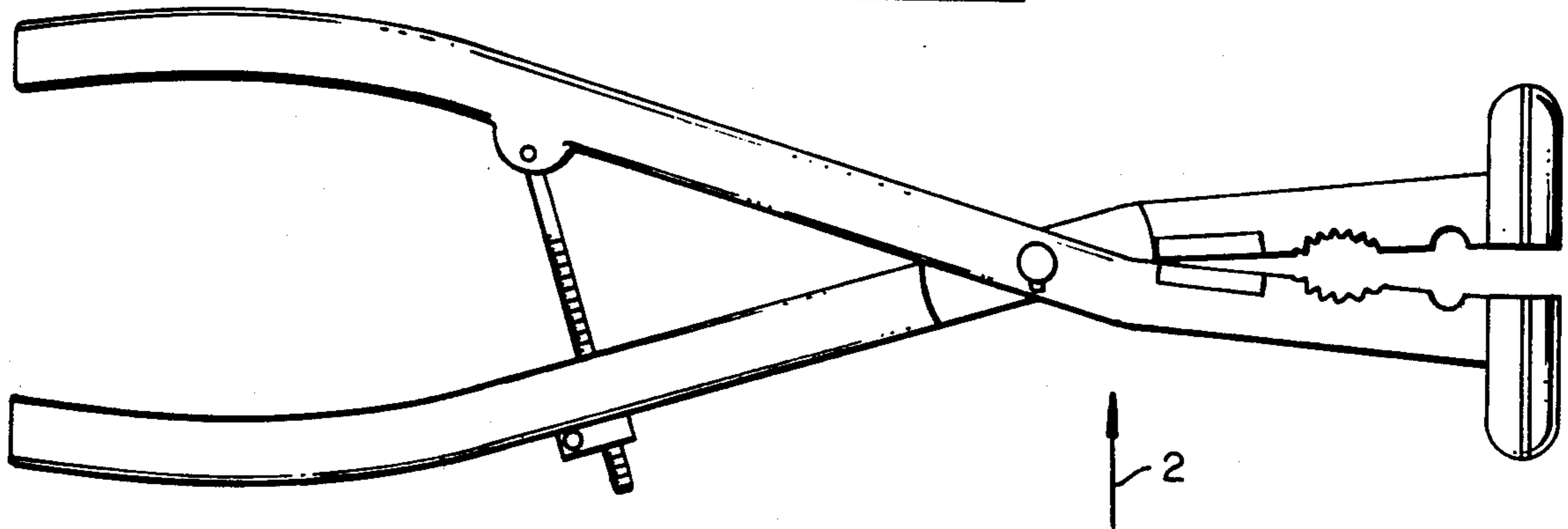


FIG. 2

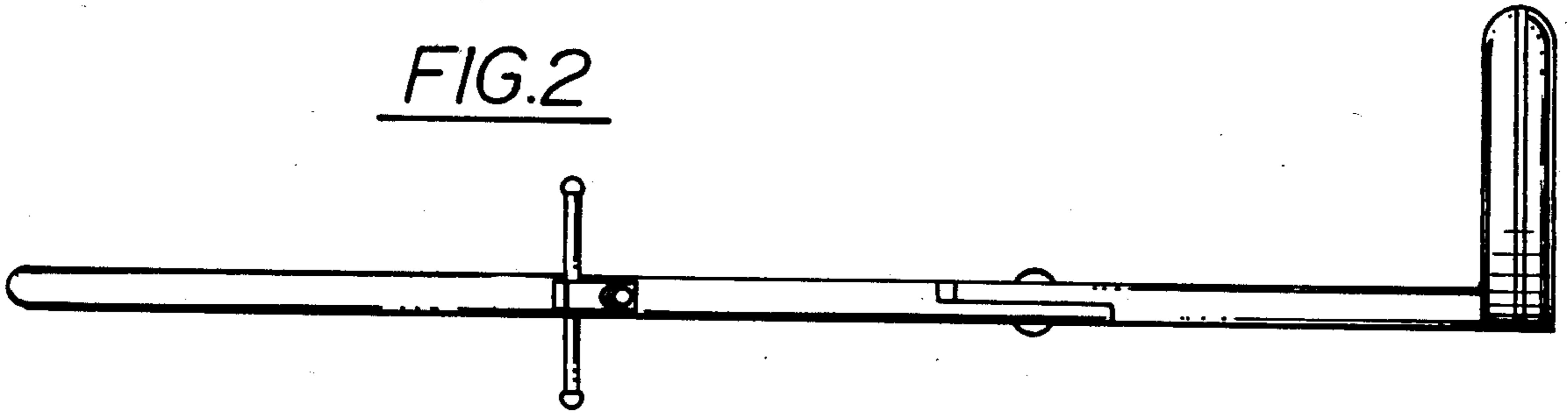


FIG. 3

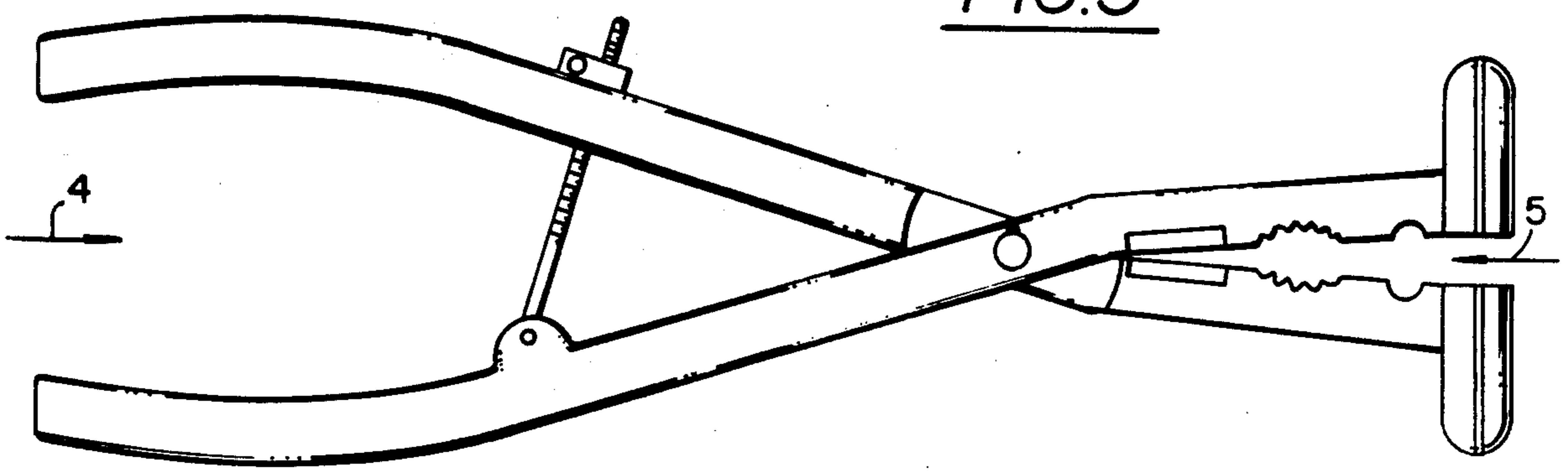


FIG. 4

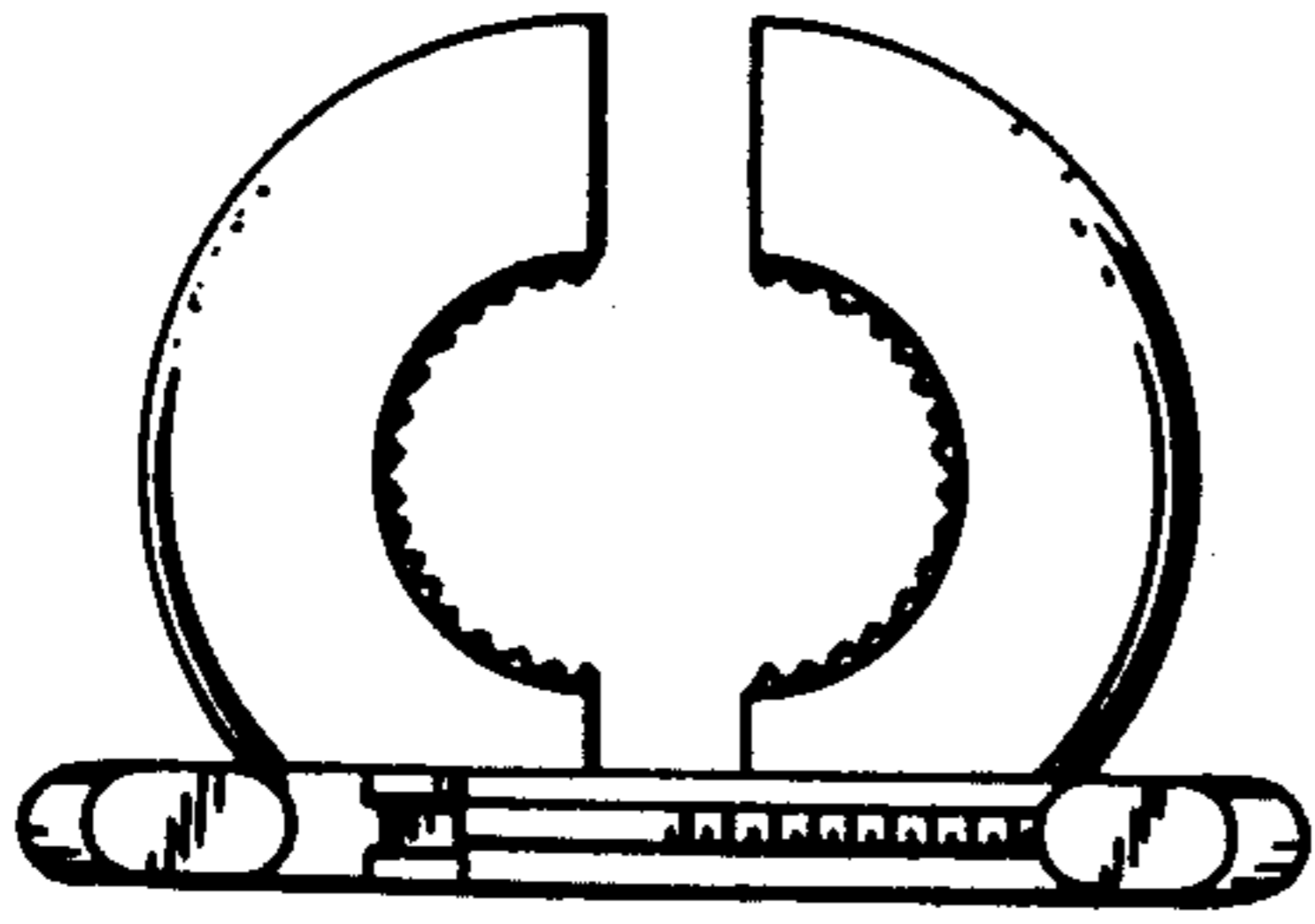


FIG. 5

