

[54] UTILITY LIGHT

3,935,560 1/1976 Dorn 362/378

[75] Inventors: George J. Lawrence, N. Kingston;
Joan K. Creamer, Warwick, both of
R.I.

Primary Examiner—Susan J. Lucas
Attorney, Agent, or Firm—Paul E. Rochford

[73] Assignee: General Electric Company, New
York, N.Y.

[57] CLAIM

The ornamental design for a utility light, as shown and
described.

[**] Term: 14 Years

DESCRIPTION

[21] Appl. No.: 801,264

FIG. 1 is a perspective view of a utility light illustrating
our new design.

[22] Filed: May 27, 1977

FIG. 2 is a front elevational view of the utility light of
FIG. 1 on an enlarged scale.

[51] Int. Cl. D26—02

[52] U.S. Cl. D48/24 R

[58] Field of Search 362/326, 361, 376, 378,
362/158, 161, 164, 184, 187, 189, 183, 190, 194,
196, 258; D48/16 B, 20 E, 24 R

FIG. 3 is a vertical side elevational view of a first side
of a utility light illustrating our new design on an en-
larged scale.

FIG. 4 is a vertical side elevational view of the other
side of a utility light illustrating our new design on an
enlarged scale.

[56] References Cited

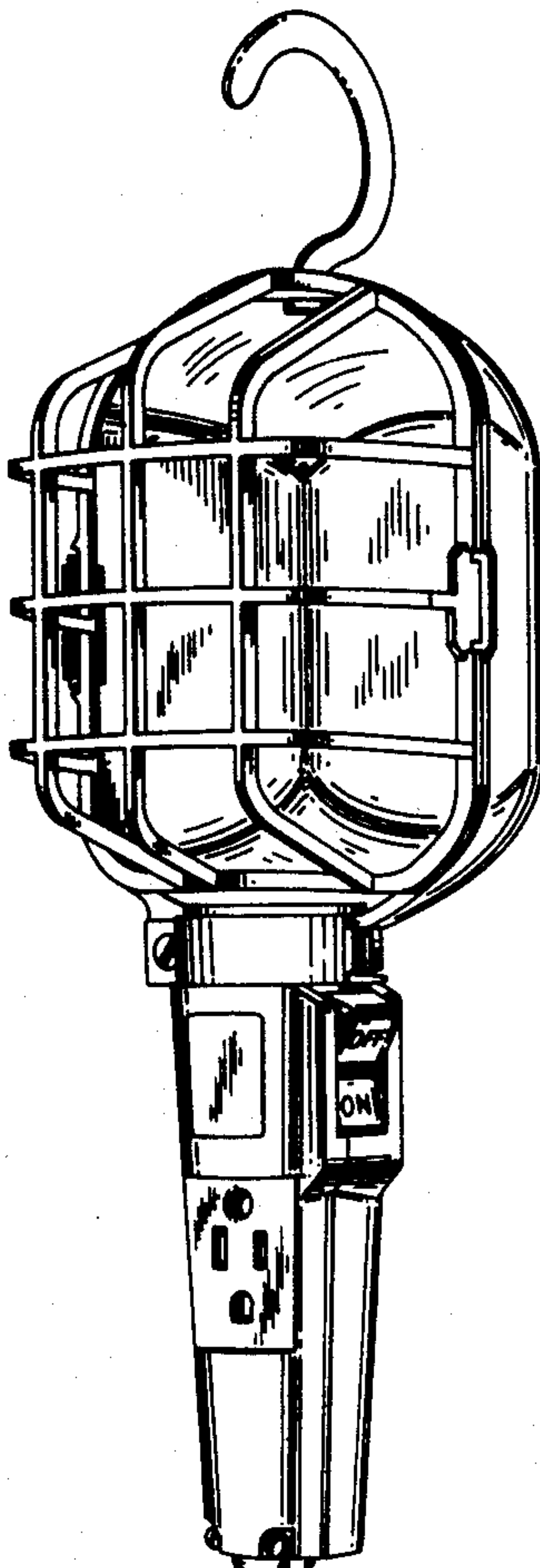
U.S. PATENT DOCUMENTS

D. 173,764	12/1954	Reeves	D48/16 B
D. 240,157	6/1976	Dorn	D48/16 B
2,608,643	8/1952	Day	362/344
3,119,568	1/1964	Broder	362/344
3,536,907	10/1970	Kramer	362/344

FIG. 5 is a rear elevational view of the utility light of
FIG. 1 on an enlarged scale.

FIG. 6 is a bottom plan view of the utility light as in
FIG. 1 on an enlarged scale.

FIG. 7 is a top plan view of the utility light of FIG. 1 on
an enlarged scale.



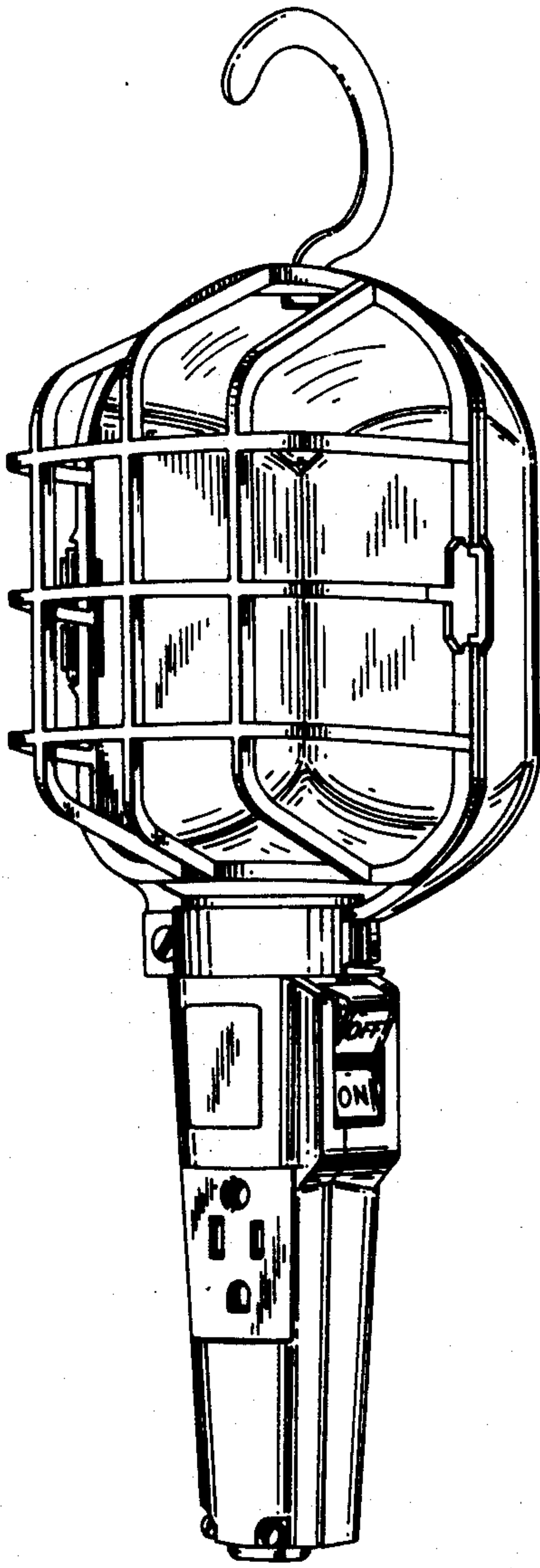


FIG. 1

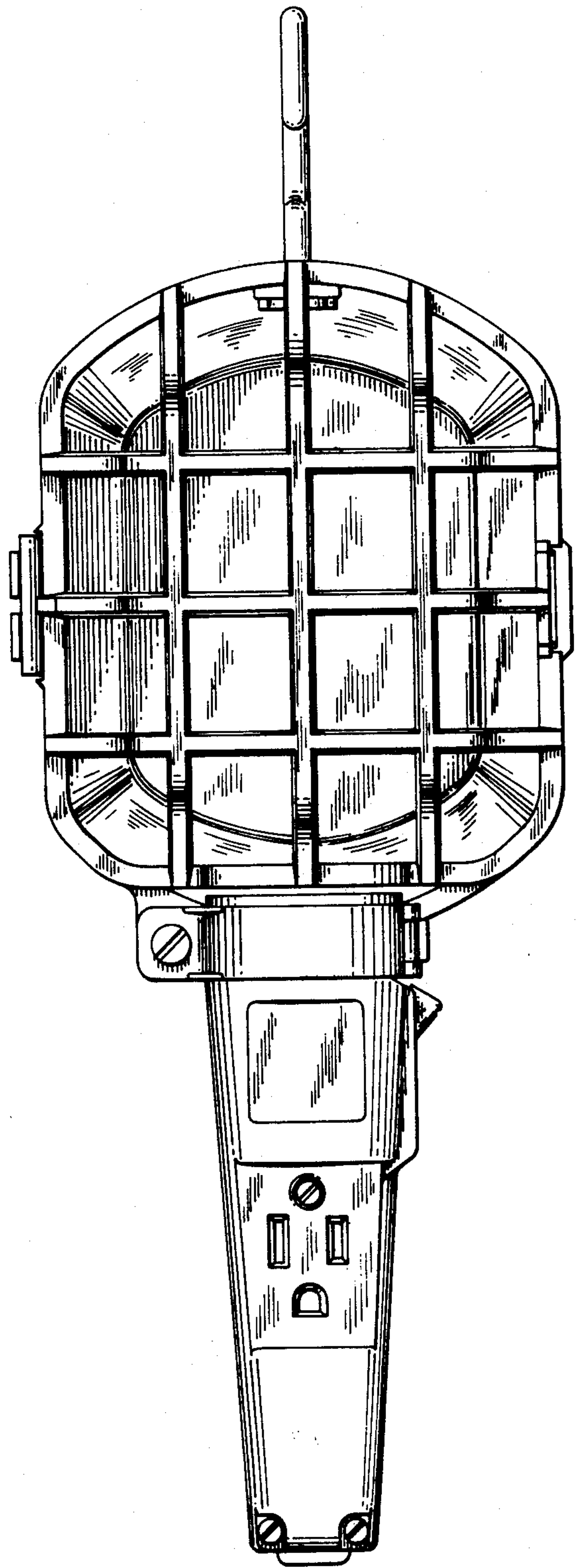


FIG. 2

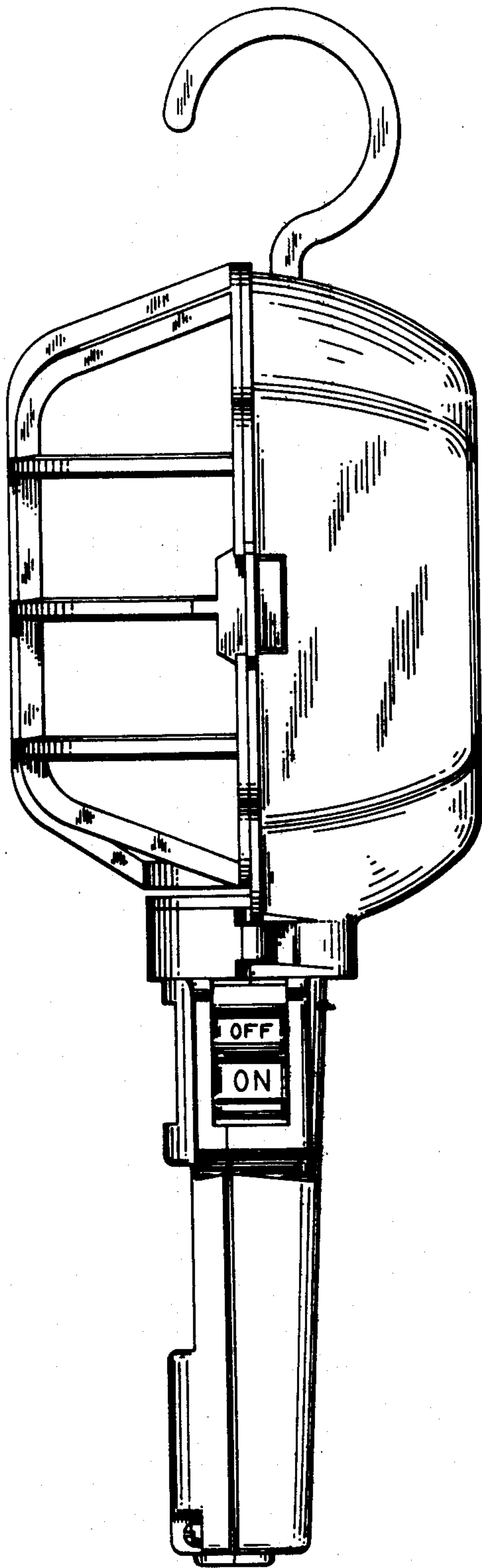


FIG. 3

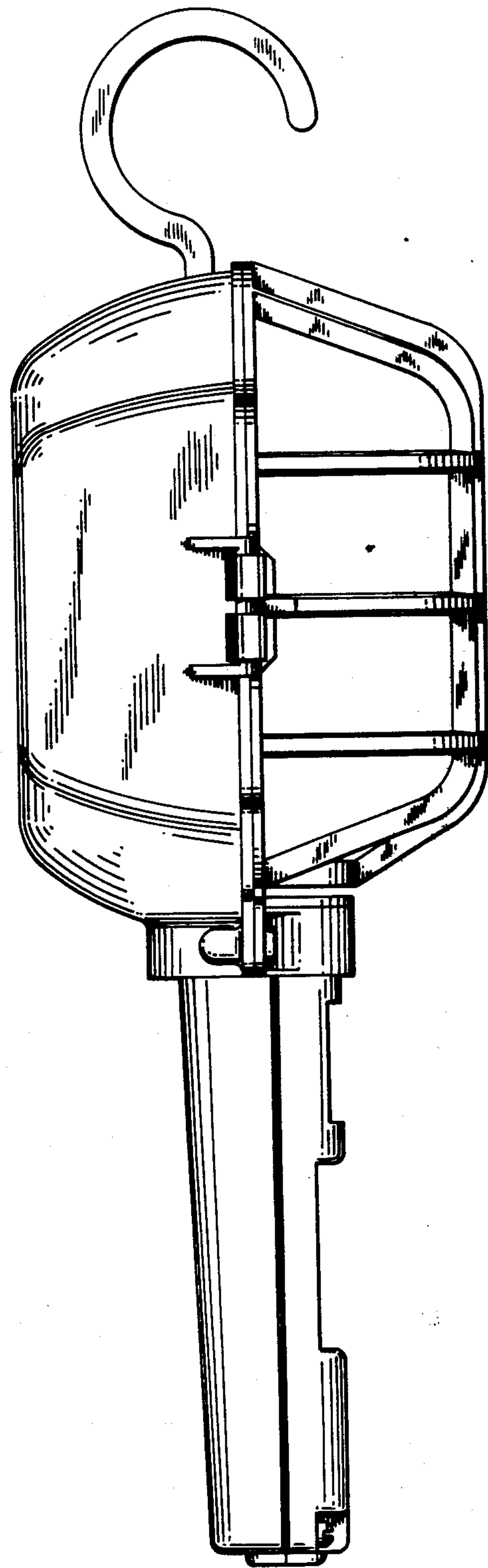


FIG. 4

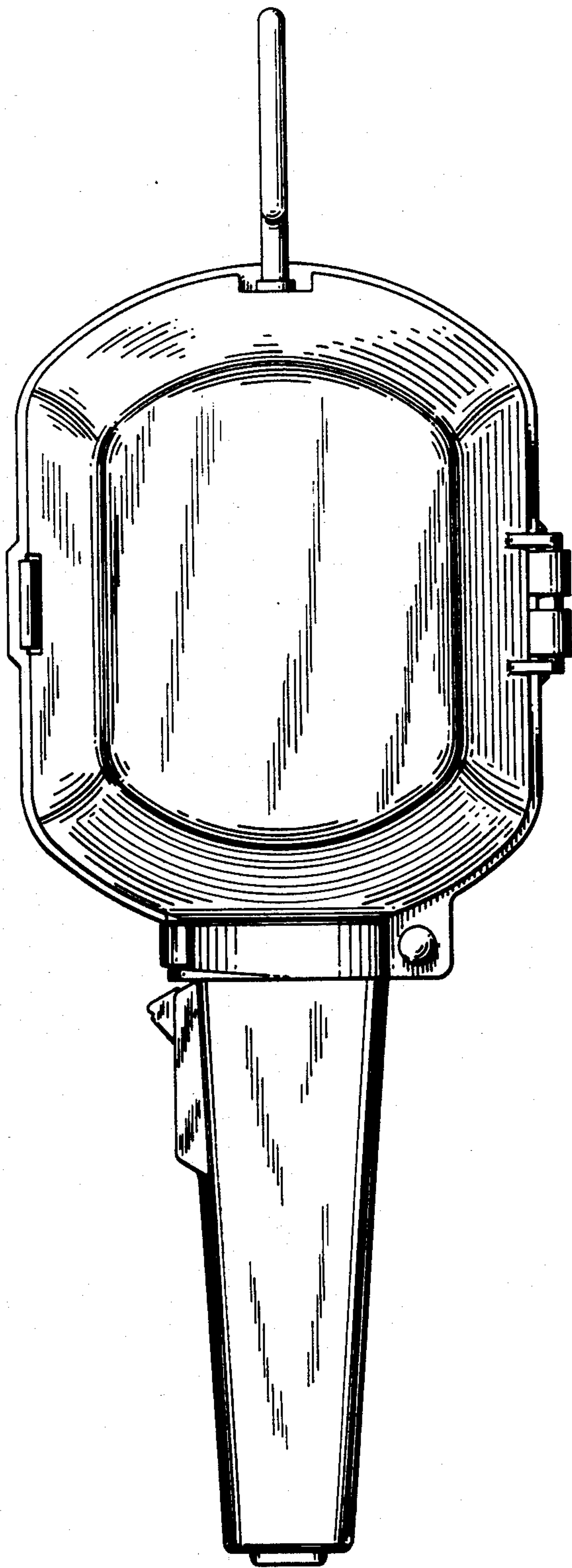


FIG. 5

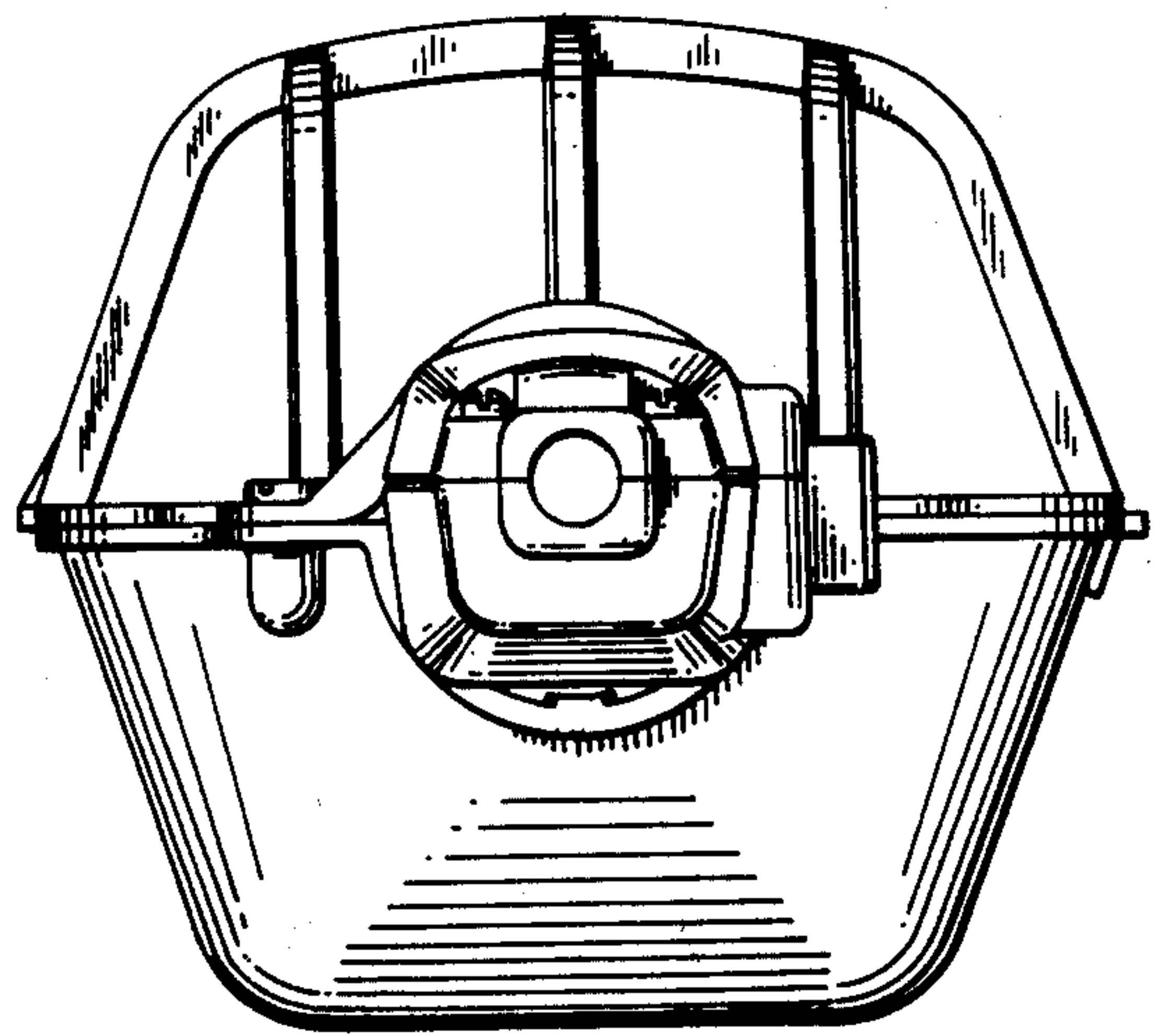


FIG. 6

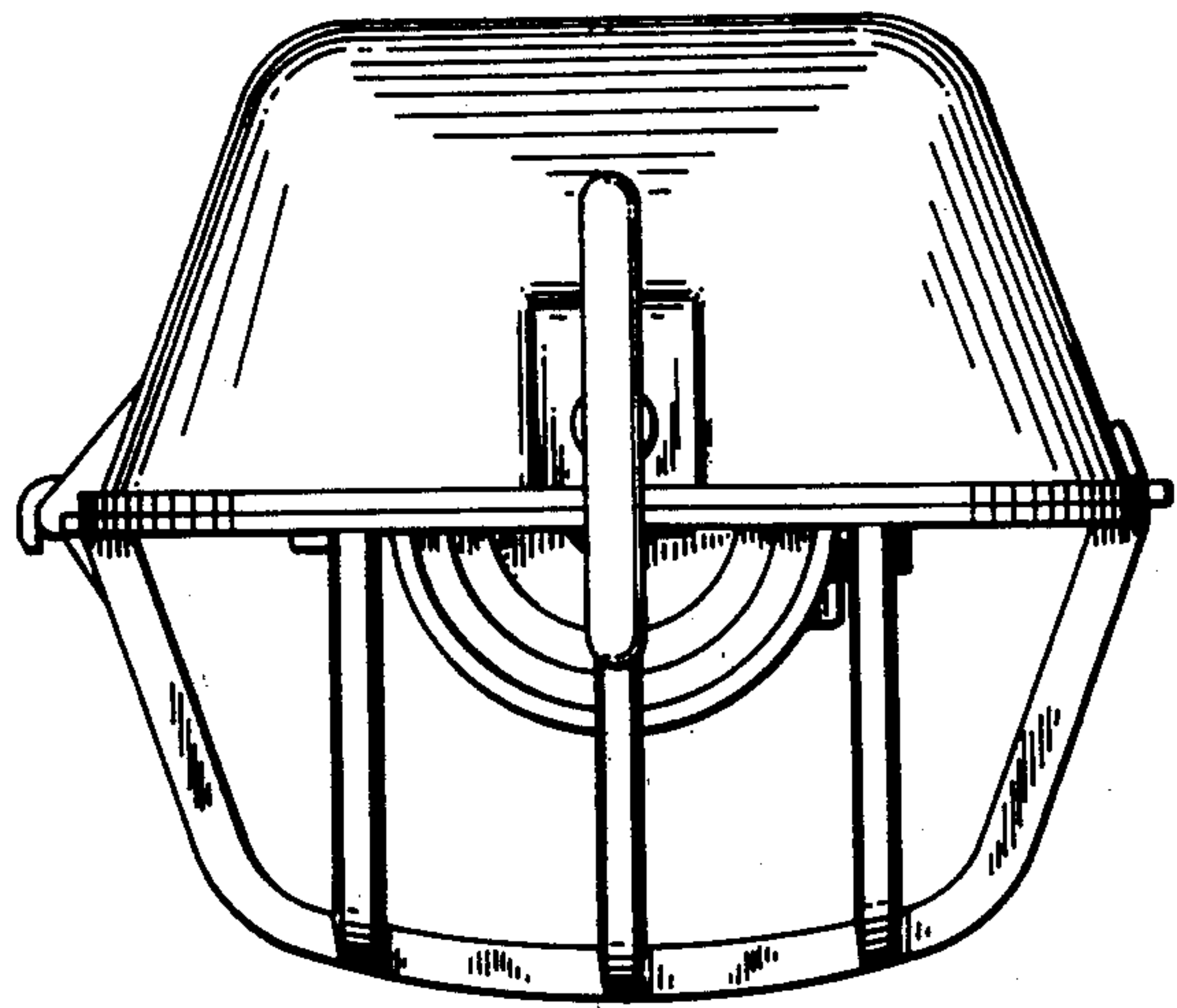


FIG. 7