

[54] TOY VEHICLE

[75] Inventor: Terada Shigenori, Tokyo, Japan

[73] Assignee: Tomy Kogyo Co., Inc., Tokyo, Japan

[**] Term: 14 Years

[21] Appl. No.: 821,613

[22] Filed: Aug. 3, 1977

[51] Int. Cl. D21-01

[52] U.S. Cl. D21/138

[58] Field of Search D34/15 AJ, 15 AN;
46/97, 111, 201, 202, 206, 210, 214

[56] References Cited

U.S. PATENT DOCUMENTS

D. 188,860 9/1960 Cagan et al. D34/15 AJ

D. 226,013 1/1973 Ogasawara D34/15 AJ
D. 226,121 1/1973 Gilford et al. D34/15 AJ
3,942,285 3/1976 Dehner 46/201

Primary Examiner—Bruce W. Dunkins
Assistant Examiner—C. A. Rademaker
Attorney, Agent, or Firm—Edward D. O'Brian

[57] CLAIM

The ornamental design for toy vehicle, as shown and described.

DESCRIPTION

FIG. 1 is a side elevational view of a toy vehicle embodying my new design the side opposite being substantially a mirror image;
FIG. 2 is a front elevational view thereof;
FIG. 3 is a rear elevational view thereof;
FIG. 4 is a top plan view thereof; and,
FIG. 5 is a bottom plan view thereof.

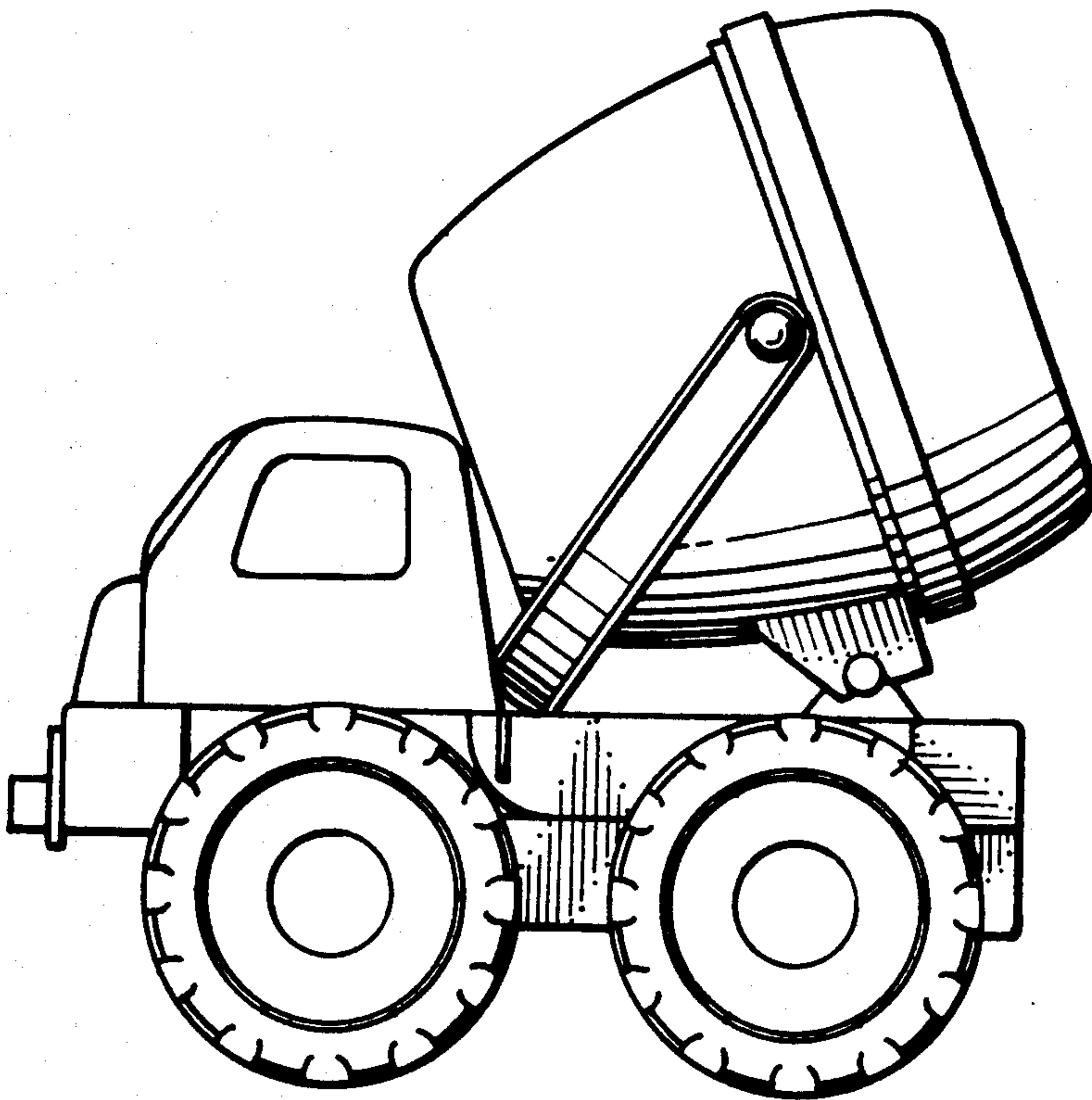


FIG. 1.

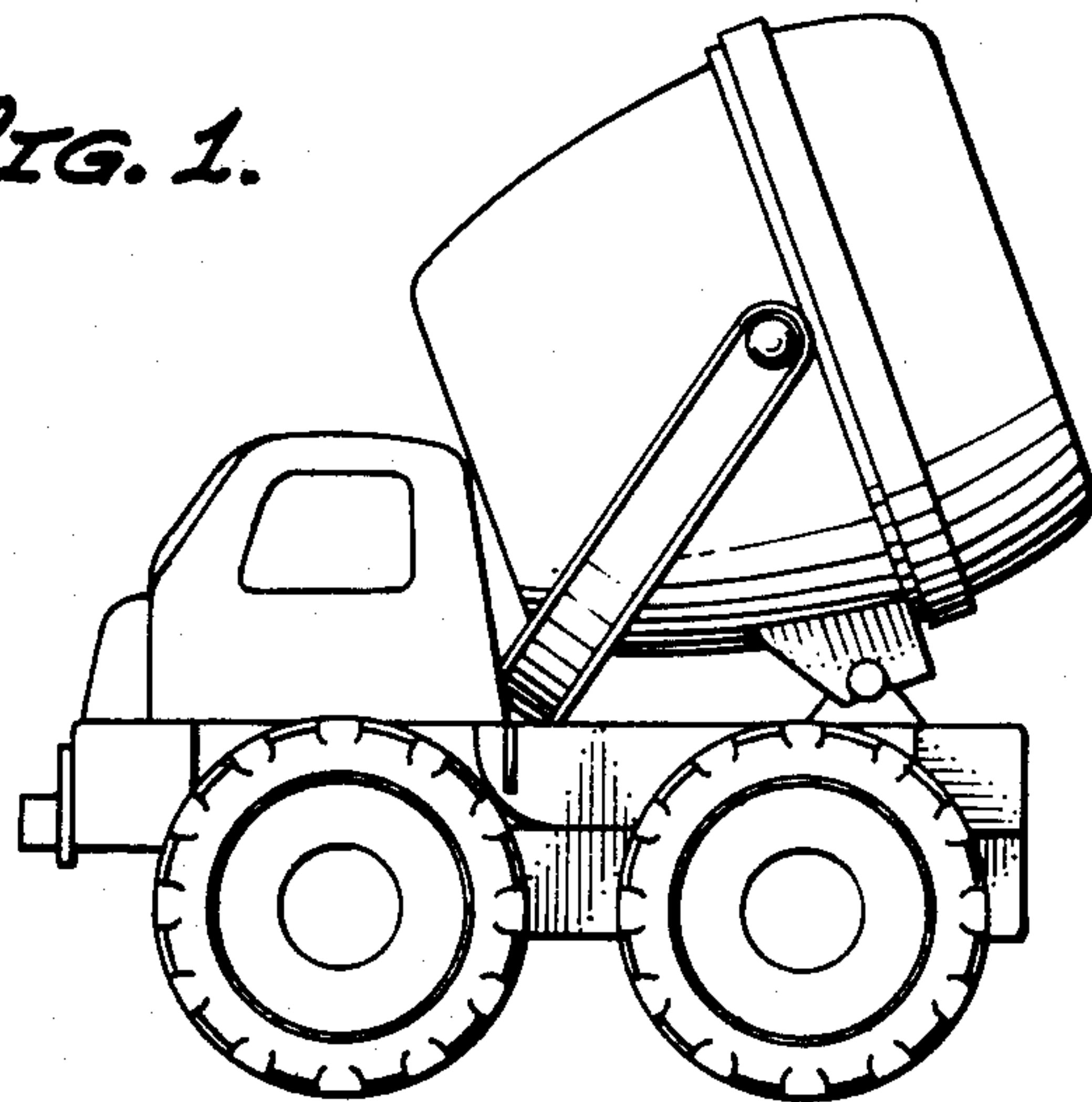


FIG. 2.

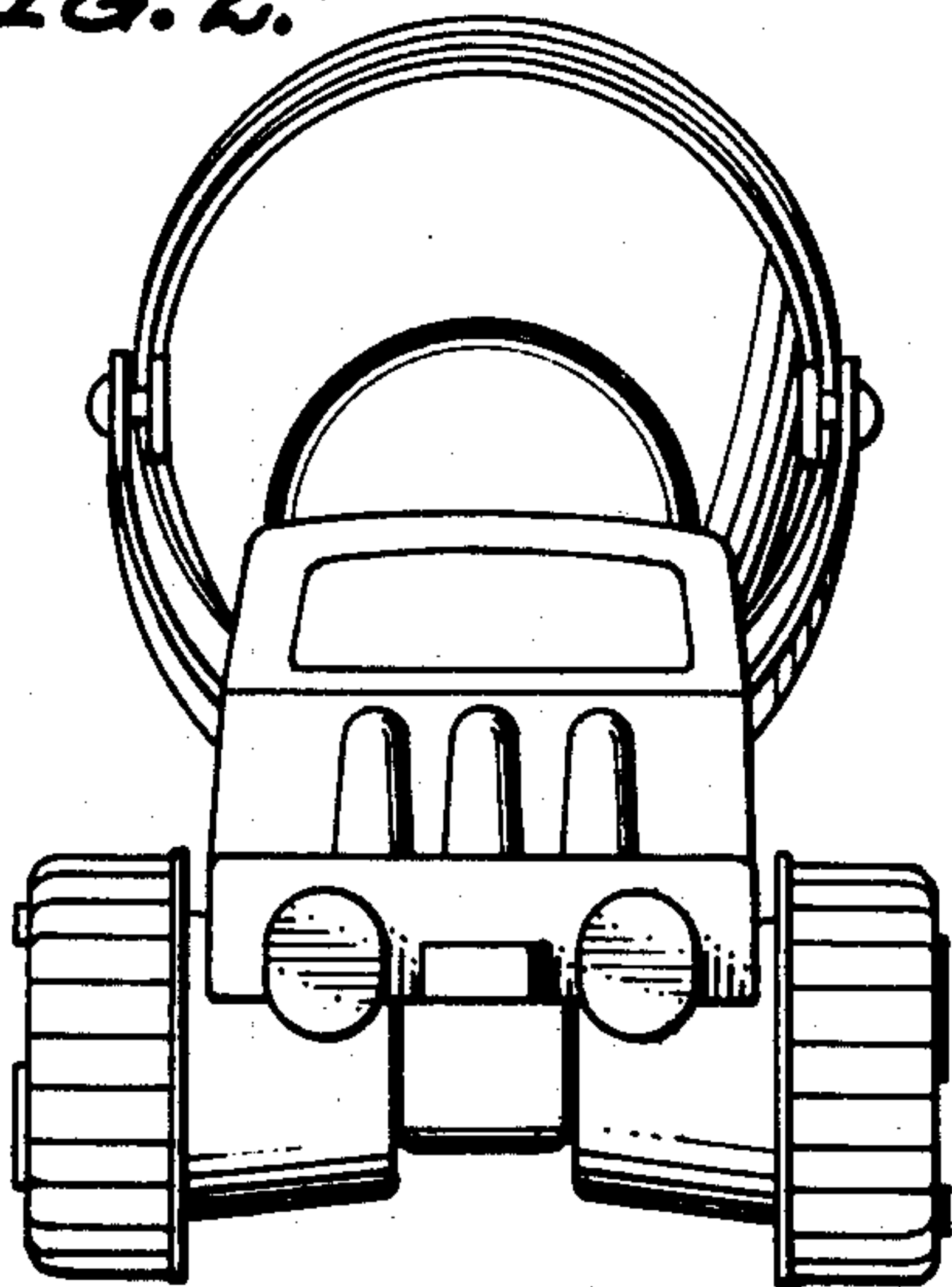


FIG. 3.

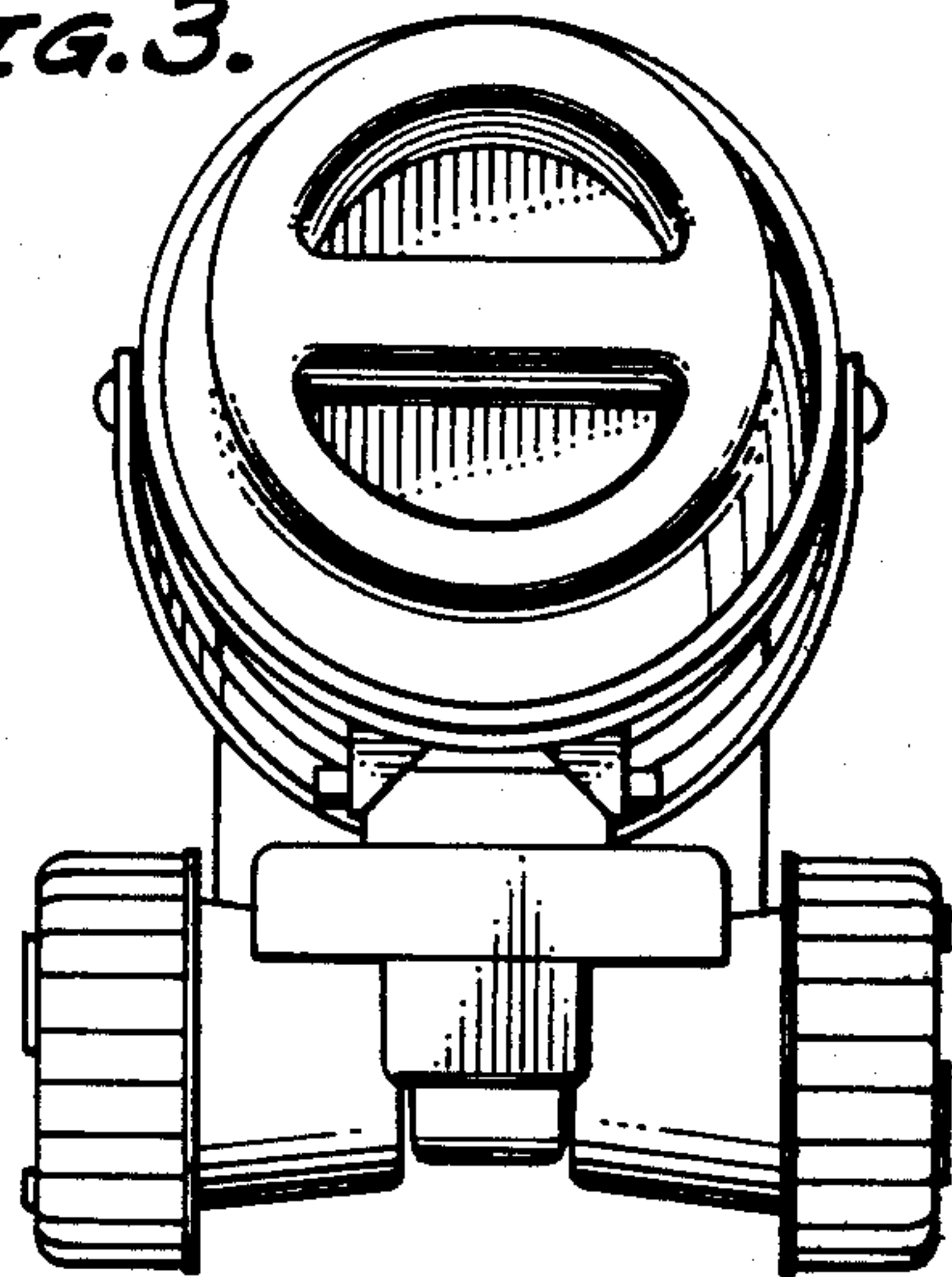


FIG. 4.

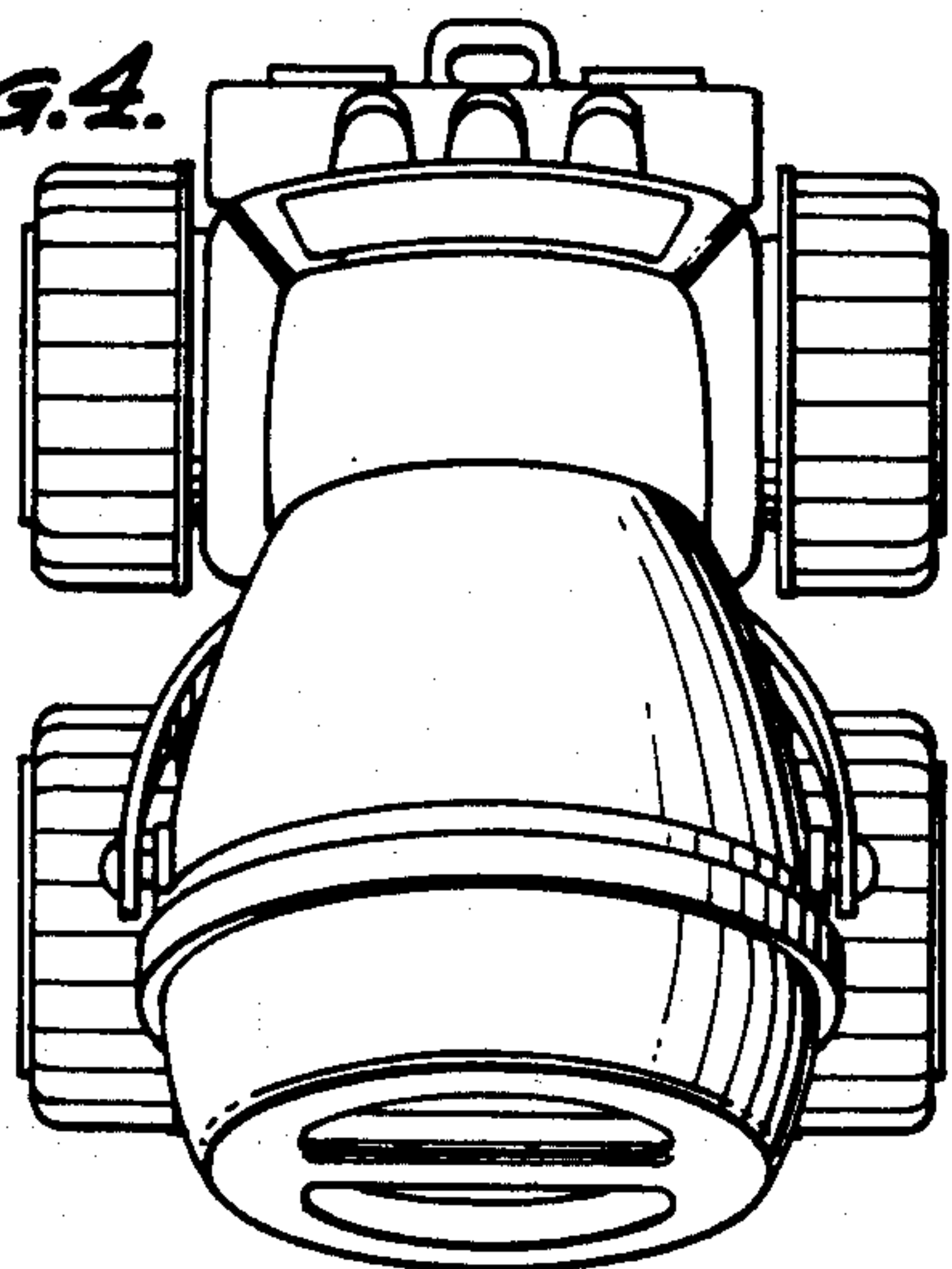


FIG. 5.

