

[54] RIDING TOY

[75] Inventor: Edward B. Bretschger, Cos Cob, Conn.

[73] Assignee: Louis Marx & Co., Inc., Stamford, Conn.

[**] Term: 14 Years

[21] Appl. No.: 767,415

[22] Filed: Feb. 10, 1977

[51] Int. Cl. D21-01

[52] U.S. Cl. D21/79

[58] Field of Search D34/15 AM, 15 AJ, 15 AT; 46/201, 202, 206, 222, 213; 280/87.01, 87.02 R, 105, 106 R; D15/15, 23

[56] References Cited

U.S. PATENT DOCUMENTS

D. 218,696	9/1970	Auer	D34/15 AJ
D. 222,692	12/1971	Pritchett	D15/23
D. 227,089	6/1973	Kamlukin et al.	D15/23

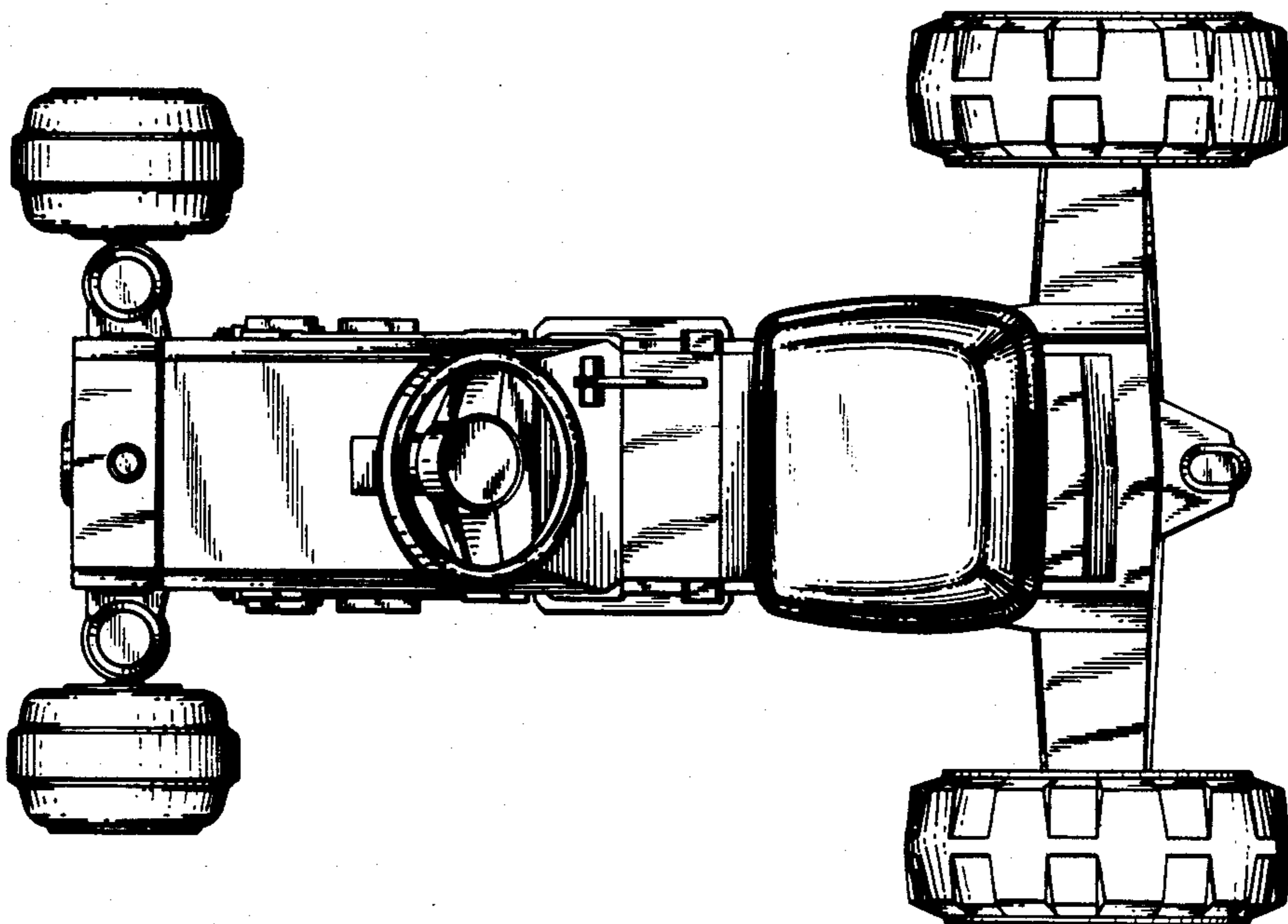
Primary Examiner—Joel Stearman
Assistant Examiner—C. A. Rademaker
Attorney, Agent, or Firm—Alex Friedman

[57] CLAIM

The ornamental design for a riding toy, as shown and described.

DESCRIPTION

FIG. 1 is a top plan view of a riding toy embodying my new design;
FIG. 2 is an elevational view thereof, the side opposite being substantially a mirror image;
FIG. 3 is a front elevational view thereof;
FIG. 4 is a rear elevational view thereof; and
FIG. 5 is a bottom plan view thereof.



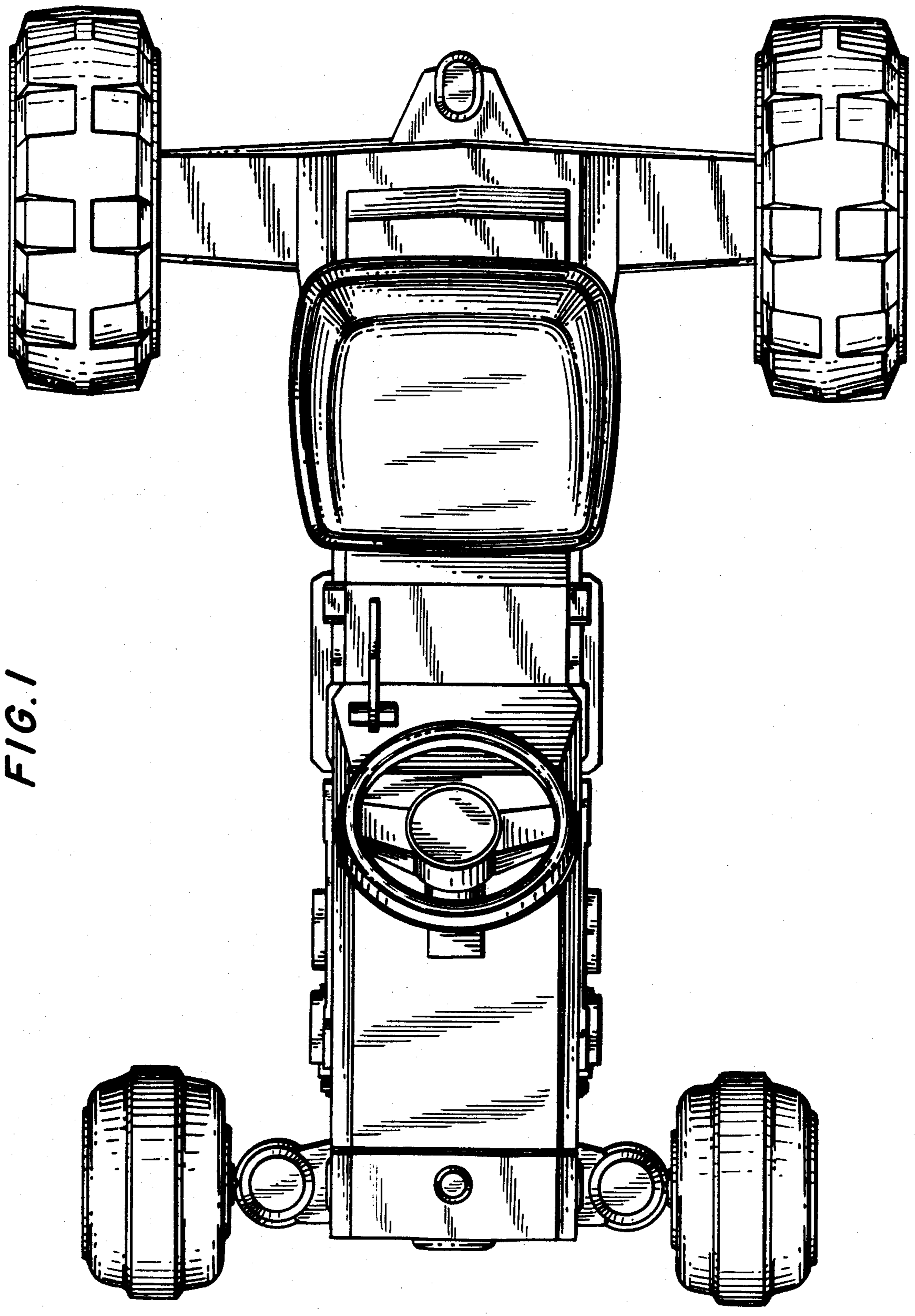


FIG. 1

FIG. 2

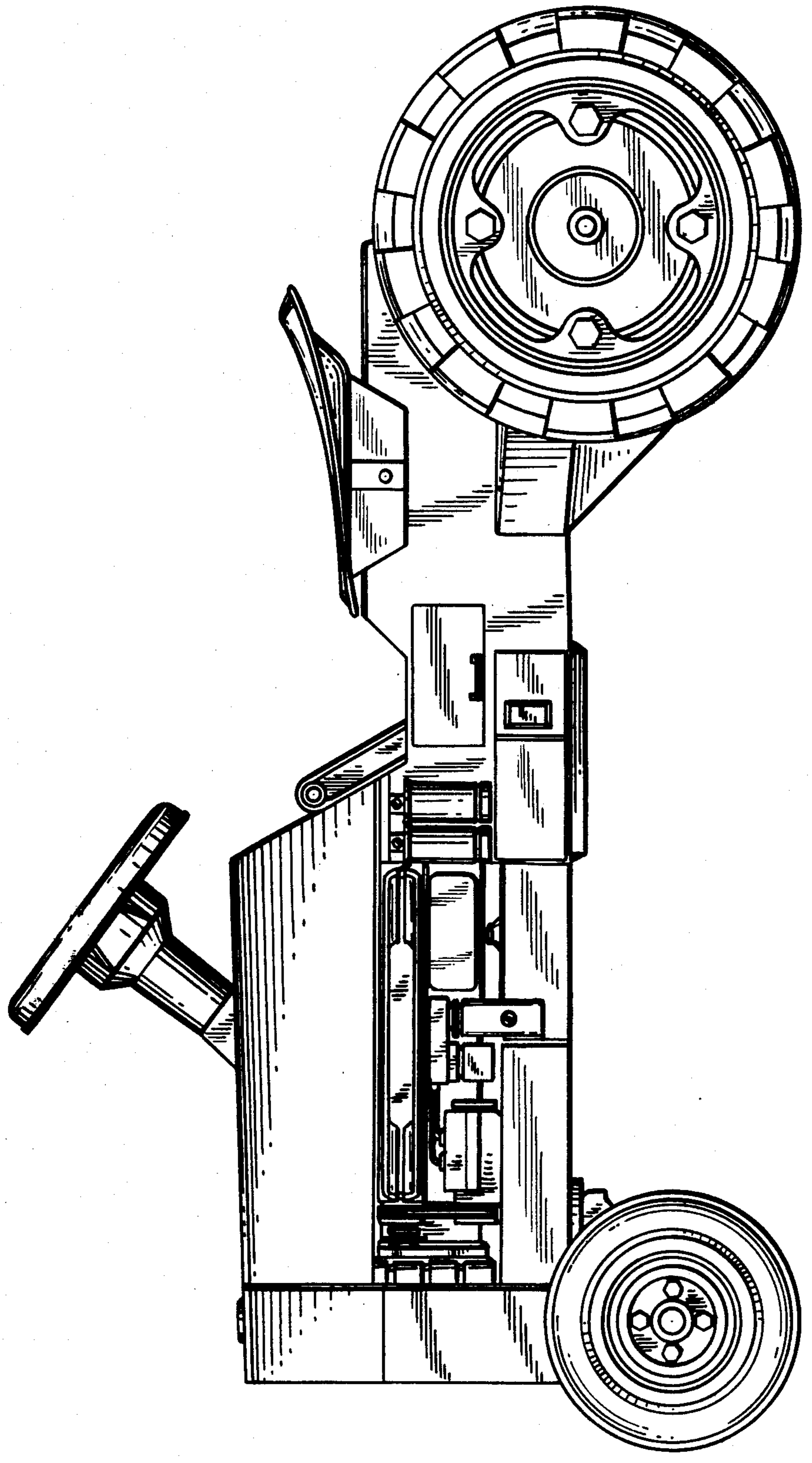


FIG. 3

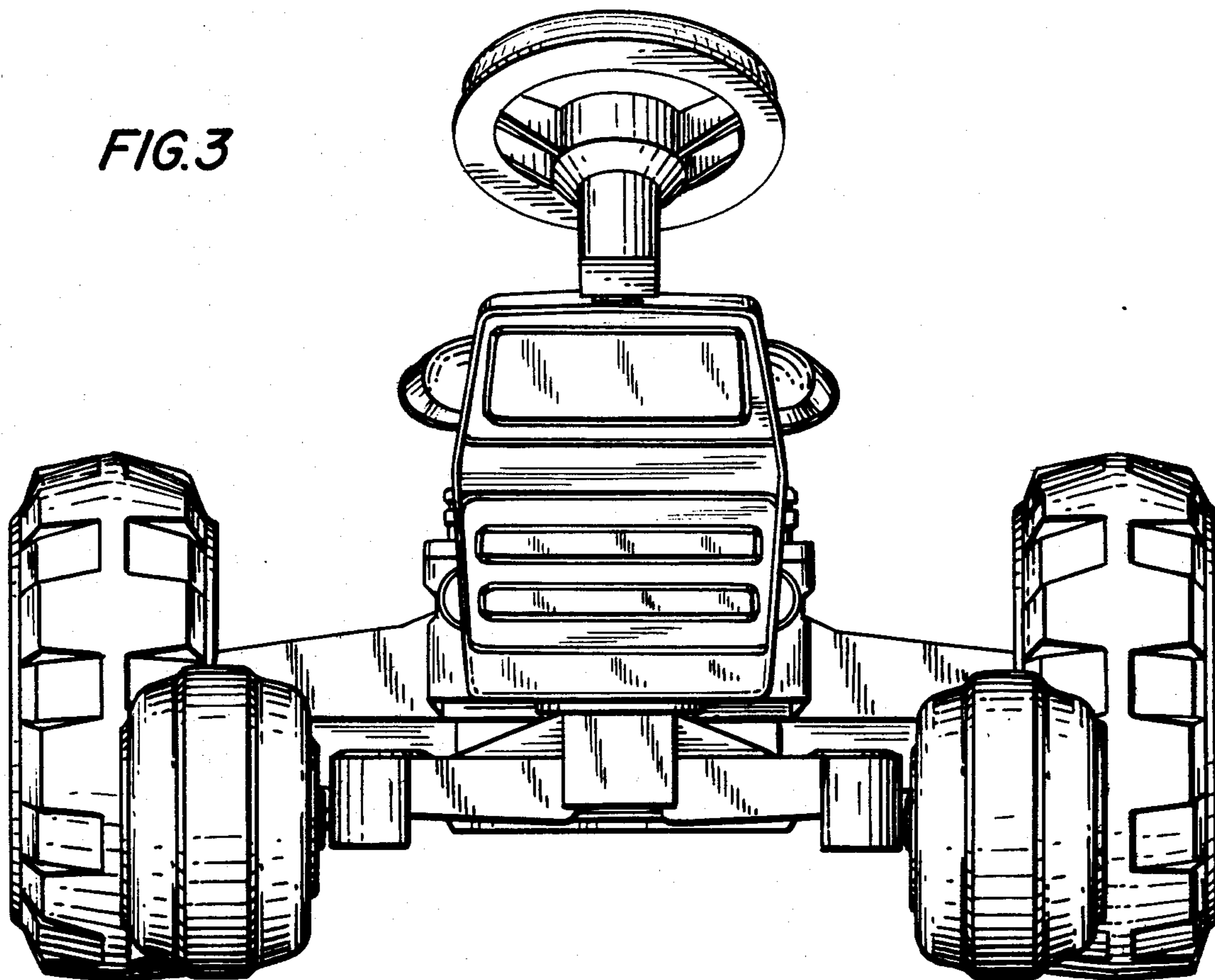
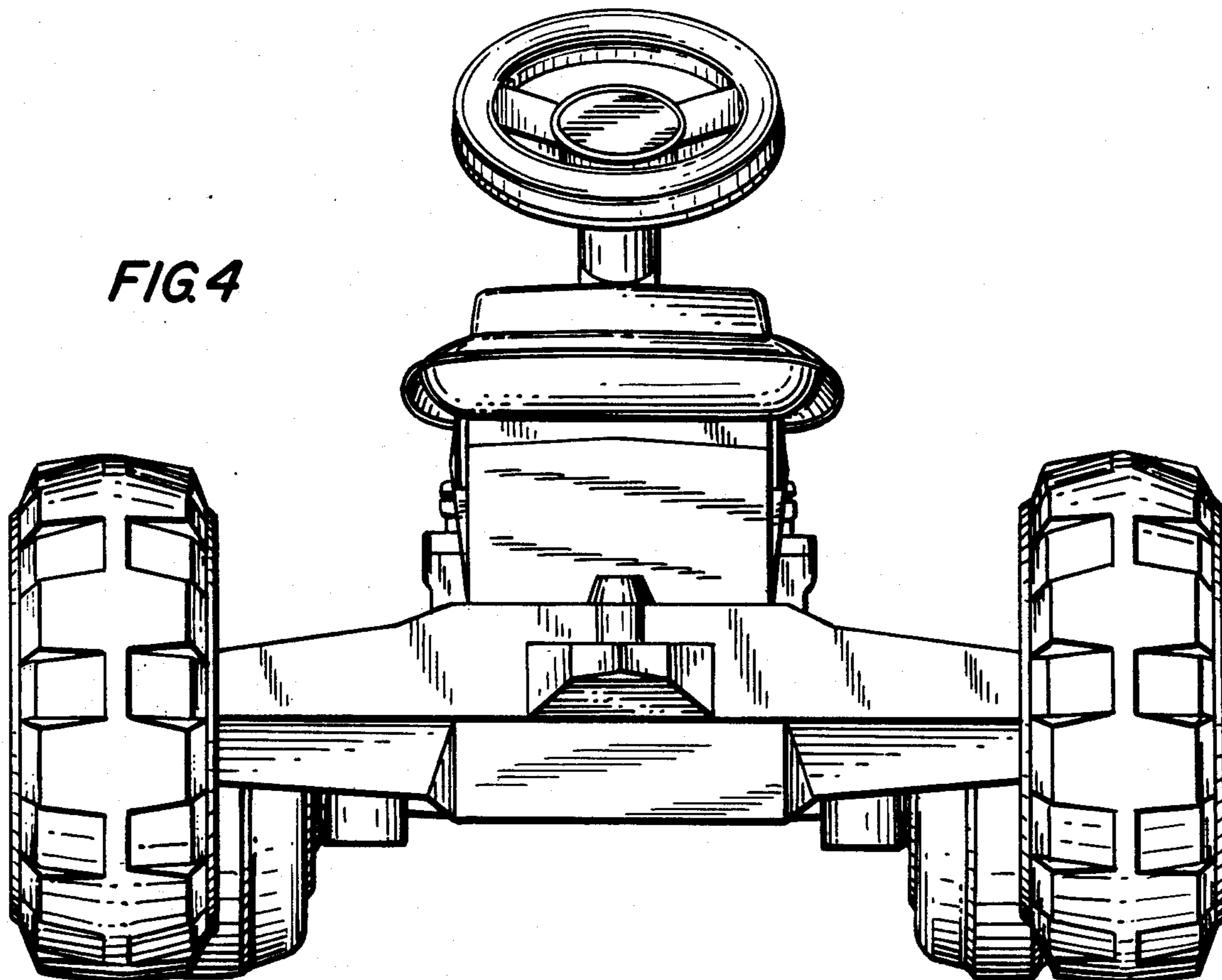


FIG. 4



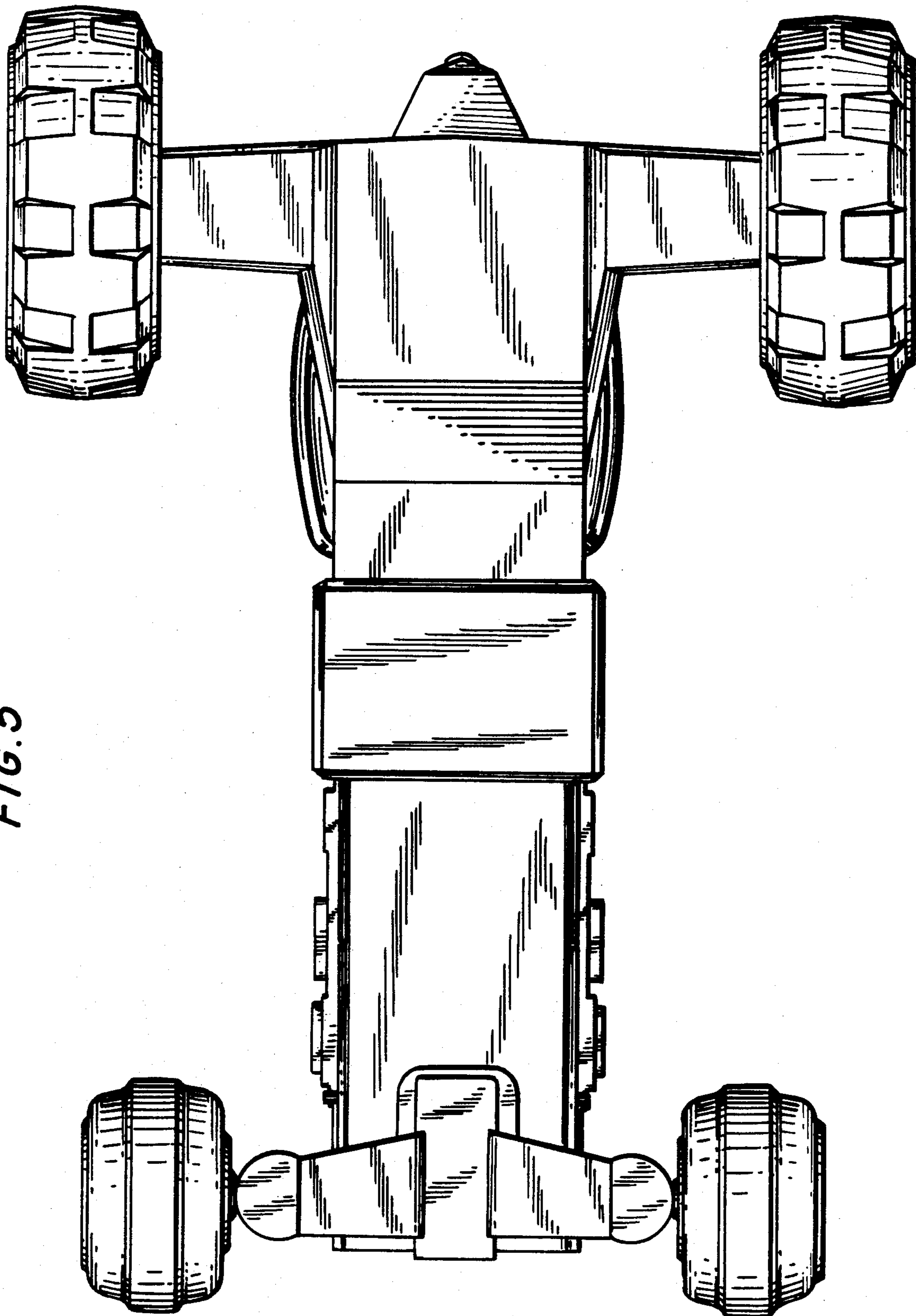


FIG. 5