

[54] FRAME FOR EXERCISER

[75] Inventors: Henry L. Valentine, Boulder; Louis A. Valentine, Aurora, both of Colo.

[73] Assignee: The Perfection Manufacturing Company, St. Louis, Mo.

[**] Term: 14 Years

[21] Appl. No.: 690,894

[22] Filed: May 28, 1976

[51] Int. Cl. D21-02

[52] U.S. Cl. D21/194

[58] Field of Search D34/5 K; 272/109, 62, 272/63, 74, 75, 68, 114, 116, 117, 125, 127, 133, 134, 144; D12/111, 112, 110, 114

[56] References Cited

U.S. PATENT DOCUMENTS

- D. 30,245 2/1899 Stearns D12/111
- D. 213,606 3/1969 Gordon et al. D12/111

- D. 220,668 5/1971 Purdy D12/111
- D. 233,160 10/1974 Jouk D34/5 K
- 3,833,216 9/1974 Philbin 272/73

OTHER PUBLICATIONS

Sears, Fall & Winter Catalog, 1967, p. 849, exercise--wheel bike at top left corner of page.

Primary Examiner—Joel Stearman

Assistant Examiner—C. A. Rademaker

Attorney, Agent, or Firm—Cohn, Powell & Hind

[57] CLAIM

The ornamental design for a frame for exerciser, as shown.

DESCRIPTION

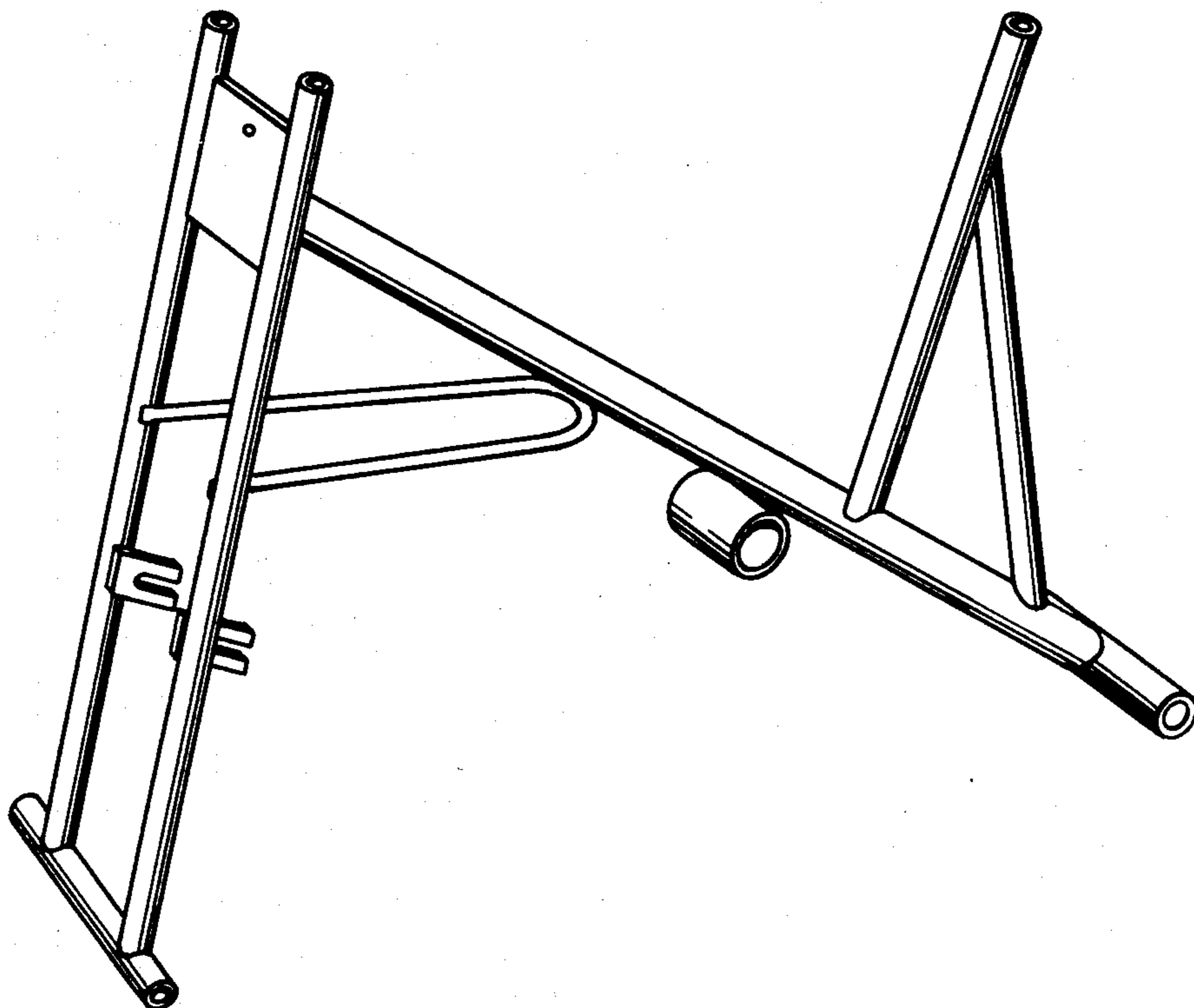
FIG. 1 is a front perspective view of a frame for exerciser showing our new design;

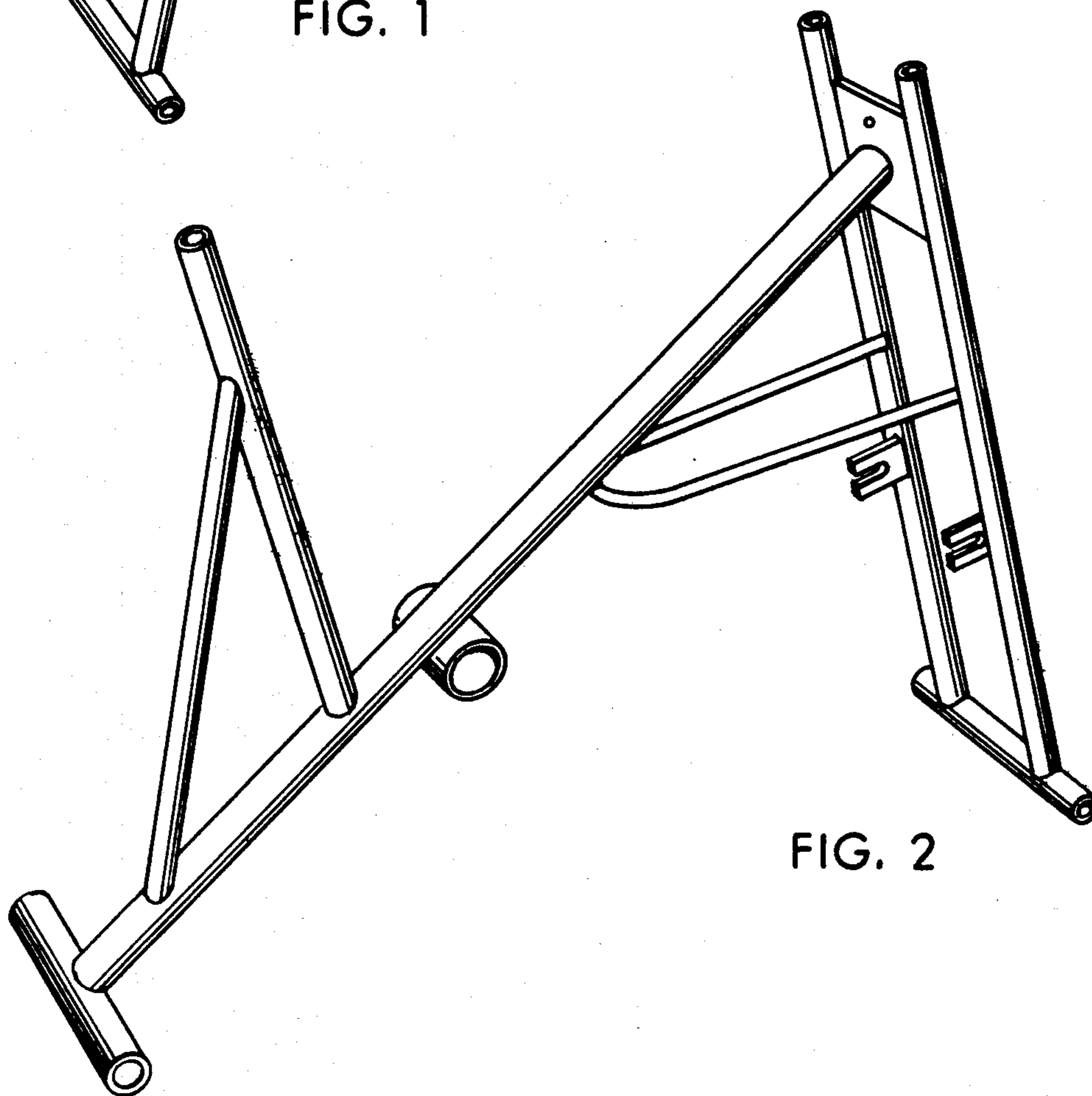
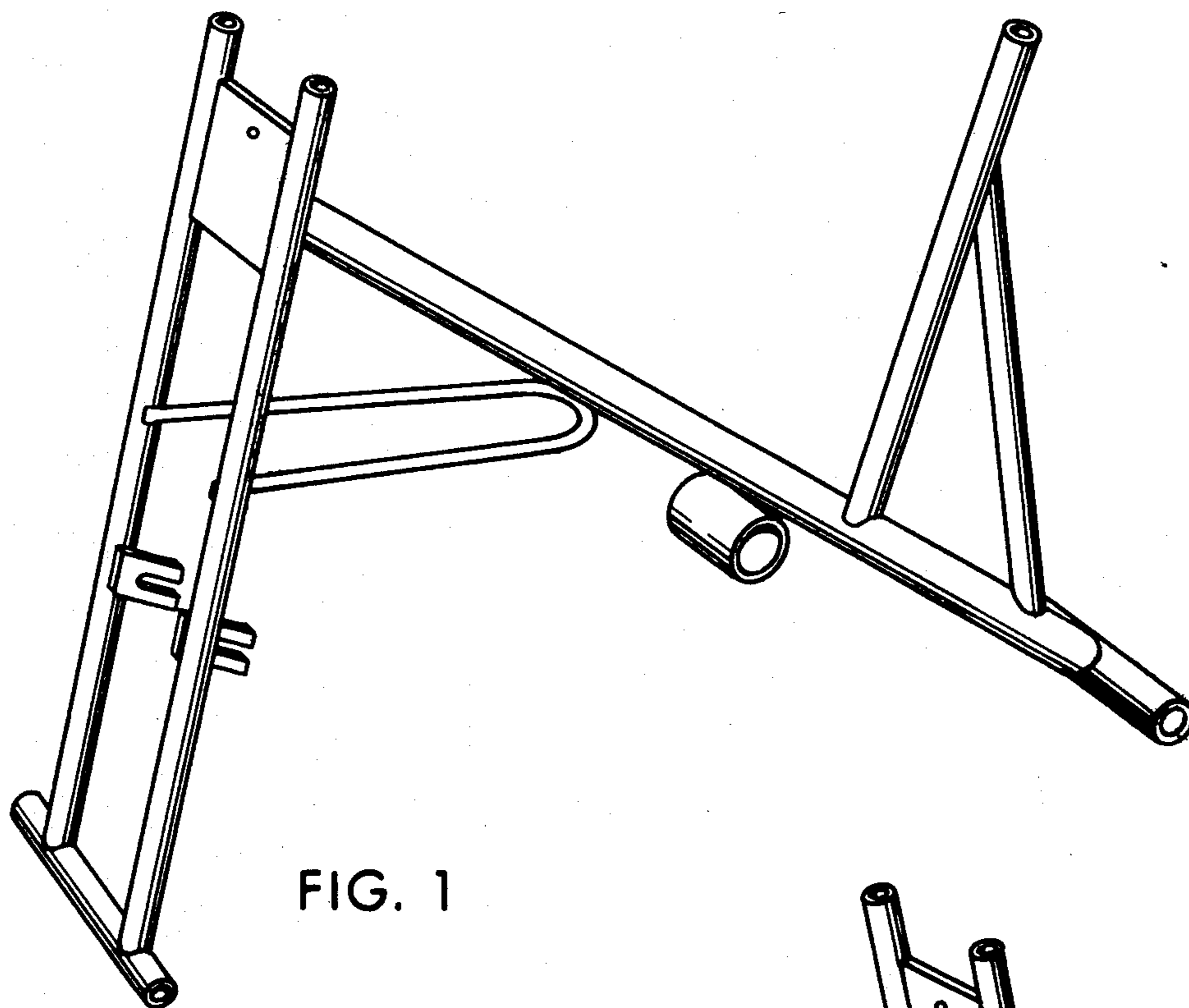
FIG. 2 is a rear perspective view thereof;

FIG. 3 is a side elevational view thereof;

FIG. 4 is a rear elevational view thereof; and

FIG. 5 is a front elevational view thereof.





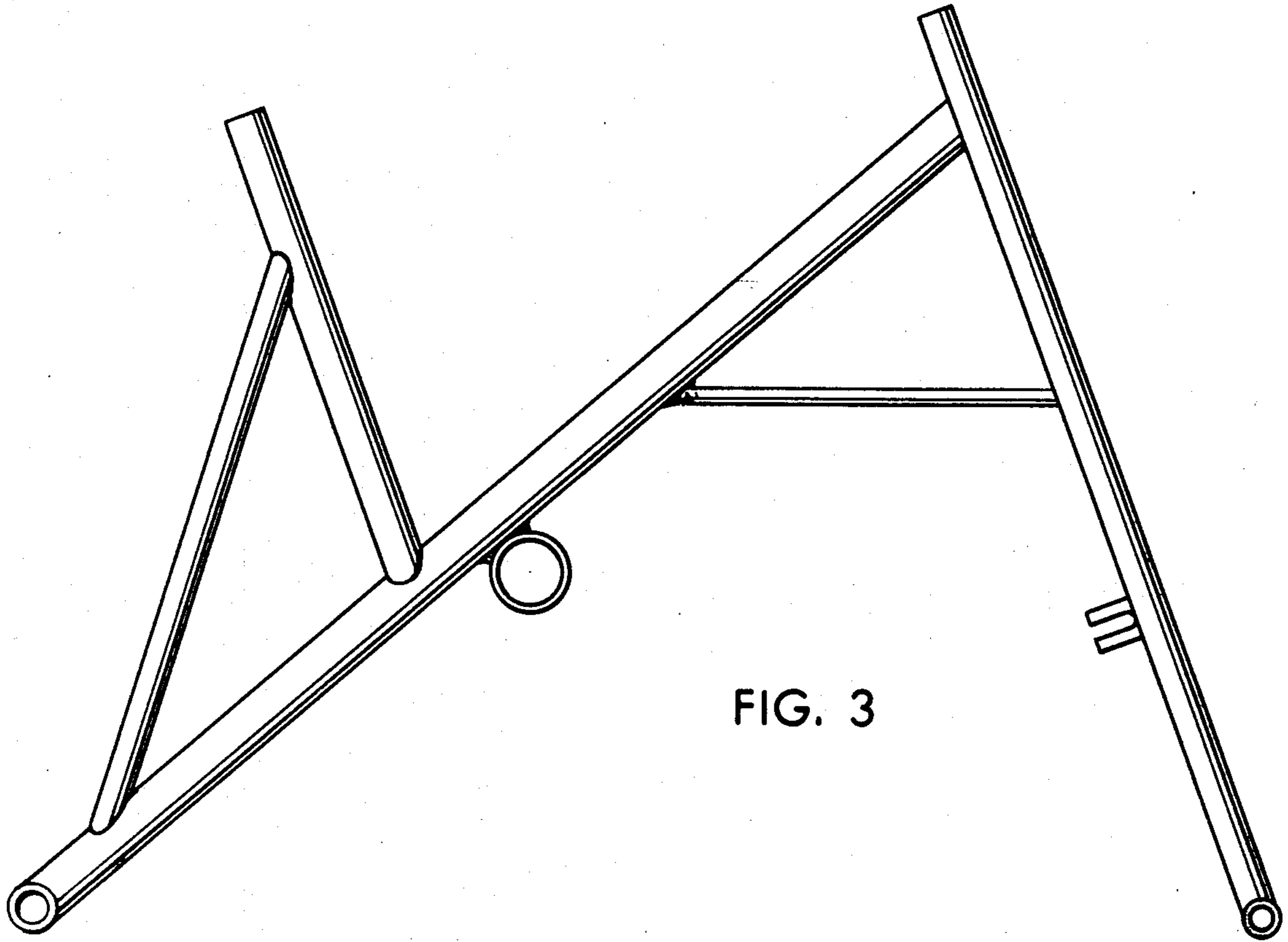


FIG. 3

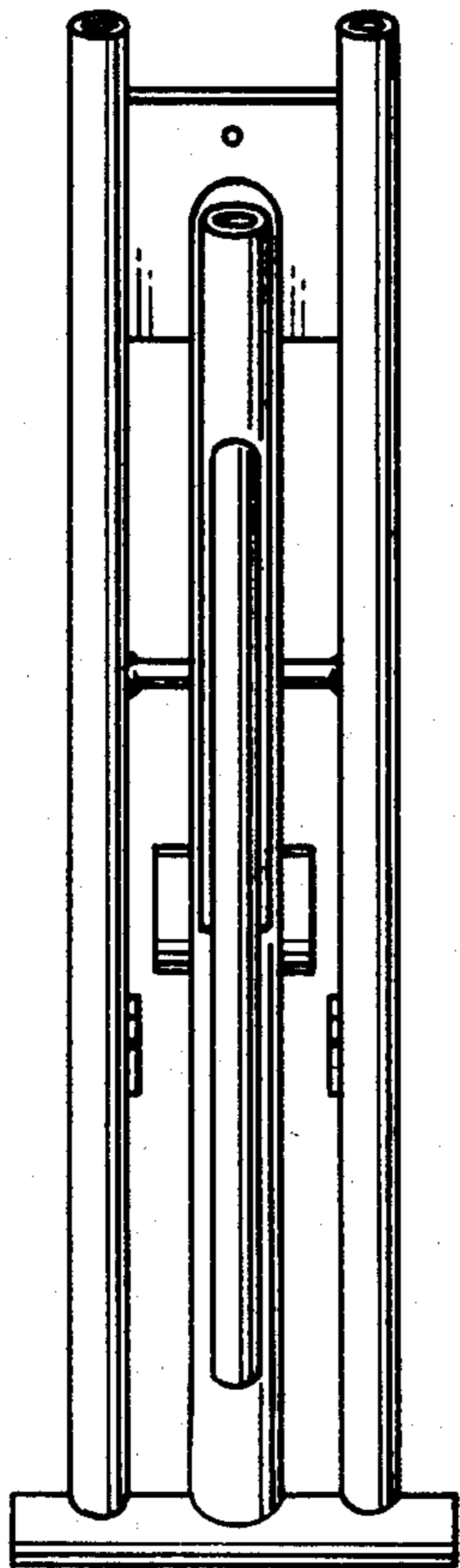


FIG. 4

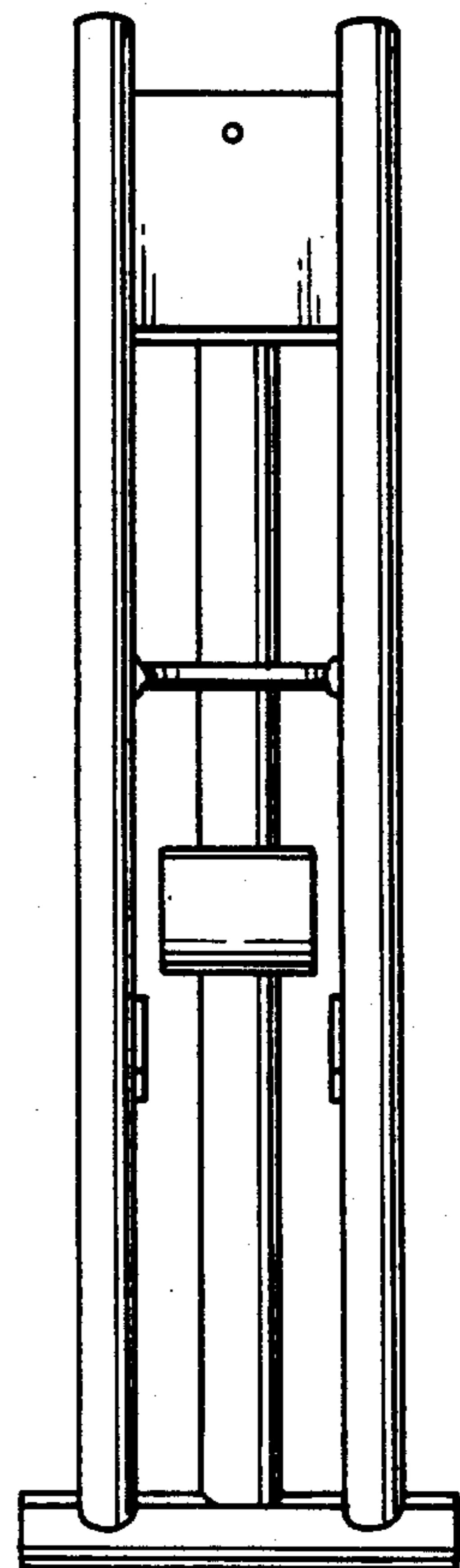


FIG. 5