

[54] REMOVABLE COVER FOR WINDSHIELD WIPER WELL ON VEHICLES

[76] Inventor: Chester R. Karpowicz, 229 Third Ave., Jersey City, N.J. 07302

[**] Term: 3½ Years

[21] Appl. No.: 812,003

[22] Filed: Jun. 30, 1977

[51] Int. Cl. D12-16

[52] U.S. Cl. D12/155

[58] Field of Search D12/155; 15/250.16, 15/250.17; 296/84 R; D25/74, 79; 160/90

[56] References Cited

U.S. PATENT DOCUMENTS

D. 232,716	9/1974	Shenk	D12/155
3,121,902	2/1964	Massoll	15/250.17
3,878,649	4/1975	Mennuto	160/90

OTHER PUBLICATIONS

Anchor Plastics Catalog, p. 27, Section No. 9HS-40, bottom of page.

Primary Examiner—James M. Gandy
Attorney, Agent, or Firm—Gloria K. Koenig

[57] CLAIM

The ornamental design for a removable cover for windshield wiper well on vehicles, substantially as shown.

DESCRIPTION

FIG. 1 is a perspective view of a removable cover for windshield wiper well on vehicles showing my new design; it being understood that the broken lines are for illustrative purposes only;

FIG. 2 is a greatly enlarged cross-sectional view thereof taken along line 2—2 in FIG. 3;

FIG. 3 is an enlarged top perspective view thereof; and FIG. 4 is an enlarged bottom perspective view thereof.

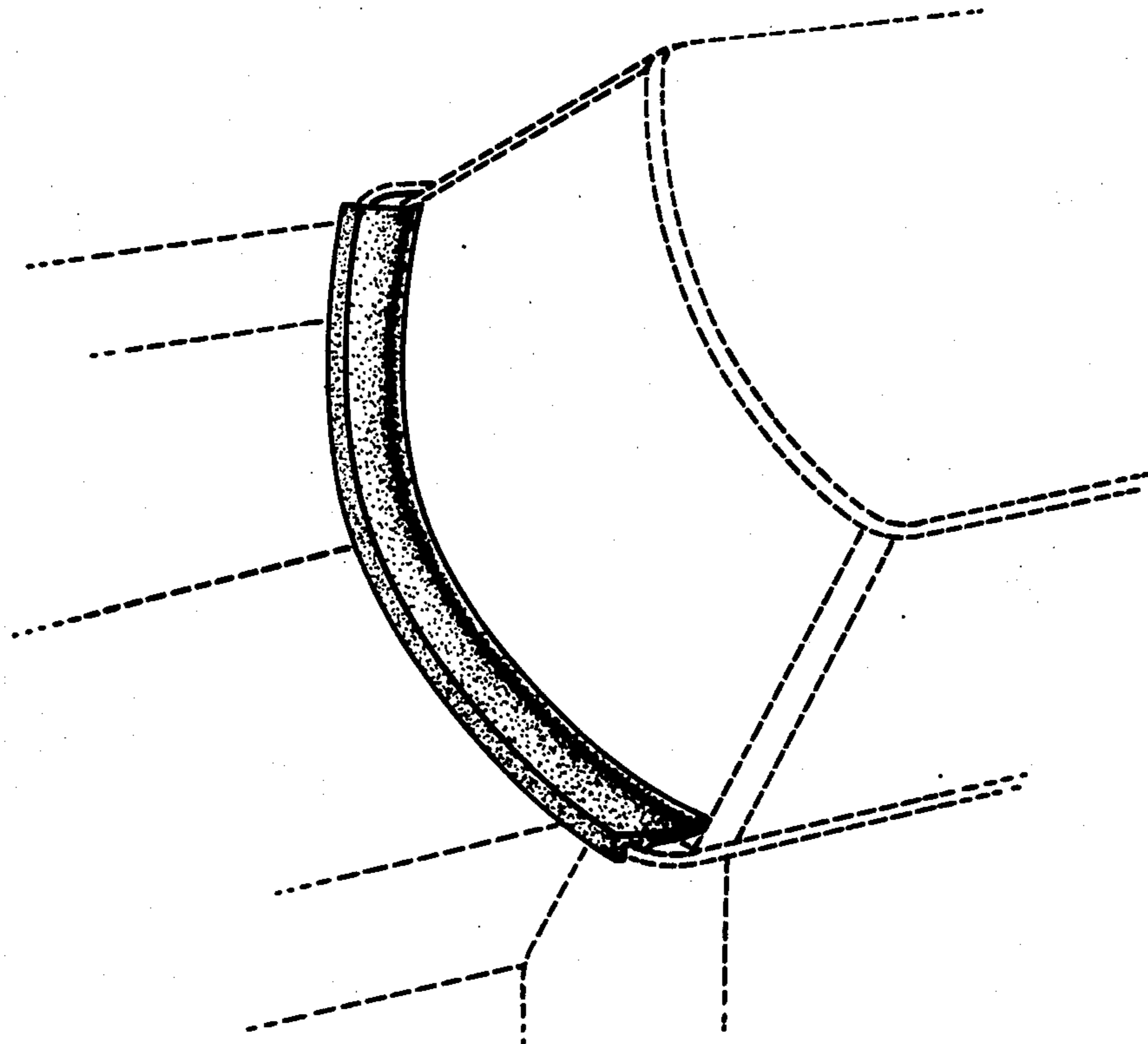


Fig. 1

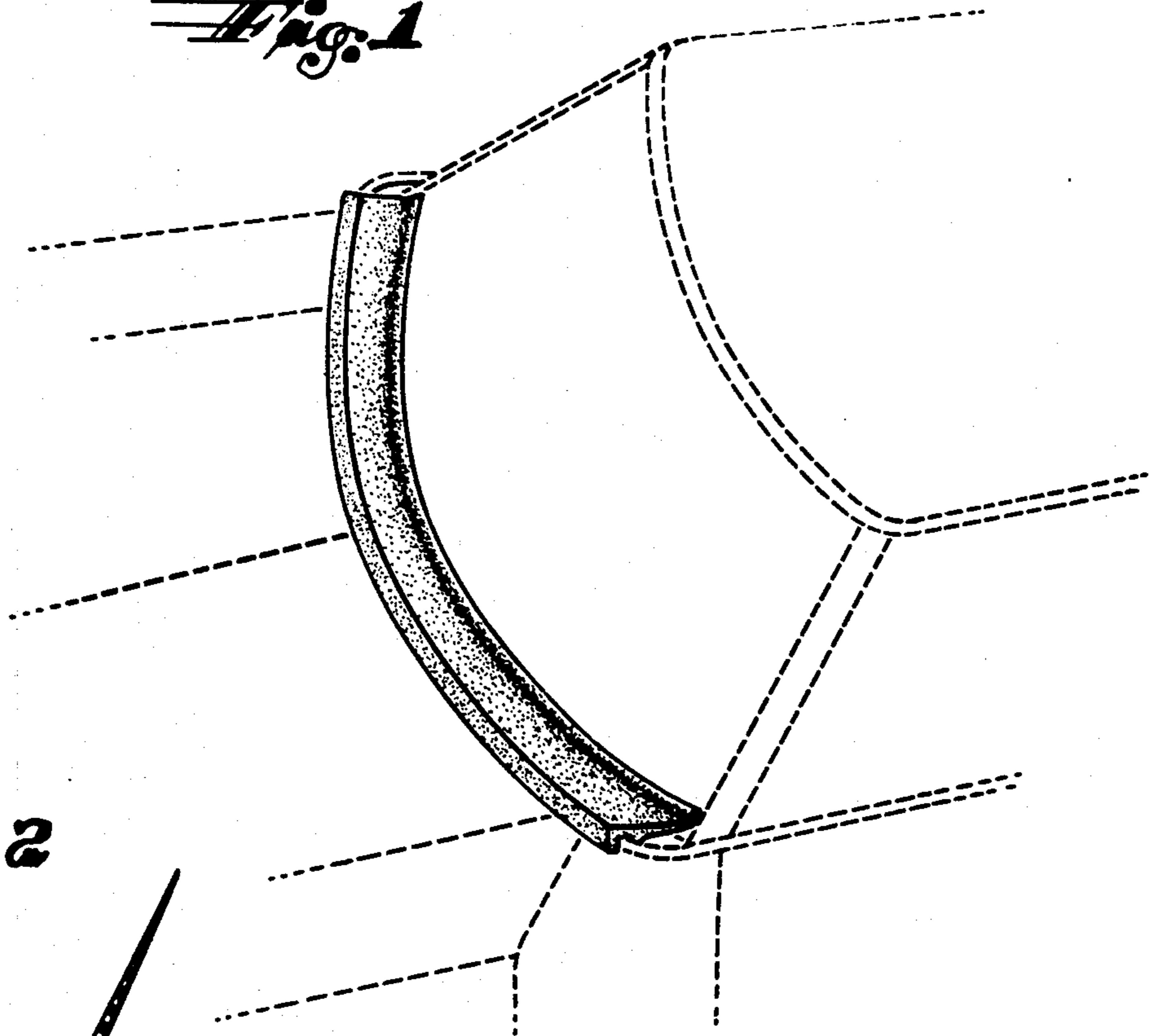


Fig. 2

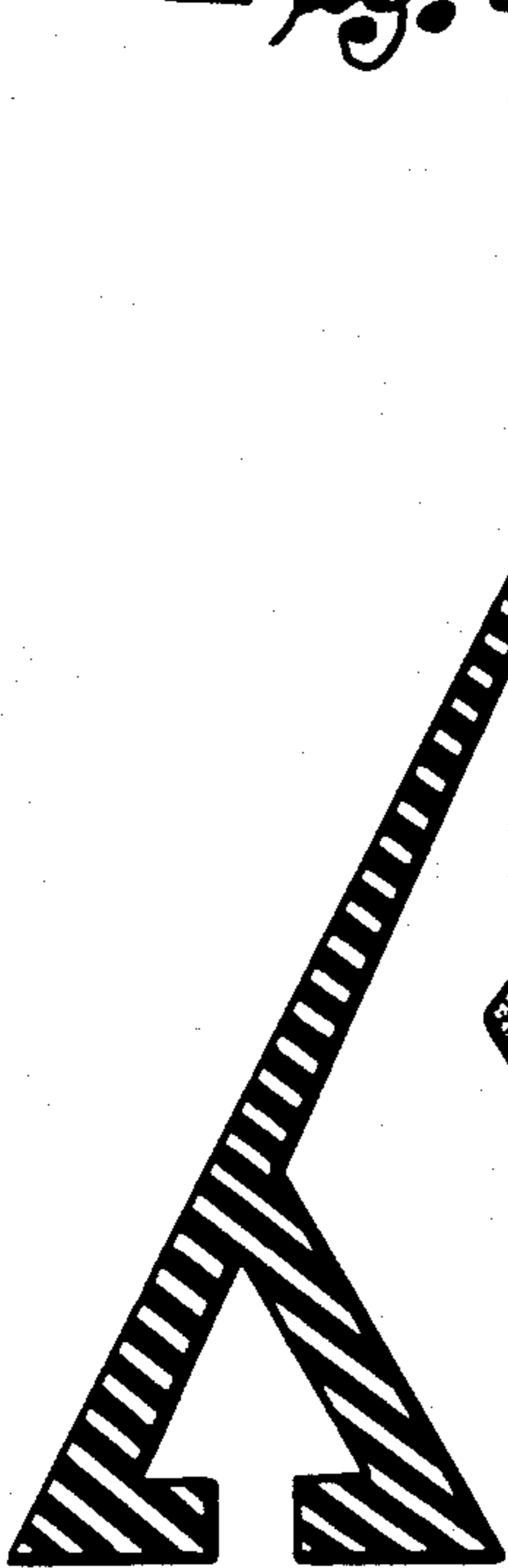


Fig. 3

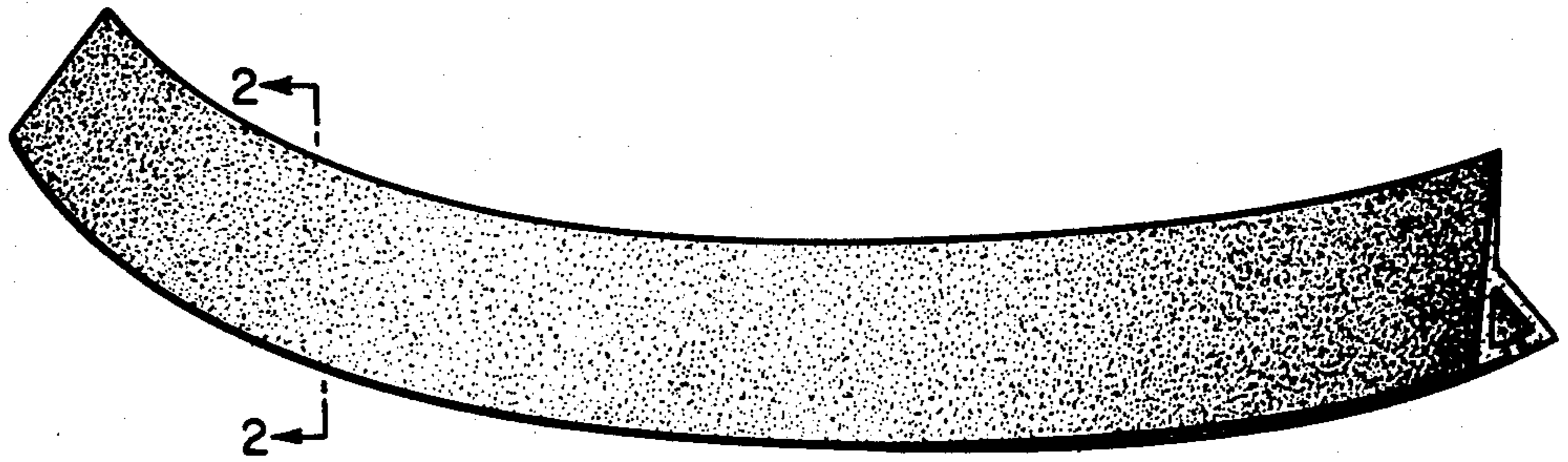


Fig. 4

