

[54] ROLLING FENCE GATE SUPPORTING MECHANISM

[76] Inventor: Leo J. Martini, 8930 Dearborn Ave., South Gate, Calif. 90280

[**] Term: 14 Years

[21] Appl. No.: 794,899

[22] Filed: May 9, 1977

[51] Int. Cl. D8-08; D8-09

[52] U.S. Cl. D8/373; D25/39; D25/50

[58] Field of Search 49/324, 326, 340, 346; 16/86 A, 86.2; D25/39, 50; D8/374, 377, 373; D12/53

[56] References Cited

U.S. PATENT DOCUMENTS

D. 14,889 3/1884 Moore D8/373

885,288	4/1908	Ping	16/86.2 X
1,342,227	6/1920	Raley	16/86.2
2,970,799	2/1961	Pinson	D25/39 X
3,148,912	9/1964	Curtis et al.	16/86.2 X

Primary Examiner—A. Hugo Word
Attorney, Agent, or Firm—Louis J. Knobbe

[57] CLAIM

The ornamental design for a rolling fence gate supporting mechanism, as shown and described.

DESCRIPTION

FIG. 1 is a top, front, right end perspective view of the supporting mechanism for a rolling fence;

FIG. 2 is a top, back, left end perspective view thereof; and

FIG. 3 is a bottom elevational view thereof.

The broken lines showing the gate and fence are for illustrative purposes only and form no part of the claimed design.

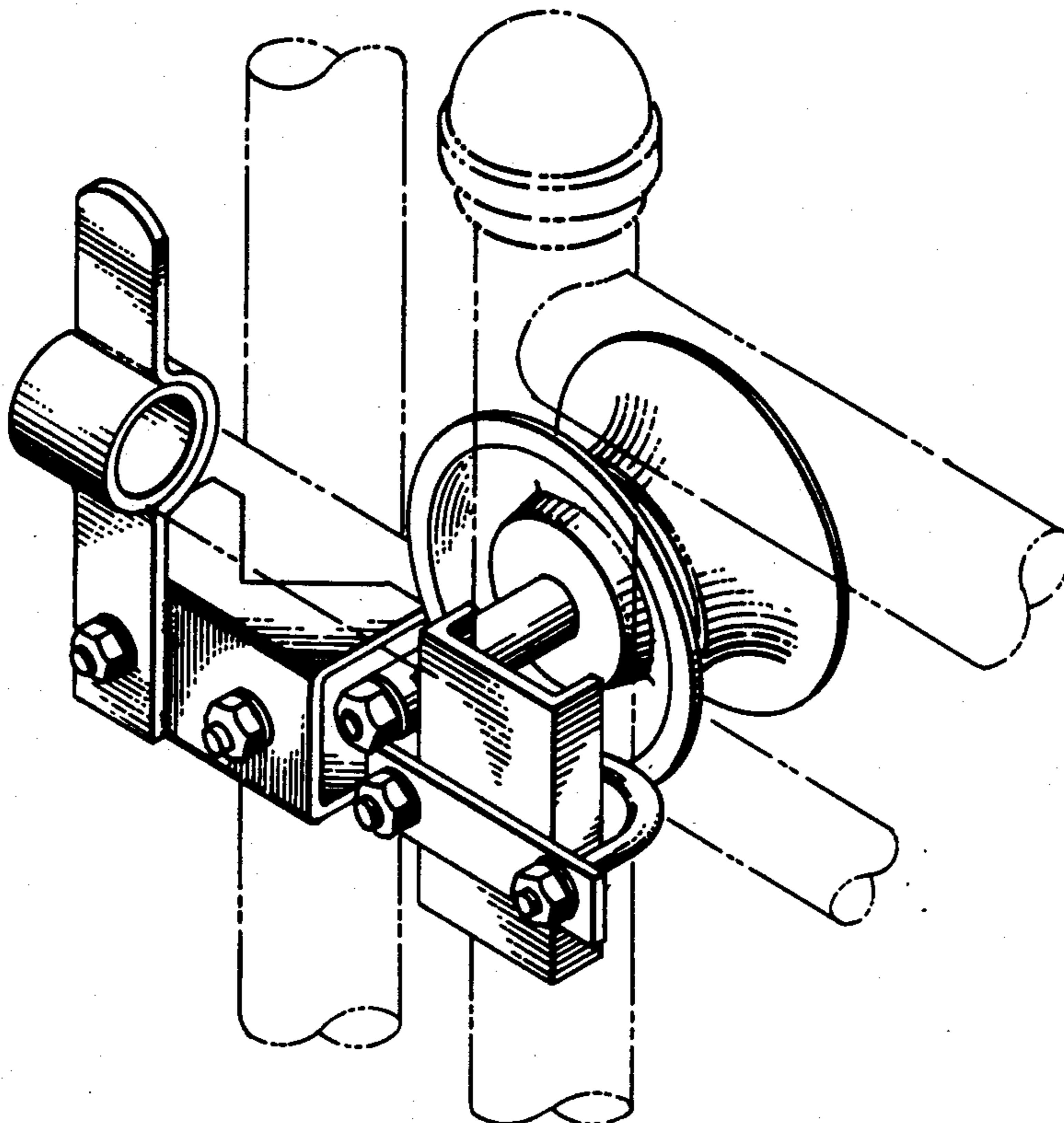


FIG. 1.

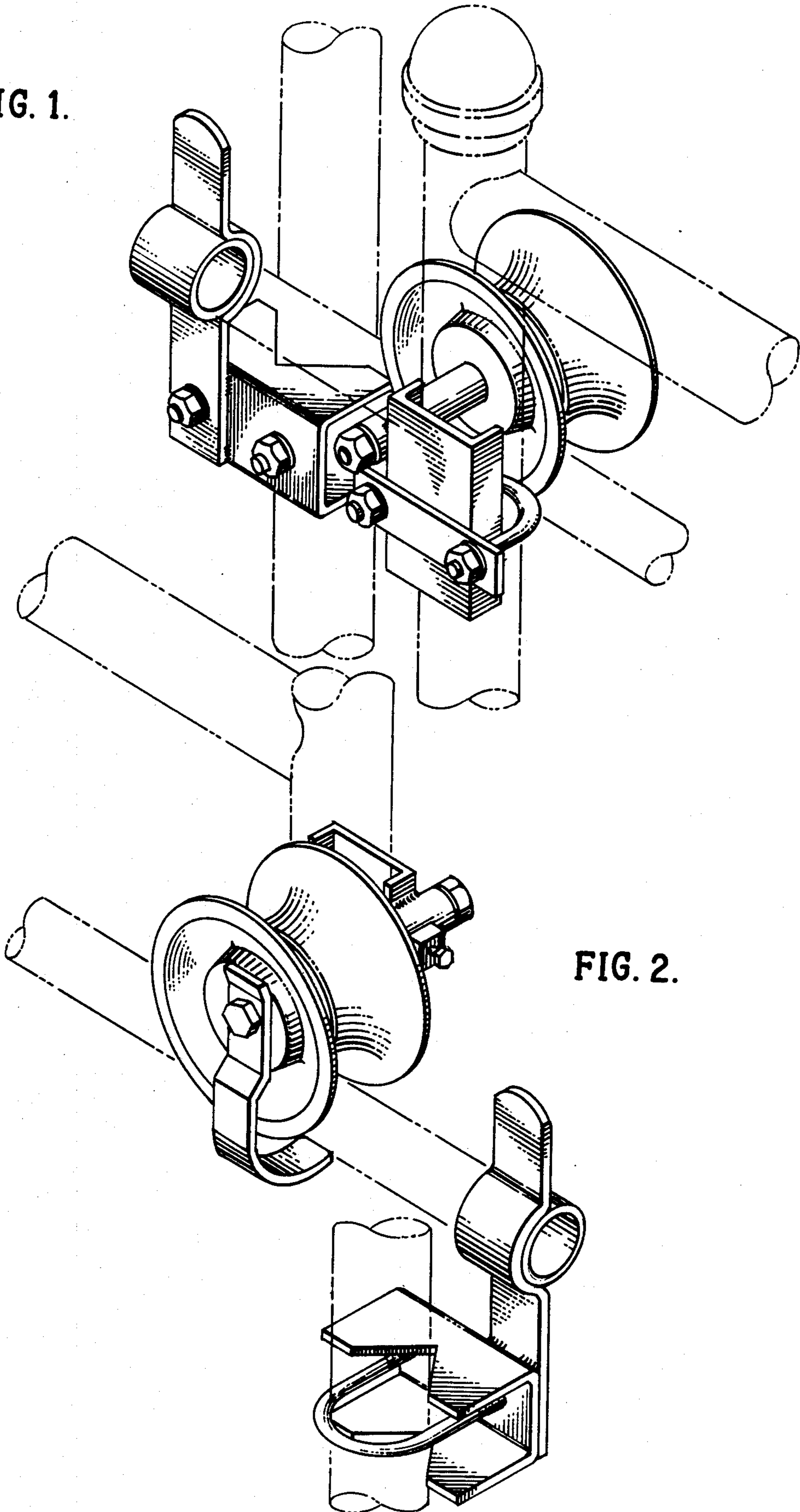


FIG. 2.

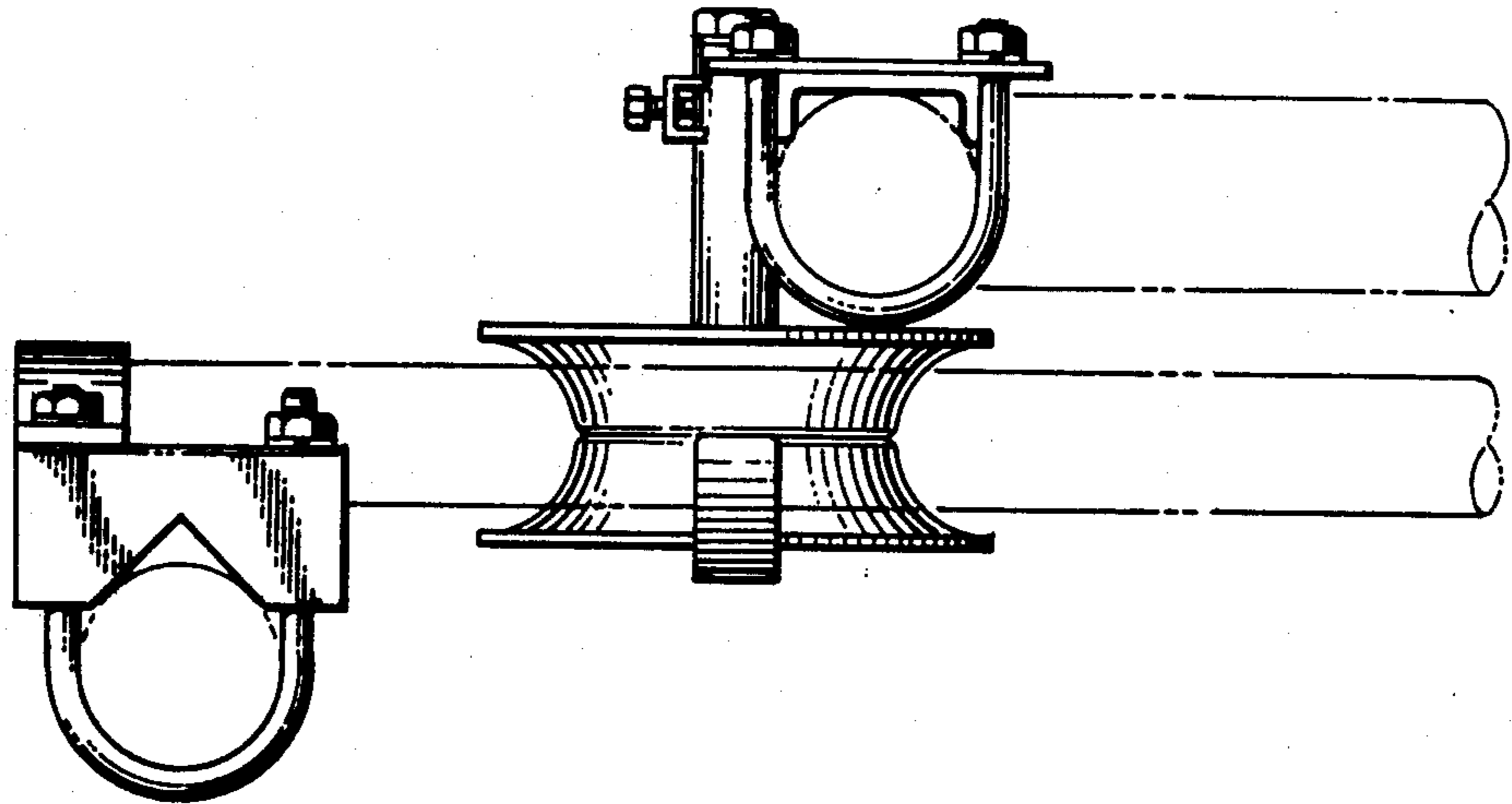


FIG. 3.