

[54] DRESSMAKER'S SCISSORS

[75] Inventor: Tora Hayashi, Seki, Japan

[73] Assignee: Hayashi Cutlery Co., Ltd., Seki, Japan

[*] Notice: The portion of the term of this patent subsequent to Mar. 15, 1991, has been disclaimed.

[**] Term: 14 Years

[21] Appl. No.: 773,432

[22] Filed: Feb. 28, 1977

[51] Int. Cl. D8-03

[52] U.S. Cl. D8/57

[58] Field of Search D8/57, 5, 3, 4, 52, D8/53, 55, 56, 58; 30/253, 254, 255, 256, 257, 259, 260, 341

[56] References Cited

U.S. PATENT DOCUMENTS

D. 227,338	6/1973	Backstrom	D8/57
D. 238,245	12/1975	Backstrom	D8/57
D. 243,651	3/1977	Hayashi	D8/57
606,472	6/1898	Ogden	D8/57 X

1,317,041	9/1919	Scott	D8/57 X
3,913,422	10/1975	Weber	D8/57 X

FOREIGN PATENT DOCUMENTS

2249577	4/1974	Fed. Rep. of Germany	30/340
---------	--------	----------------------	-------	--------

OTHER PUBLICATIONS

Sew Business, Oct., 1975, p. 7, Fiskars' Scissors at bottom middle, both shown.

Sew Business, Apr. 1975, p. 25, "Serra-Lite" by Marks, Scissors shown.

Primary Examiner—Winifred E. Herrmann

Attorney, Agent, or Firm—Martin Majestic

[57] CLAIM

The ornamental design for dressmaker's scissors, substantially as shown.

DESCRIPTION

FIG. 1 is a front elevational view of dressmaker's scissors showing my new design;

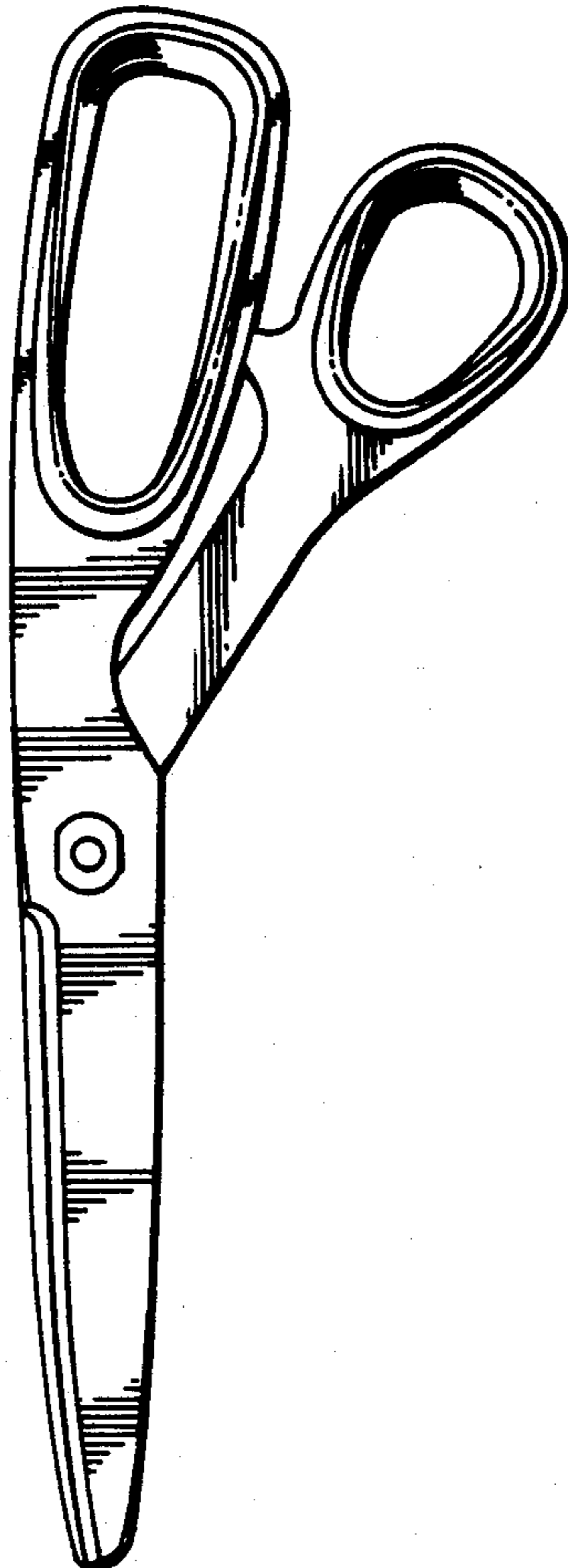
FIG. 2 is a side elevational view thereof;

FIG. 3 is a side elevational view of the other side thereof;

FIG. 4 is a rear elevational view;

FIG. 5 is a top plan view; and,

FIG. 6 is a bottom plan view.



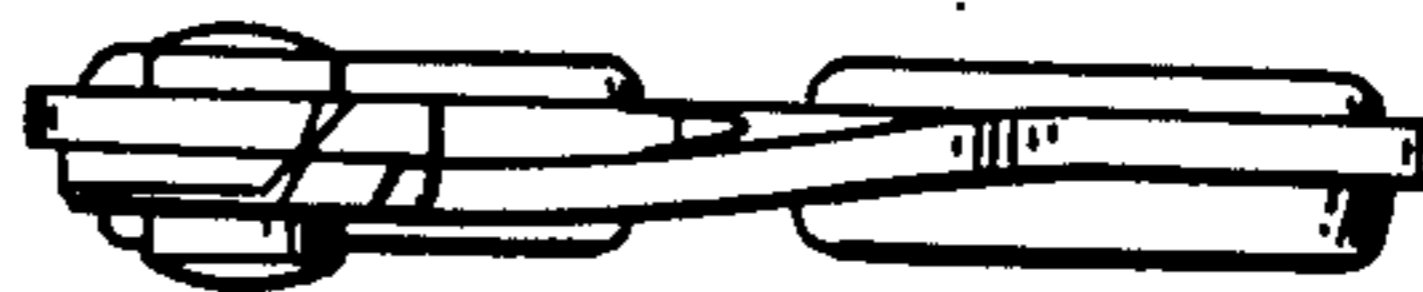


FIG. 5.

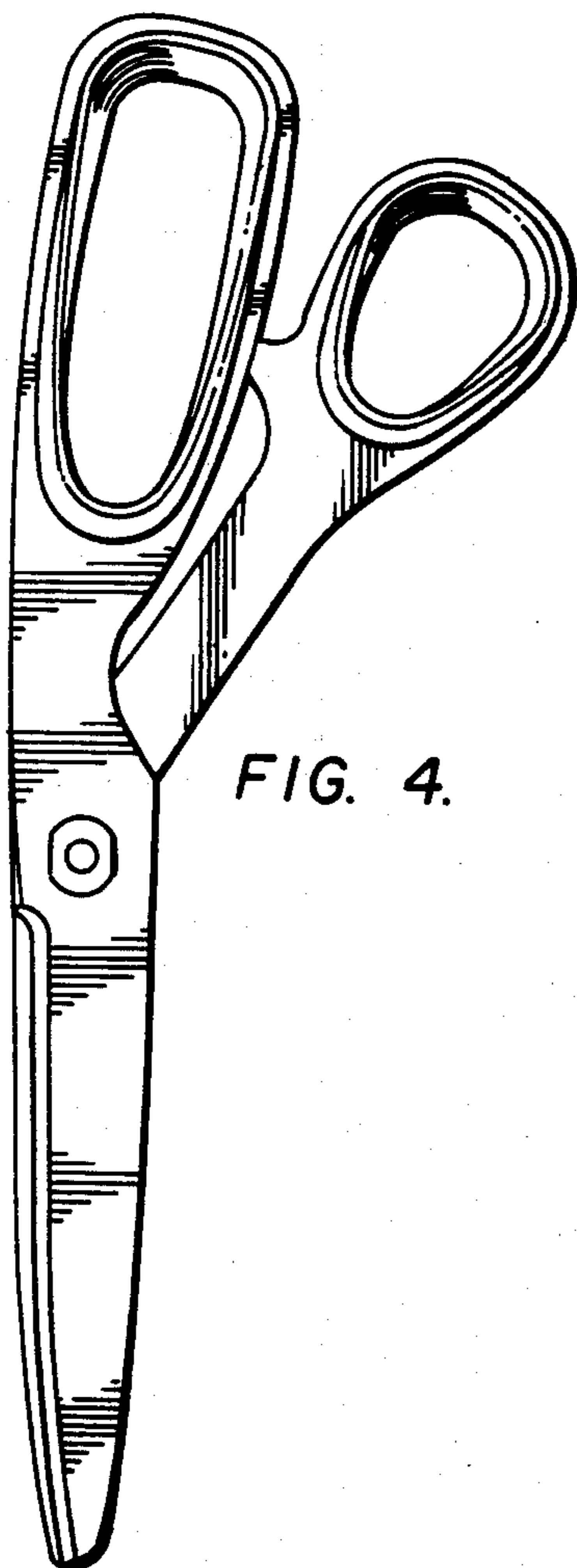


FIG. 4.

FIG. 3.

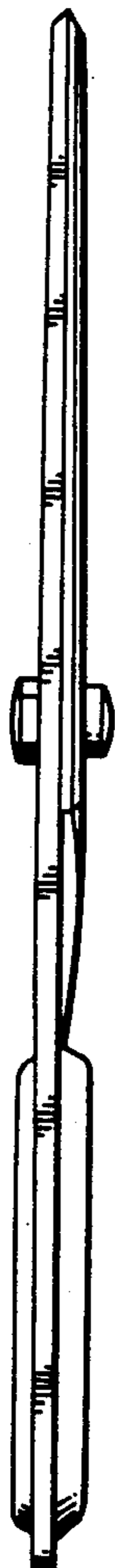


FIG. 2.



FIG. 1.

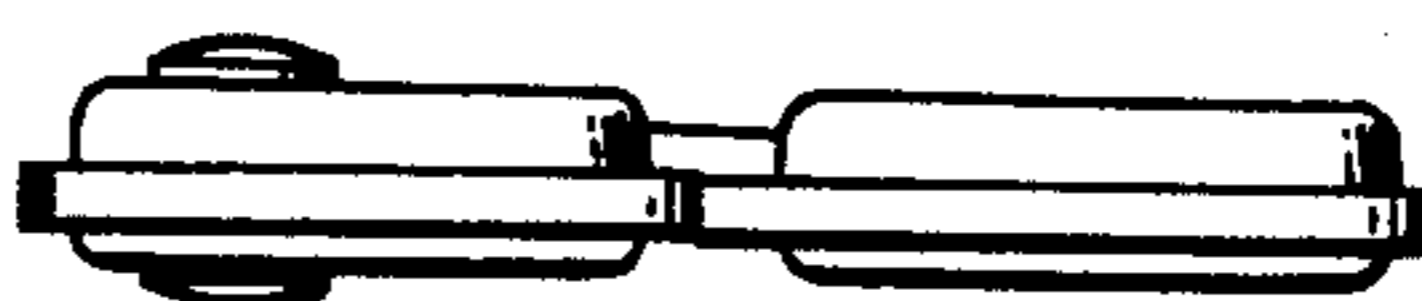


FIG. 6.