

[54] KARATE LEG PROTECTOR

[75] Inventor: Pu G. Gwon, Florissant, Mo.

[73] Assignee: Pro-Tect, Inc., St. Louis, Mo.

[**] Term: 14 Years

[21] Appl. No.: 611,302

[22] Filed: Sep. 8, 1975

[51] Int. Cl. D2-02

[52] U.S. Cl. D2/27; D2/267

[58] Field of Search D2/27, 225, 264, 267, D2/271, 309, 330; 2/2, 22, 23, 24, 2.5, 2 R, 2 A; D83/1 J, 1 E

[56] References Cited

U.S. PATENT DOCUMENTS

D. 84,034	4/1931	Hansen	D2/267
D. 164,595	1/1951	Owen et al.	D2/267
D. 235,927	7/1975	Moore	D83/1 J
3,232,289	2/1966	Zimmerman	D83/1 J

FOREIGN PATENT DOCUMENTS

56689	7/1944	Netherlands	2/23
16126 of	1915	United Kingdom	2/22

Primary Examiner—Joel Stearman
Assistant Examiner—J. Corrigan
Attorney, Agent, or Firm—Lawrence H. Cohn

[57] CLAIM

The ornamental design for karate leg protector, as shown and described.

DESCRIPTION

FIG. 1 is a top plan view of a karate leg protector showing my new design with the straps which end with hook fastener strips shown folded under and unattached to the fastener mating material, which is indicated by means of stippling;

FIG. 2 is a bottom plan view thereof;

FIG. 3 is a side elevational view with the straps shown as unattached and depending and as broken off for convenience of illustration; and

FIG. 4 is a perspective view of the protector shown as it would appear on the wearer.

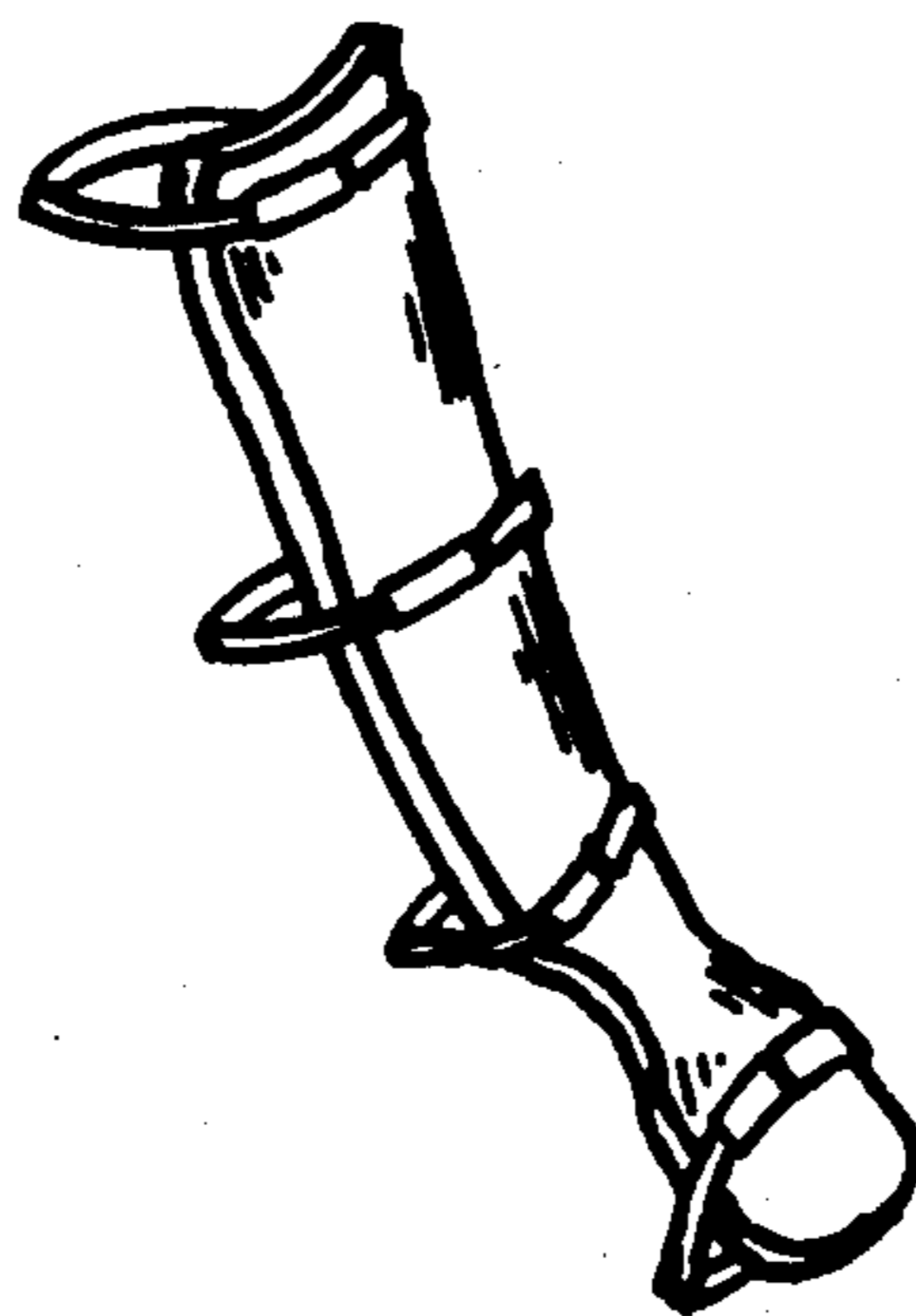


FIG. 1.

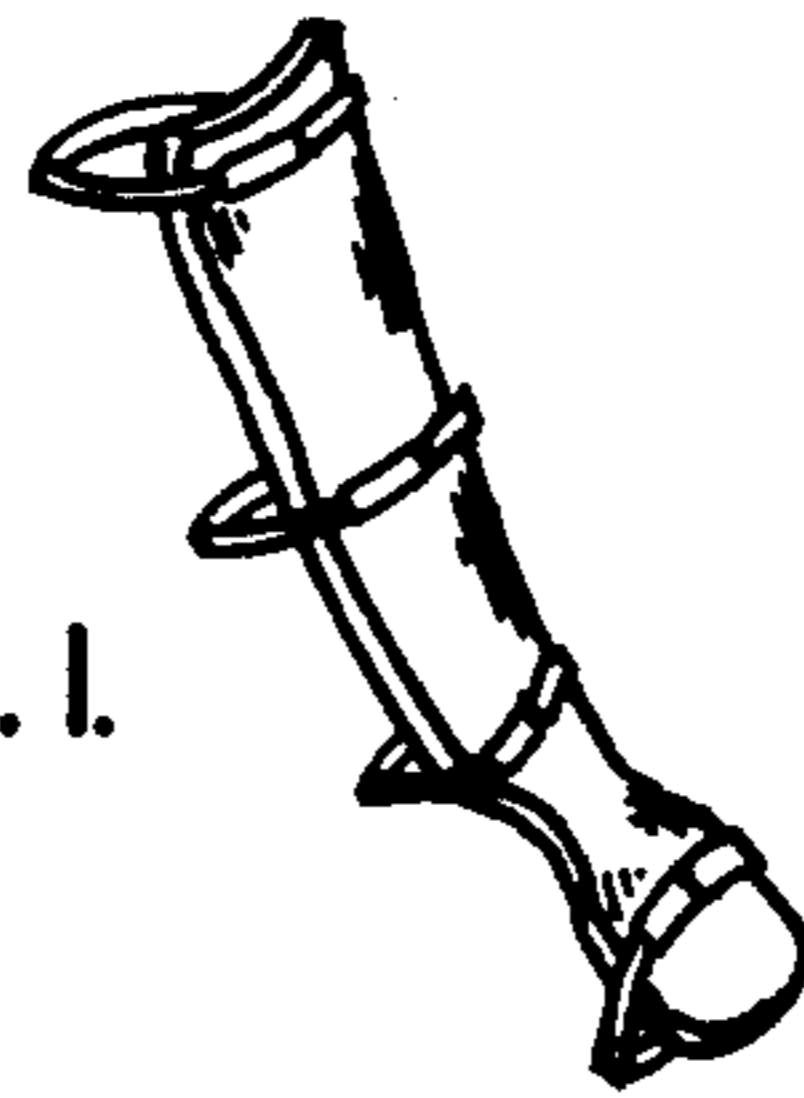


FIG. 2.

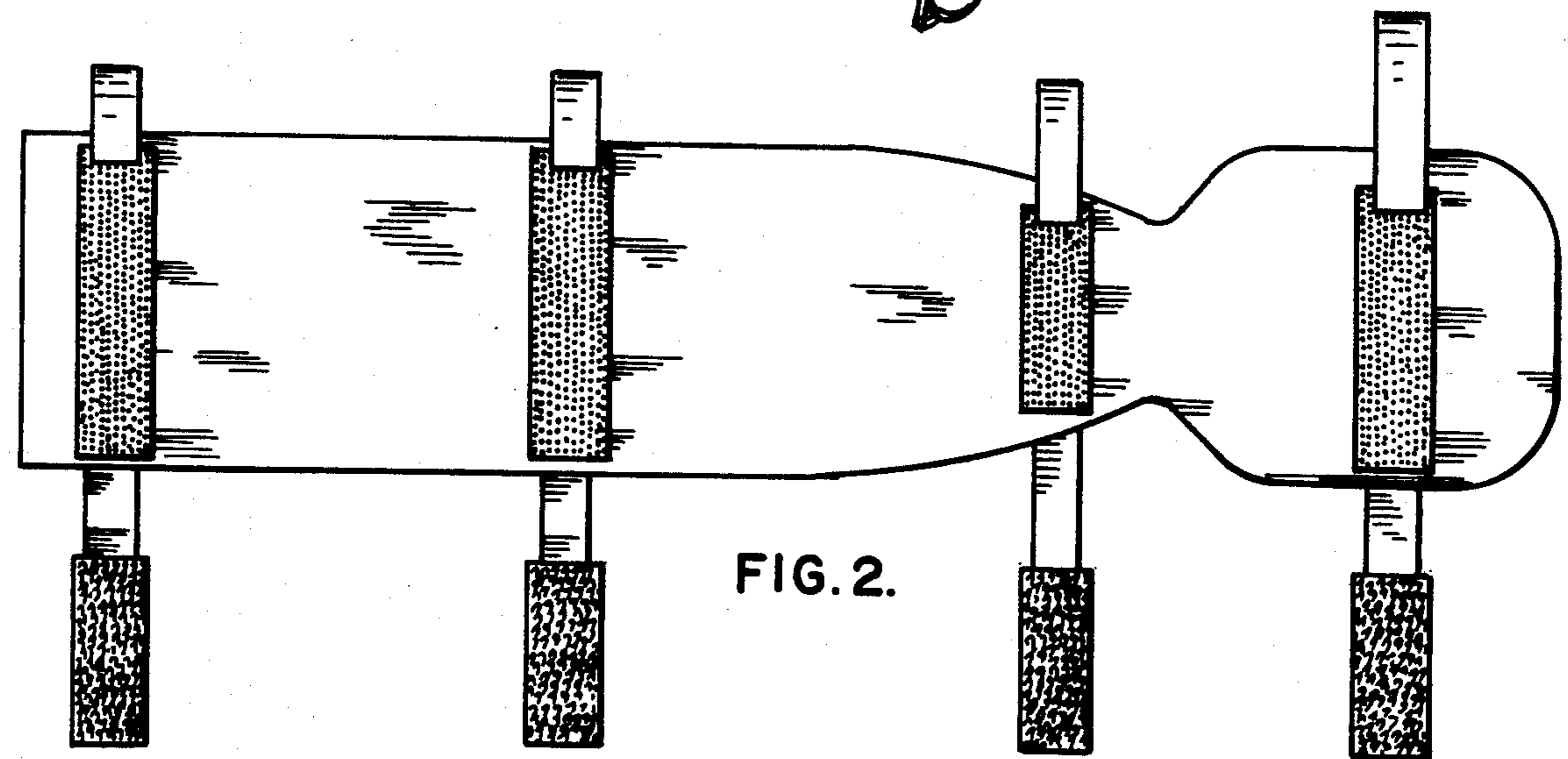


FIG. 3.

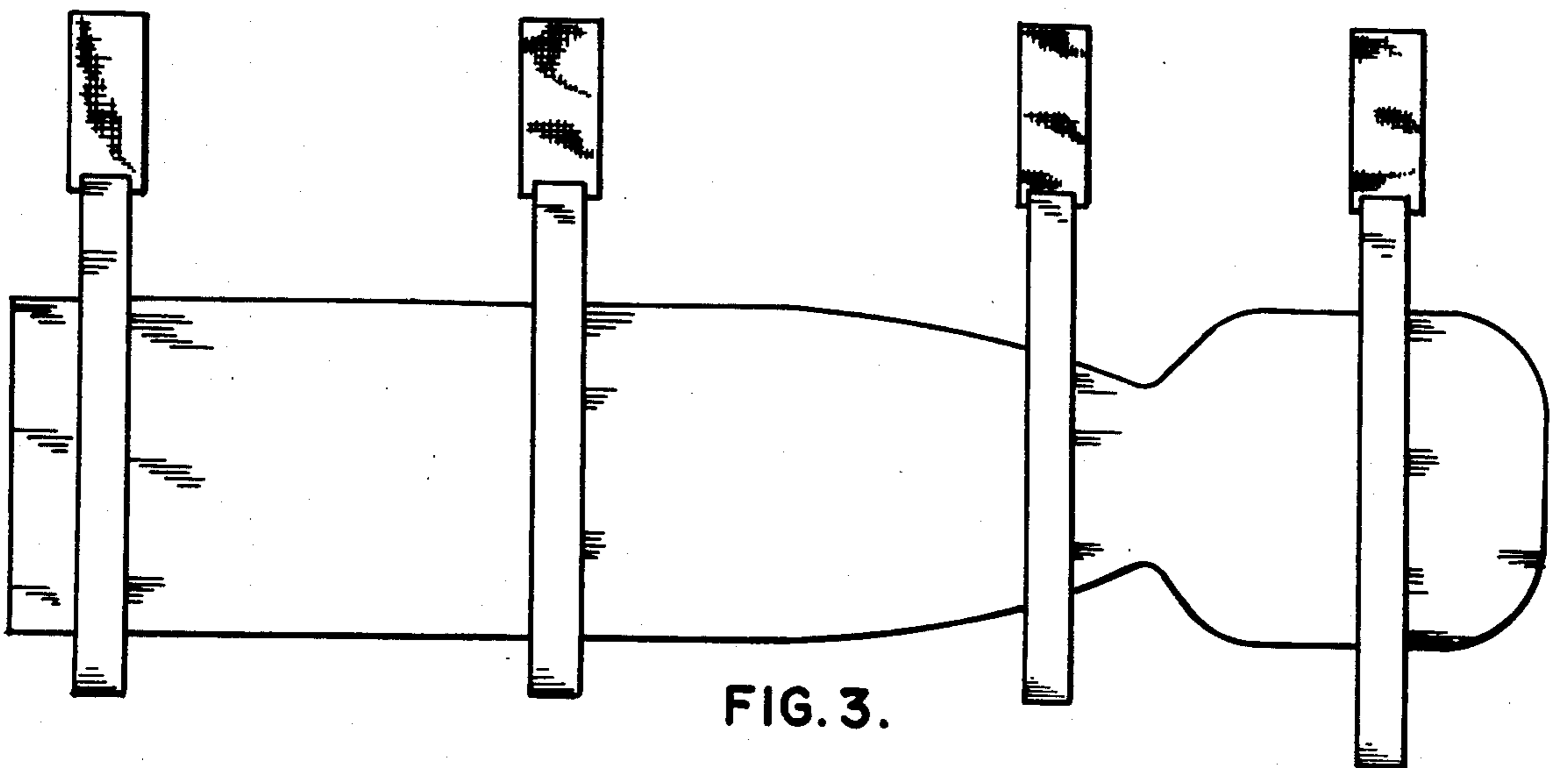
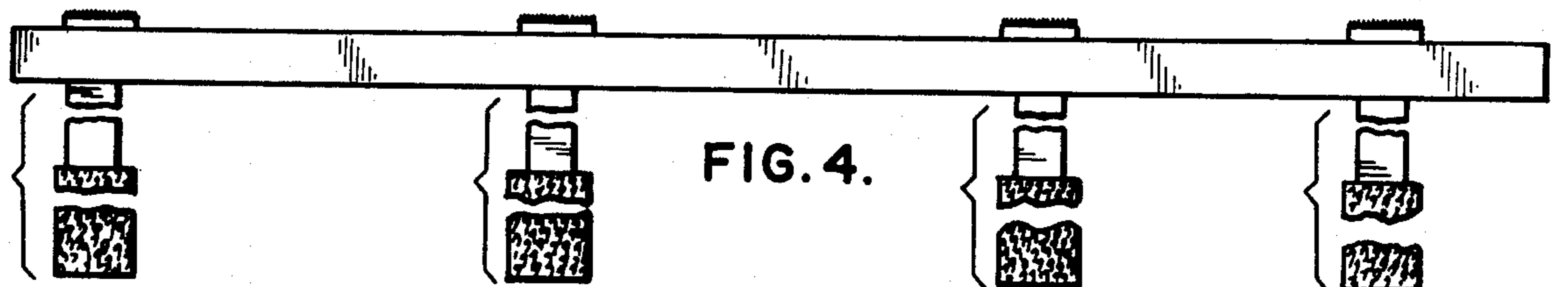


FIG. 4.



UNITED STATES PATENT AND TRADEMARK OFFICE
CERTIFICATE OF CORRECTION

PATENT NO. : Des. No. 251,696
DATED : May 1, 1979
INVENTOR(S) : Pu G. Gwon

It is certified that error appears in the above-identified patent and that said Letters Patent are hereby corrected as shown below:

In the drawings:

Renumber "FIG. 1" as --FIG. 4-- , and

Renumber "FIGS. 2-4" consecutively as

--FIGS. 1-3--.

Signed and Sealed this

Tenth Day of July 1979

[SEAL]

Attest:

Attesting Officer

LUTRELLE F. PARKER

Acting Commissioner of Patents and Trademarks