

[54] PRINTING MACHINE

[75] Inventors: Etsuo Hiraishi, Hiroshima; Masakazu Sakamoto; Tetsuyuki Doi, both of Fukuyama, all of Japan

[73] Assignee: Ryobi Ltd., Fuchu, Japan

[**] Term: 14 Years

[21] Appl. No.: 766,846

[22] Filed: Feb. 8, 1977

[30] Foreign Application Priority Data

Aug. 10, 1976 [JP] Japan 51-31545

[51] Int. Cl. D18-02

[52] U.S. Cl. D18/13

[58] Field of Search D64/10.1, 11 R, DIG. 1; D14/50; D16/28-32; 101/1, 2, 130, 136, 132.5, 141, 147, 148

[56] References Cited

U.S. PATENT DOCUMENTS

D. 247,521 3/1978 Sakamoto et al. D64/11 R

Primary Examiner—Louis S. Zarfes
Attorney, Agent, or Firm—Richard C. Sughrue

[57] CLAIM

The ornamental design for a printing machine, as shown and described.

DESCRIPTION

FIG. 1 is a front elevational view of a printing machine showing our new design; FIG. 2 is a right side elevational view; FIG. 3 is a rear elevational view; FIG. 4 is a left side elevational view; FIG. 5 is a top plan view; and FIG. 6 is a front and right side perspective view with the front tray lowered.

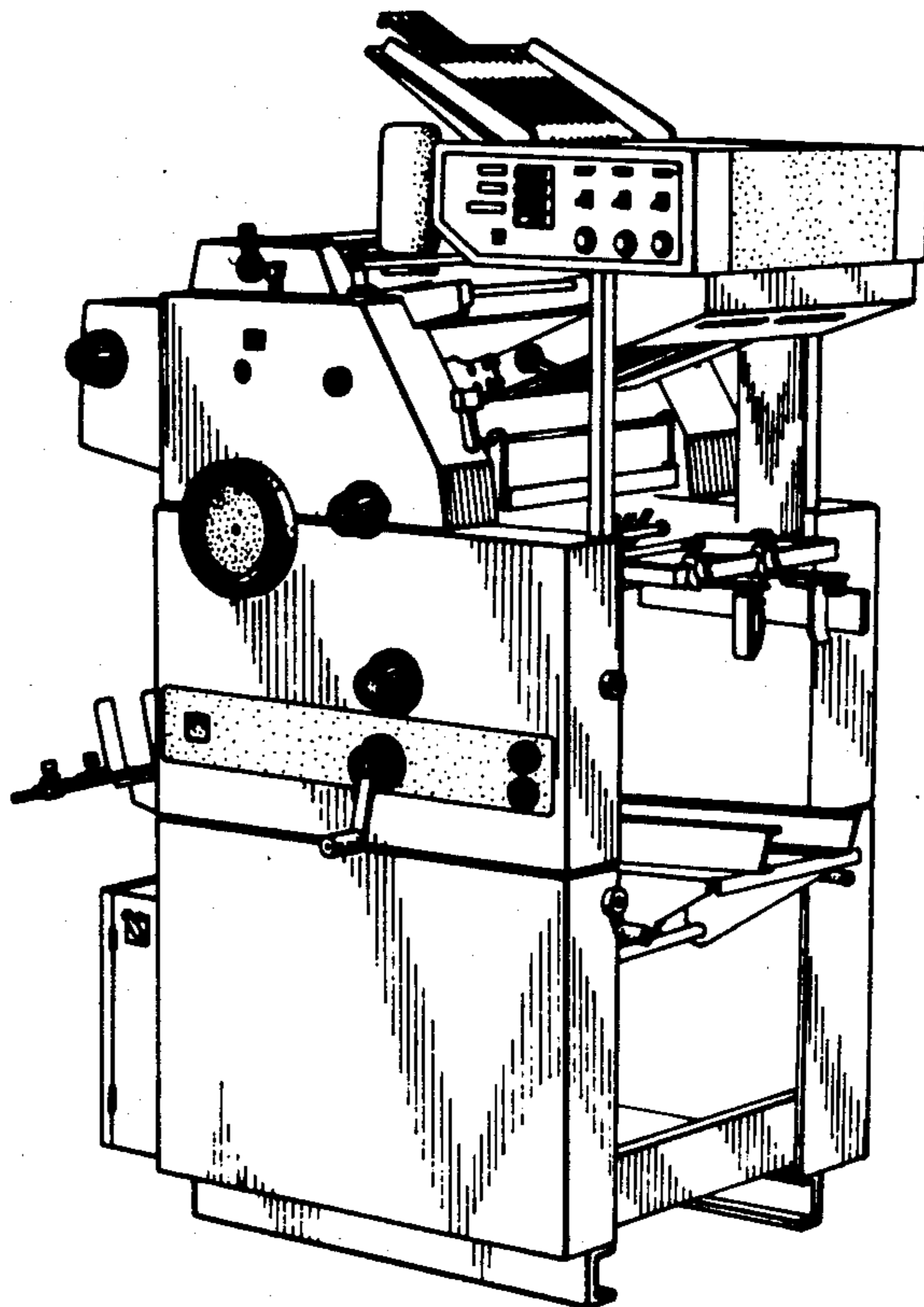


FIG. 2

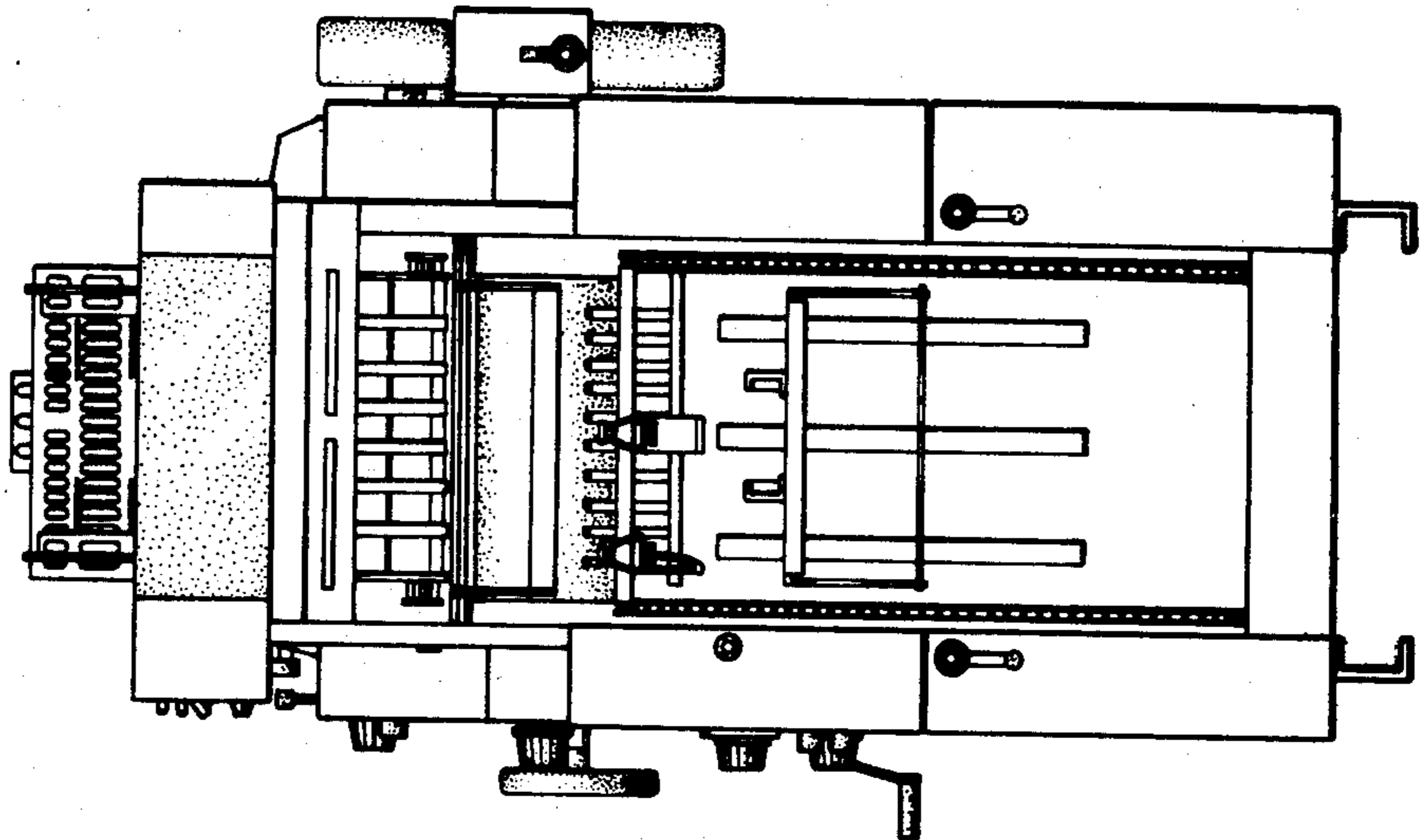


FIG. 1

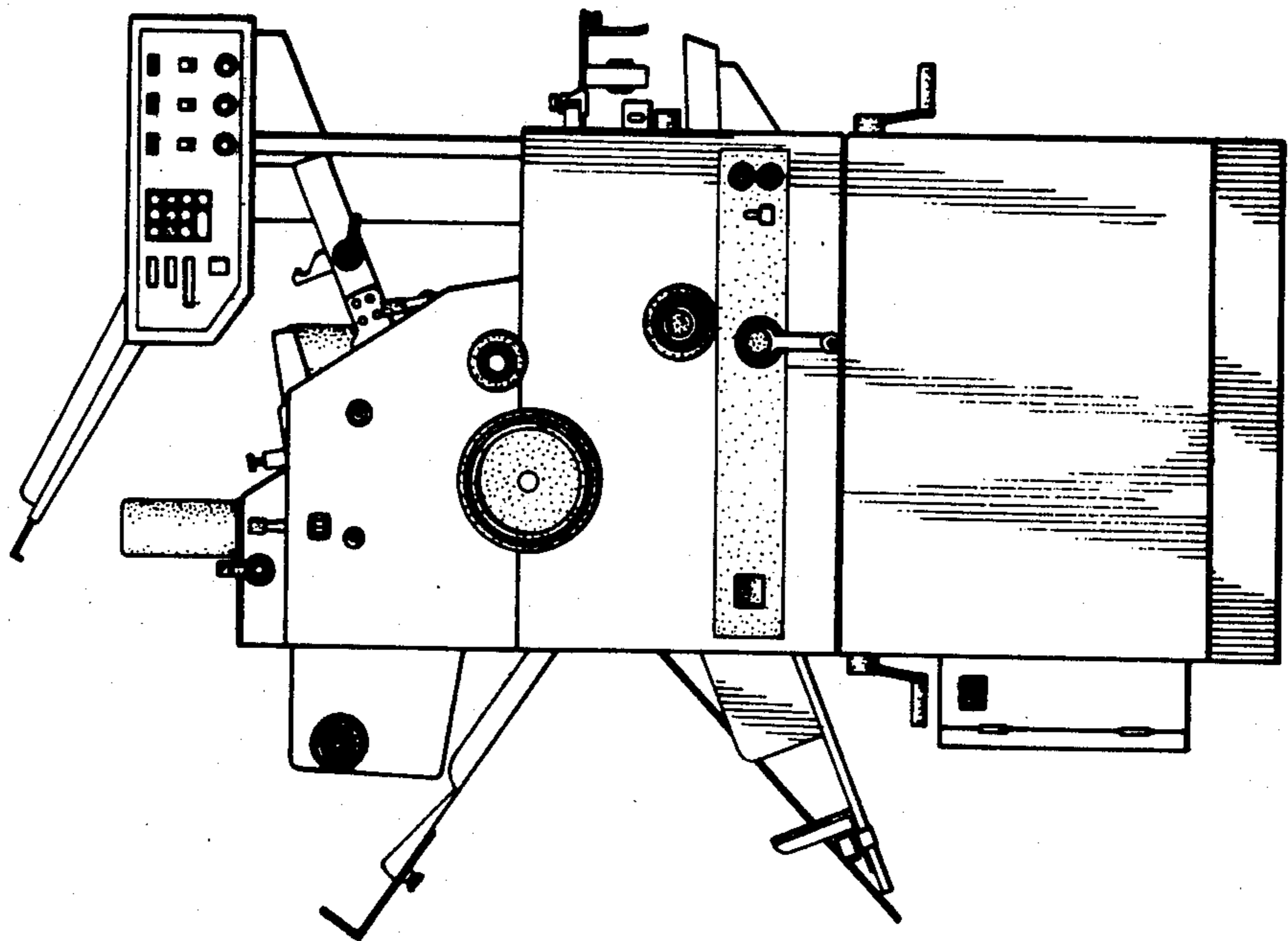


FIG. 4

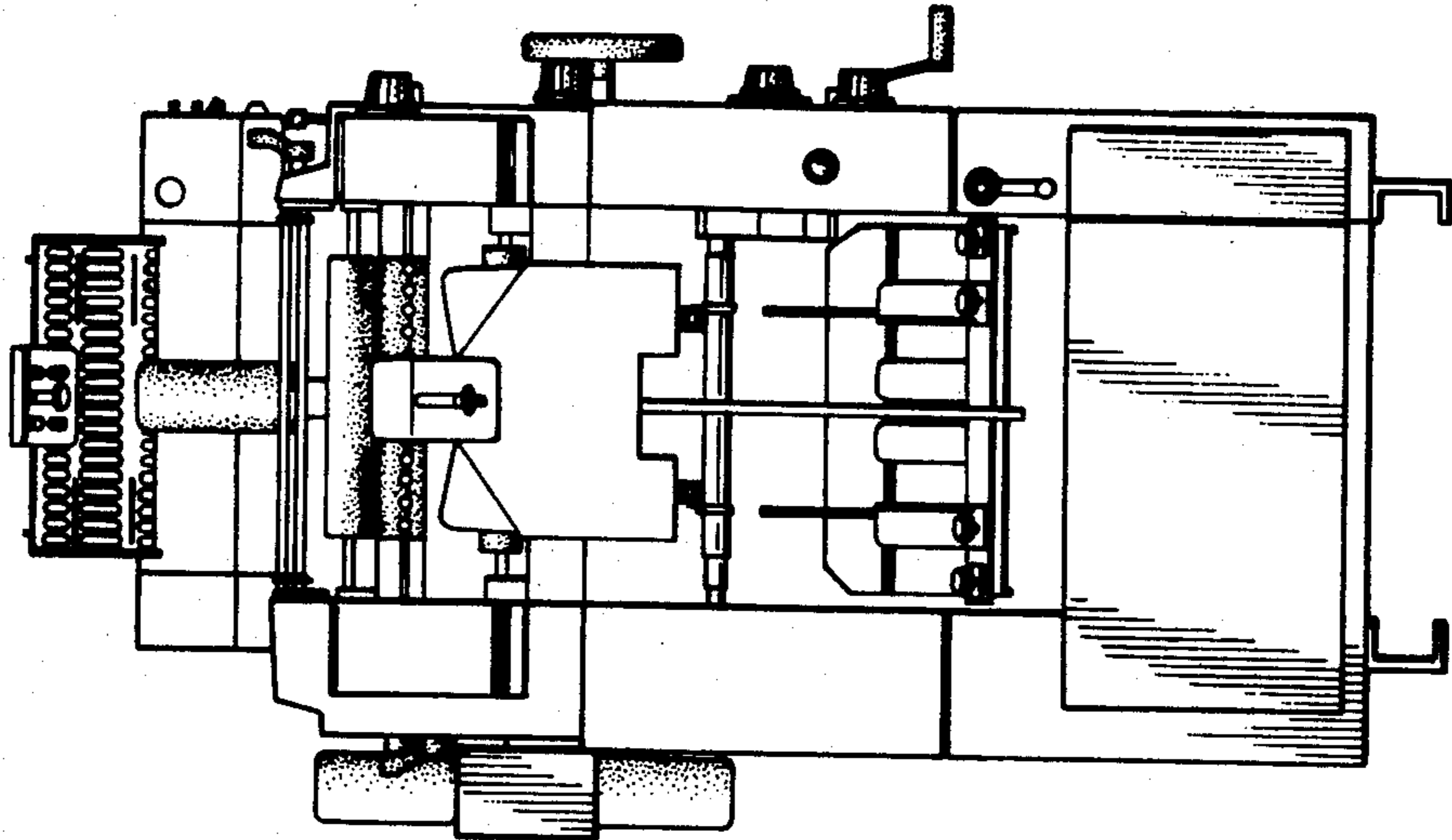


FIG. 3

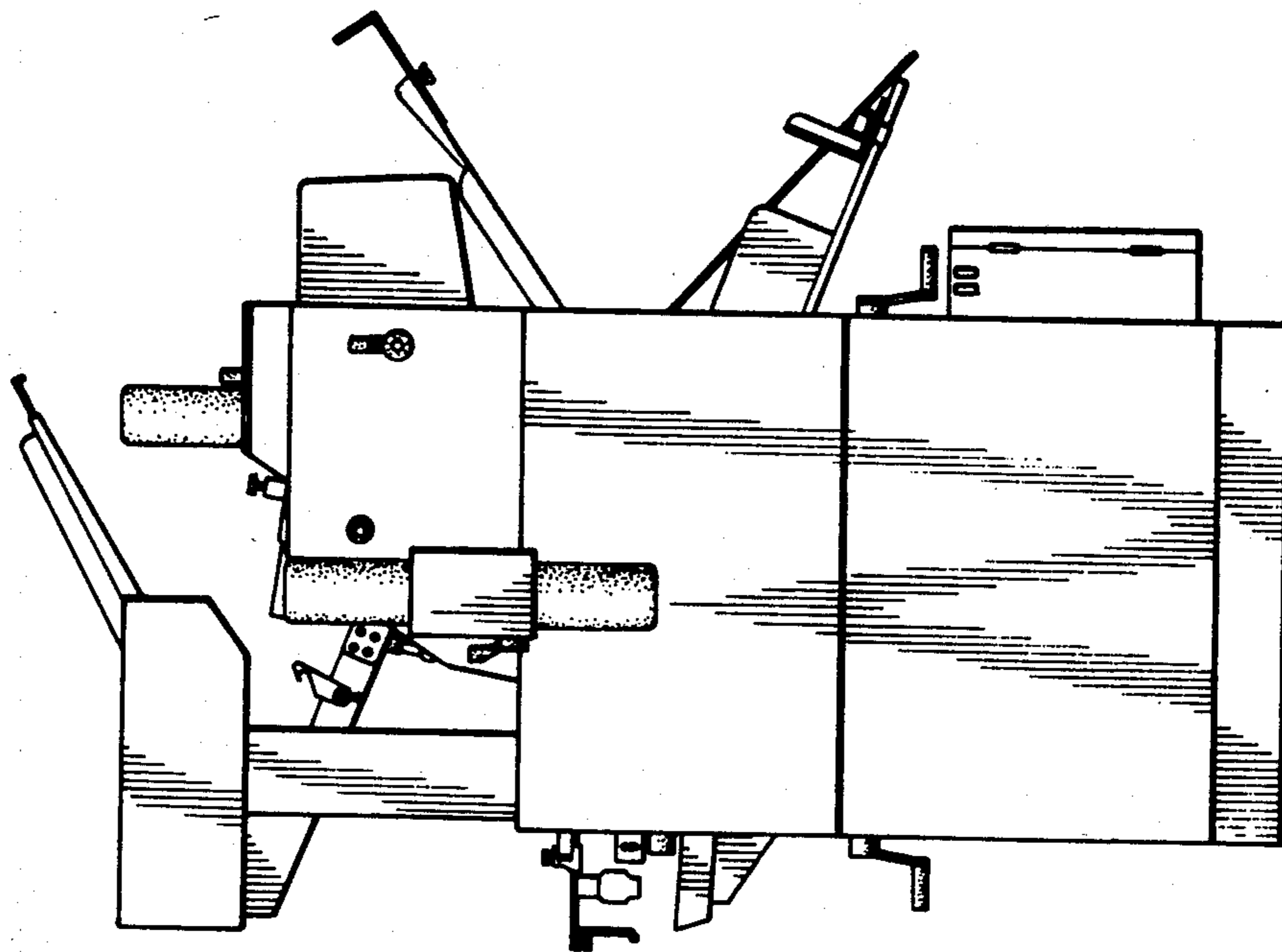


FIG. 5

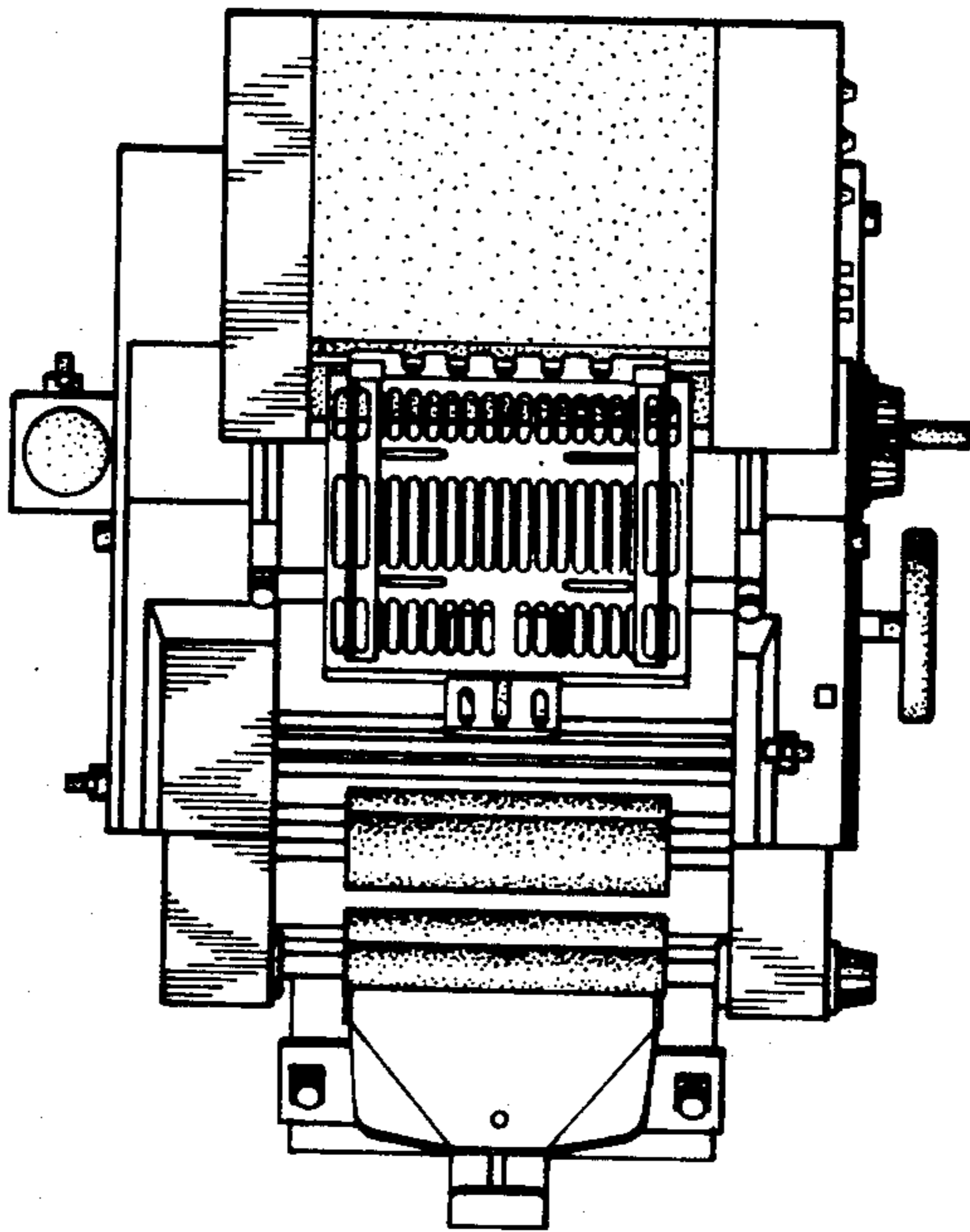


FIG. 6

