

[54] LAMP

[75] Inventor: Masayuki Kurokawa, Tokyo, Japan

[73] Assignee: Yamagiwa Electric Co. Ltd., Tokyo, Japan

[**] Term: 14 Years

[21] Appl. No.: 825,813

[22] Filed: Aug. 18, 1977

[51] Int. Cl. D26-05

[52] U.S. Cl. D48/20 F

[58] Field of Search D38/20 R, 20 A, 20 F, D38/20 G; 362/410, 411, 412, 413, 414

[56] References Cited

U.S. PATENT DOCUMENTS

D. 237,002 9/1975 Gandini D48/20 A
D. 238,959 2/1976 Kurokawa D48/20 F

OTHER PUBLICATIONS

Home Furnishings, 7-1953, p. 50 - Bridge Lamp.

Primary Examiner—Susan J. Lucas

Attorney, Agent, or Firm—William Anthony Drucker

[57] CLAIM

The ornamental design for a lamp, as shown and described.

DESCRIPTION

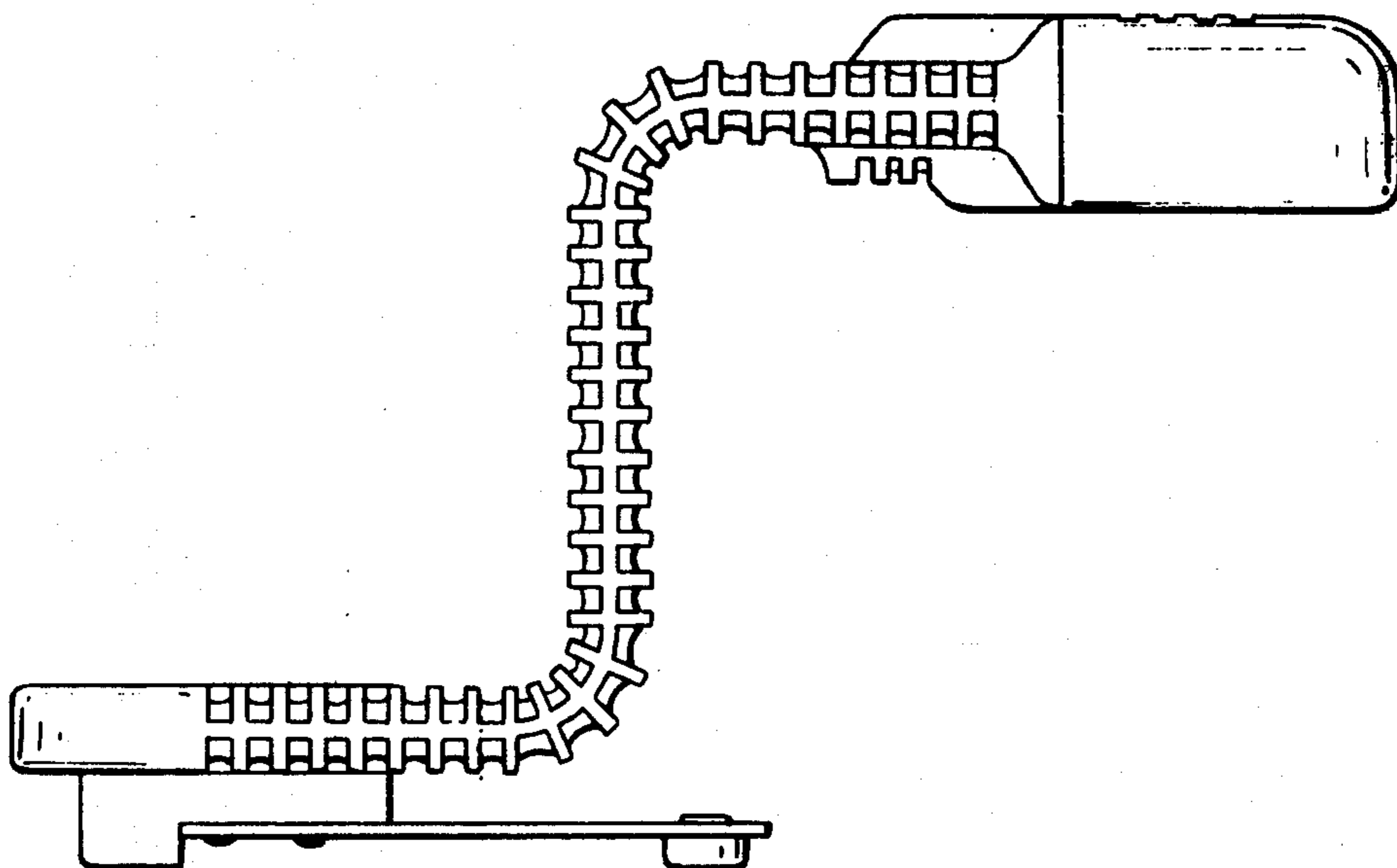
FIG. 1 is a front view of a lamp showing my new design;

FIG. 2 is a right side elevational view thereof;

FIG. 3 is a left side elevational view thereof;

FIG. 4 is a top plan view thereof;

FIG. 5 is a bottom plan view thereof.



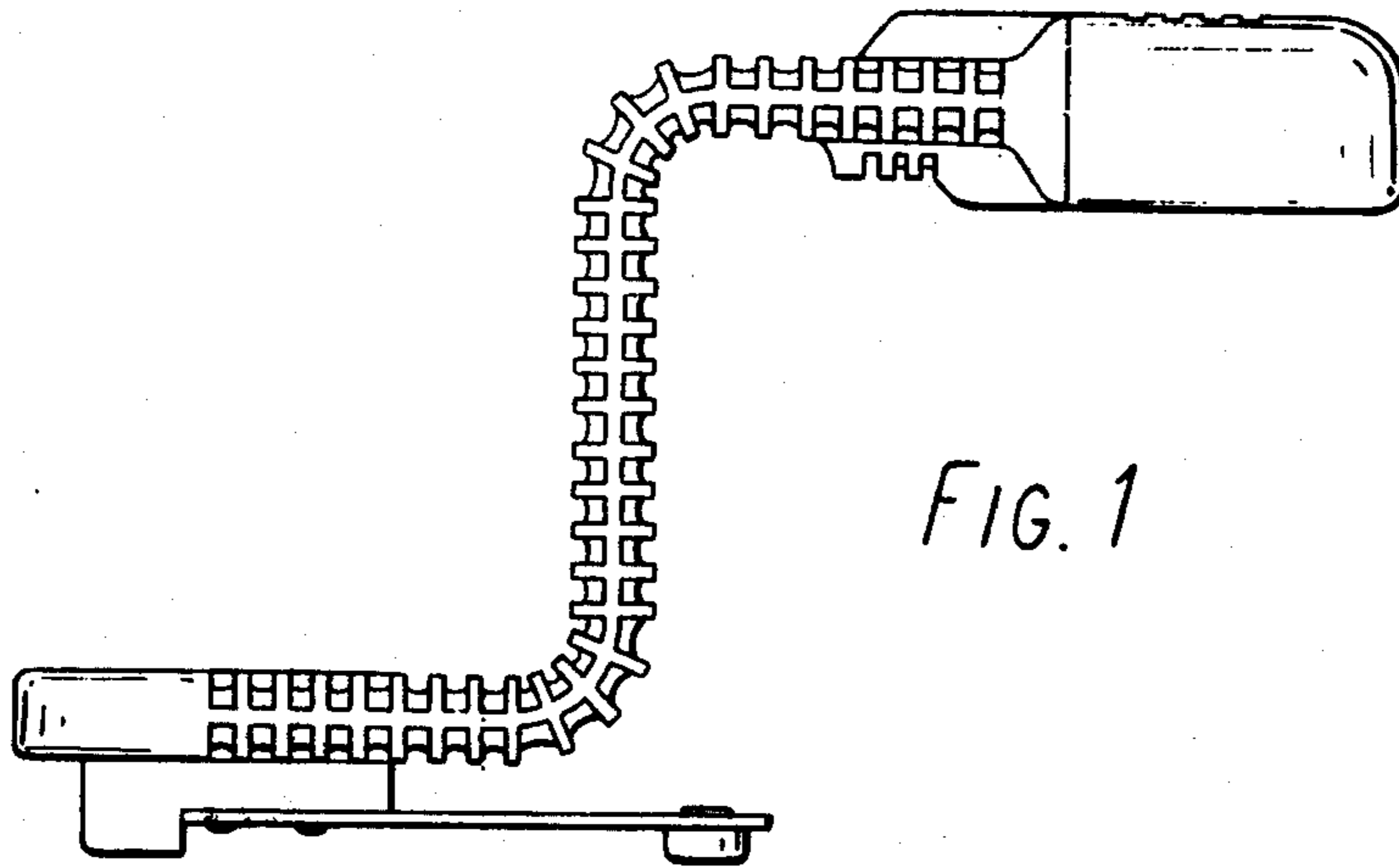


FIG. 1

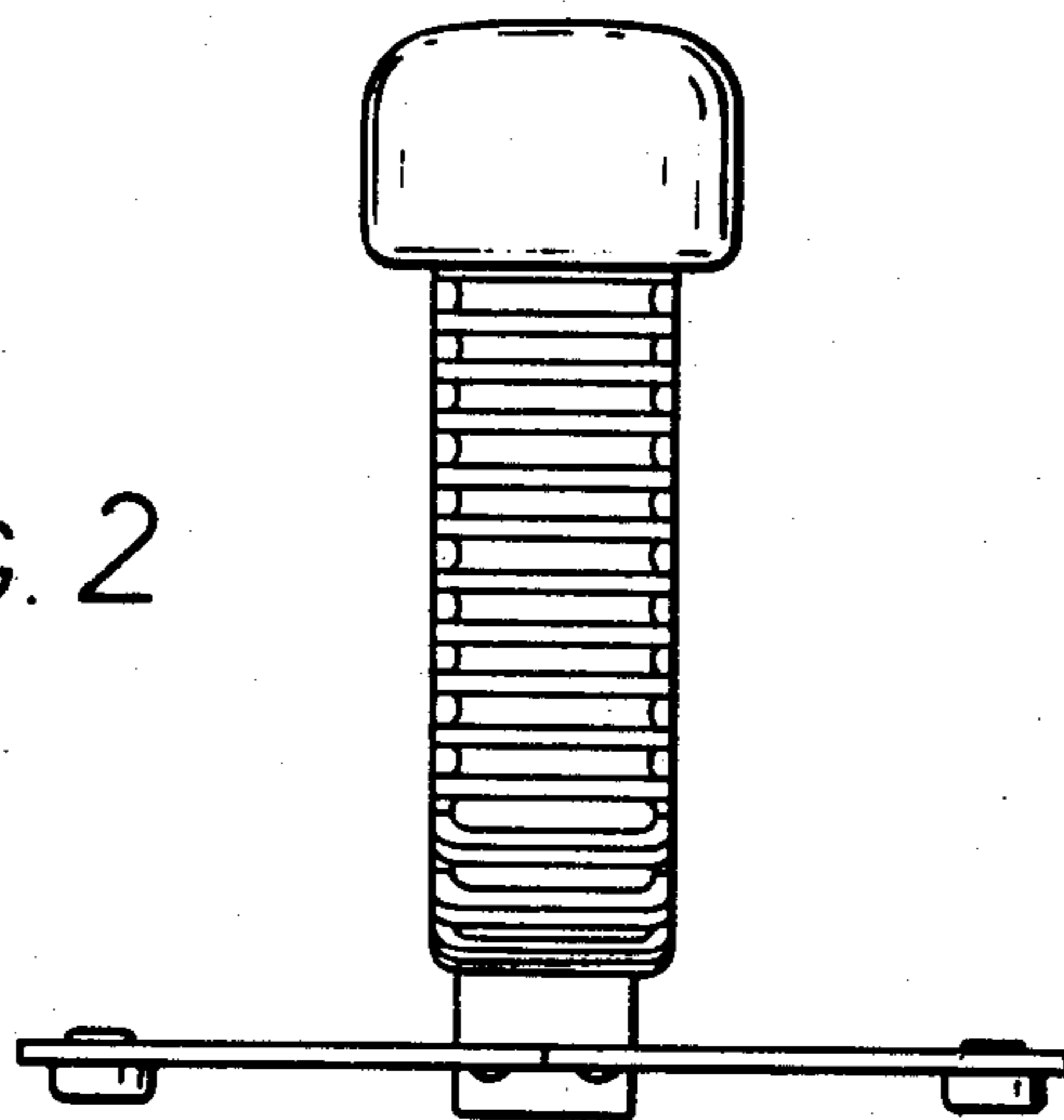


FIG. 2

