

[54] PRESSURE VESSEL FOR CURING PLASTIC DENTURES

[76] Inventors: John W. Mitchell, Sr., 1701 W. 168th St.; Kenneth H. Oyama, 1601 W. Redondo Beach Blvd., both of Gardena, Calif. 90247; John K. Lawler, deceased, late of Gardena, Calif., by Doris Gene Lawler, executrix, 16616 Taylor Ct., Gardena, Calif. 90247

[**] Term: 14 Years

[21] Appl. No.: 871,515

[22] Filed: Jan. 23, 1978

[51] Int. Cl. D24-02
[52] U.S. Cl. D24/4; D15/135
[58] Field of Search D24/4, 16, 99; 100/211, 100/289, 269; D15/135, 199

[56] References Cited
U.S. PATENT DOCUMENTS

D. 149,898	6/1948	Meister	D24/4
D. 194,650	2/1963	Gold	D24/4 X
1,230,013	6/1917	Morwitz	100/211 X
1,372,190	3/1921	Randall et al.	100/211 X
2,955,530	10/1960	Nilo	100/289
3,450,039	6/1969	Ashbrook	100/269 R

Primary Examiner—Bernard Ansher
Attorney, Agent, or Firm—Howard L. Johnson

[57] CLAIM

The ornamental design for a pressure vessel for curing plastic dentures, substantially as shown and described.

DESCRIPTION

FIG. 1 is an elevation view of a pressure vessel for curing plastic dentures showing our new design; FIG. 2 is a top plan view thereof; FIG. 3 is a bottom plan view thereof; and FIG. 4 is a cross-section taken along line 4—4 of FIG. 2.

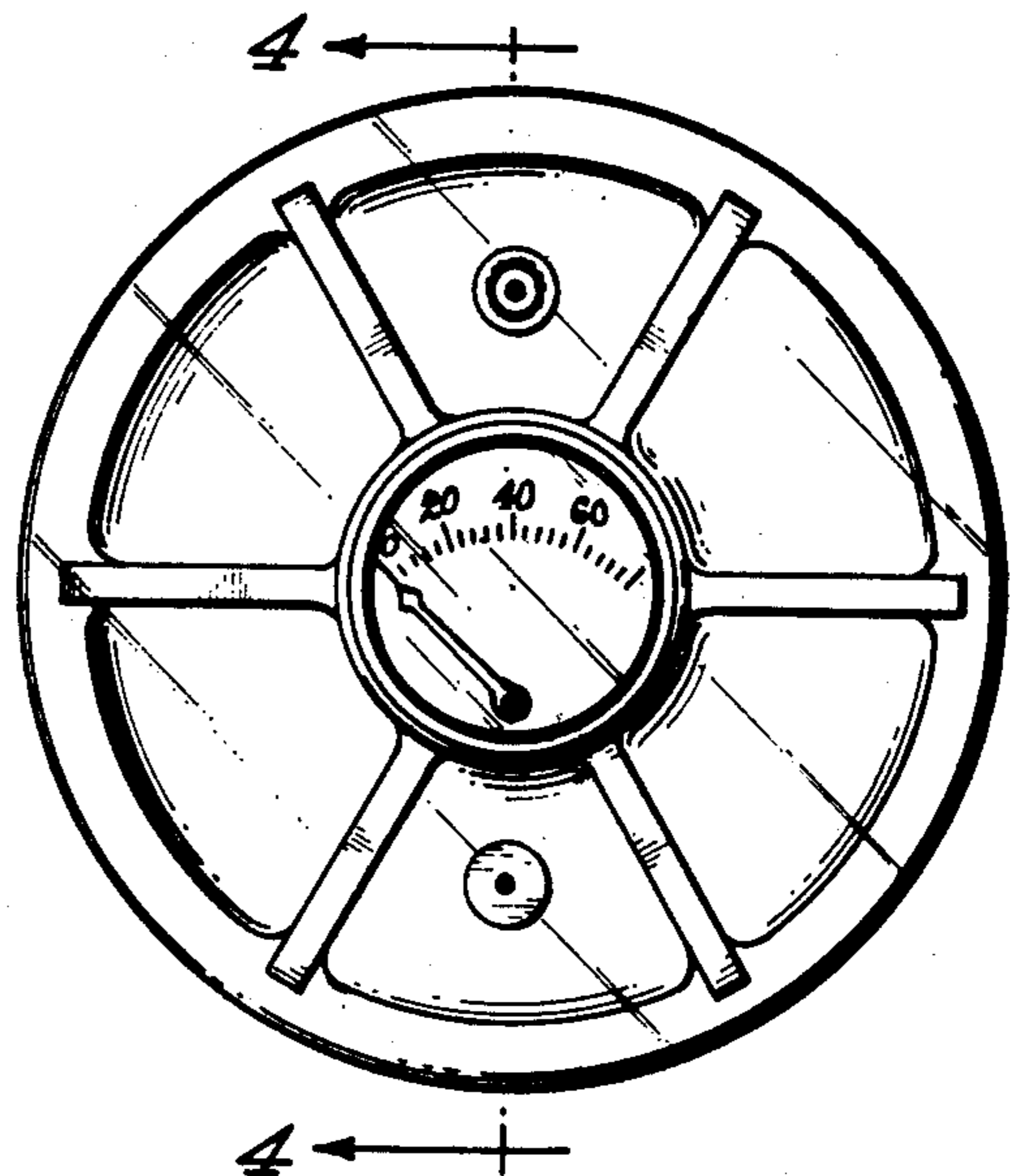
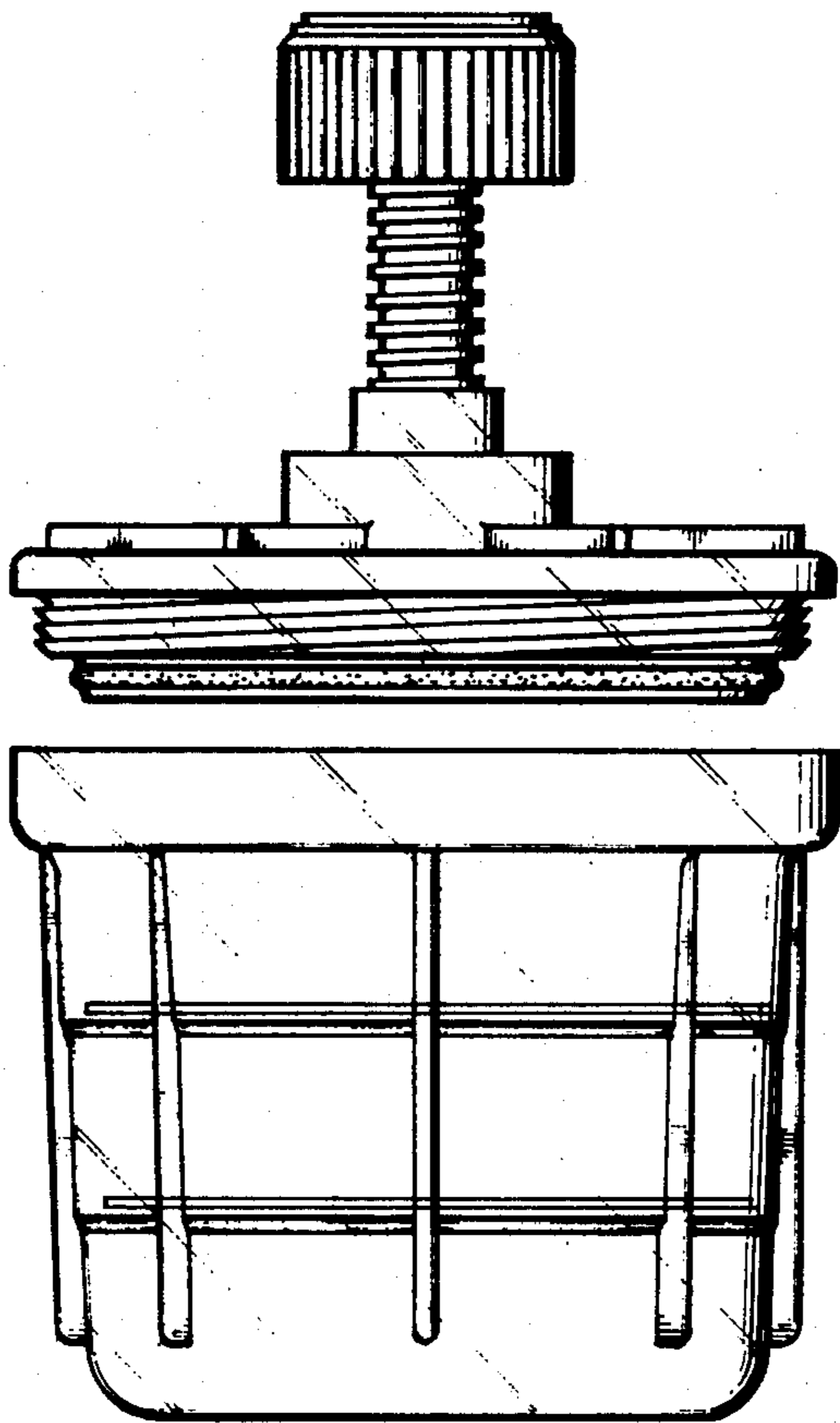


FIG. 1.

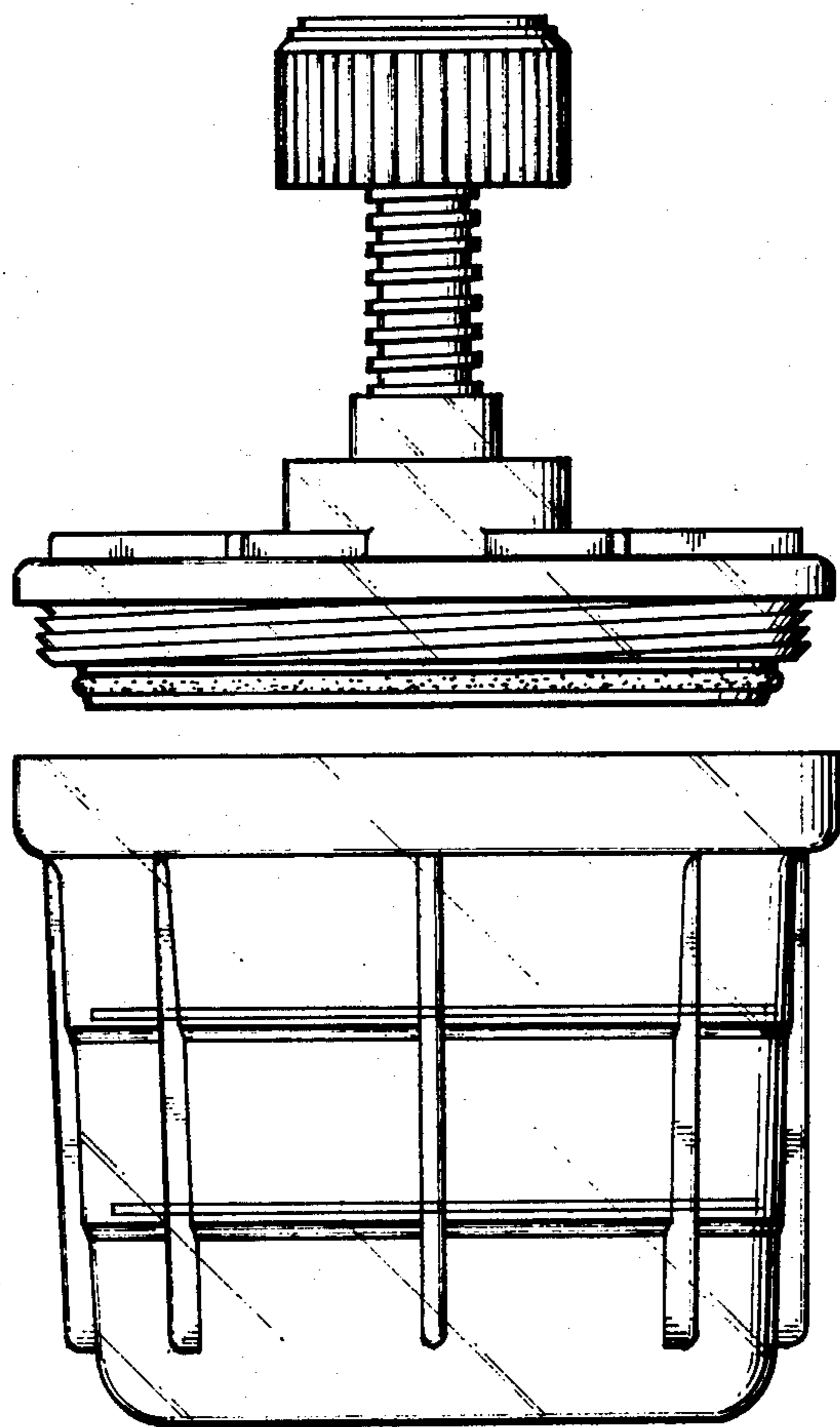


FIG. 2.

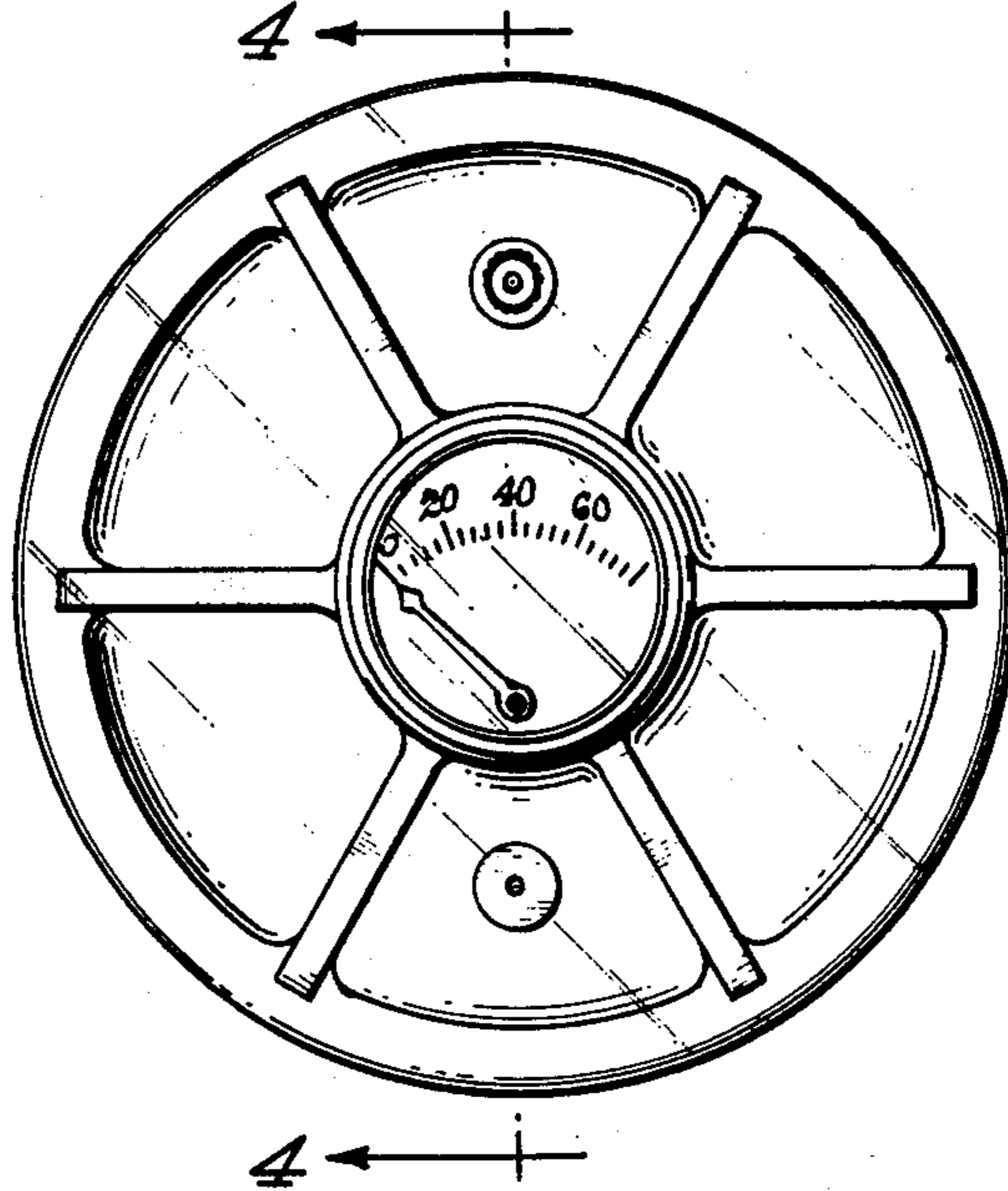


FIG. 3.

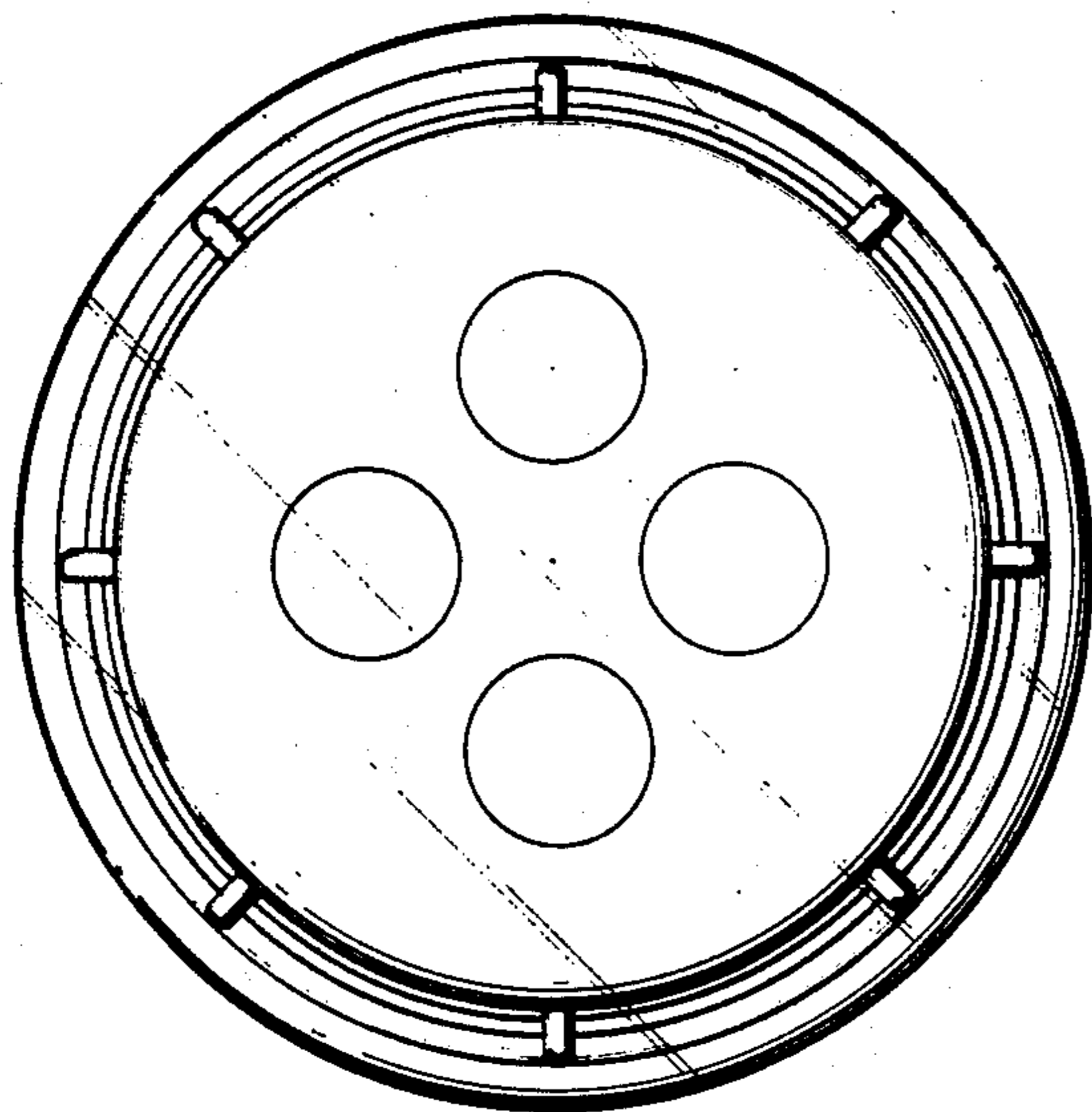


FIG. 4.

