

[54] SHOWER HEAD

[75] Inventor: Wong M. Kwan, North Point, Hong Kong

[73] Assignee: Well Men Industrial Company, Quarry Bay, Hong Kong

[**] Term: 14 Years

[21] Appl. No.: 804,800

[22] Filed: Jun. 8, 1977

[30] Foreign Application Priority Data
Feb. 25, 1977 [GB] United Kingdom 979041/77

[51] Int. Cl. D23-01

[52] U.S. Cl. D23/35

[58] Field of Search D23/17, 18, 34-40;
239/102, 383, 530, 588

[56]

References Cited

U.S. PATENT DOCUMENTS

D. 235,445	6/1975	Mackay et al.	D23/35
2,878,066	3/1959	Erwin	239/383
3,623,670	11/1971	Wakeman et al.	239/587 X
3,762,648	10/1973	Deines et al.	239/383
3,801,019	4/1974	Trenary et al.	239/383
3,887,136	6/1975	Anderson	239/587
3,958,766	5/1976	Trenary et al.	239/102
3,967,783	7/1976	Halsted et al.	239/383
4,079,891	3/1978	Kwan	239/101

Primary Examiner—James R. Largen
Attorney, Agent, or Firm—Perry Carvellas

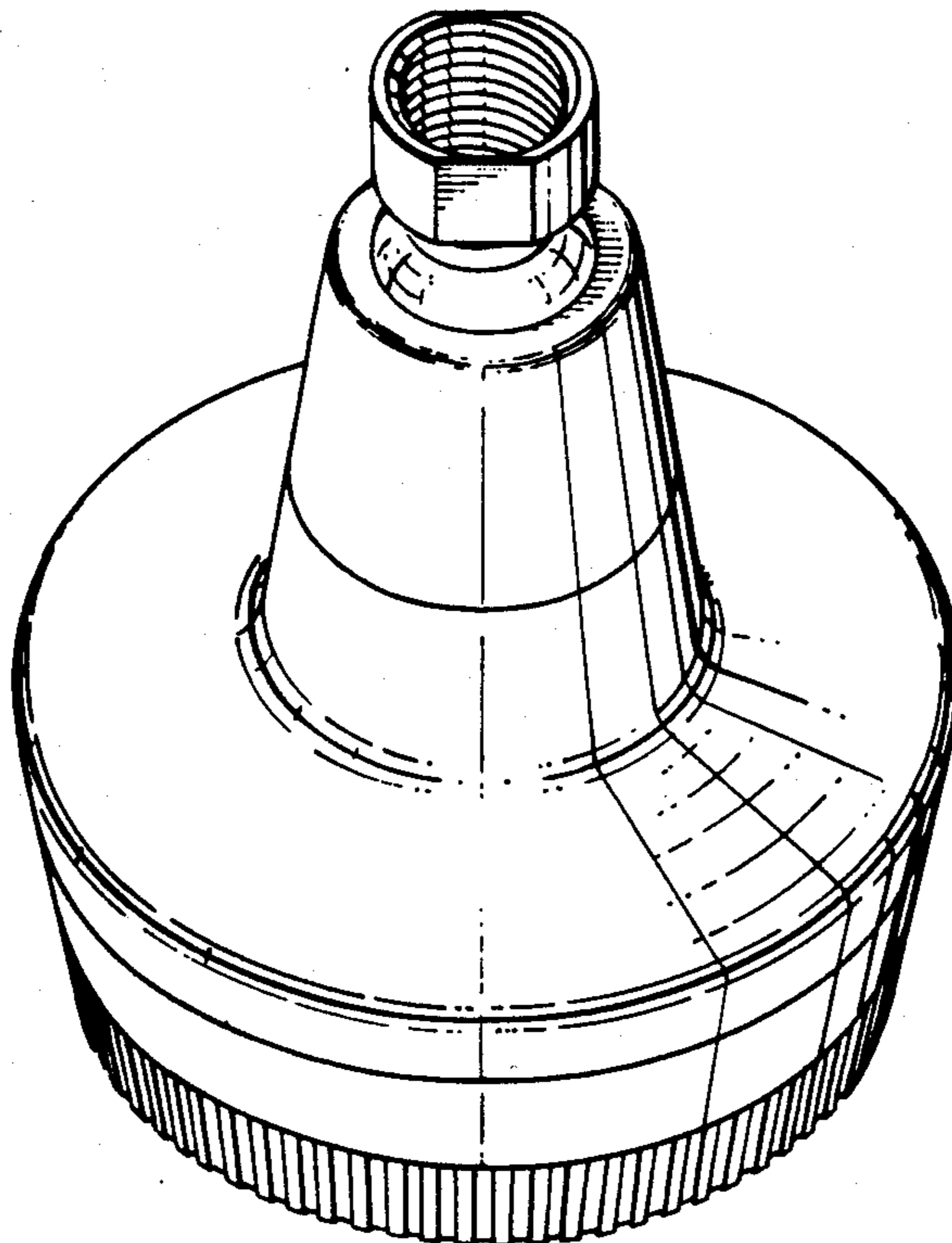
[57]

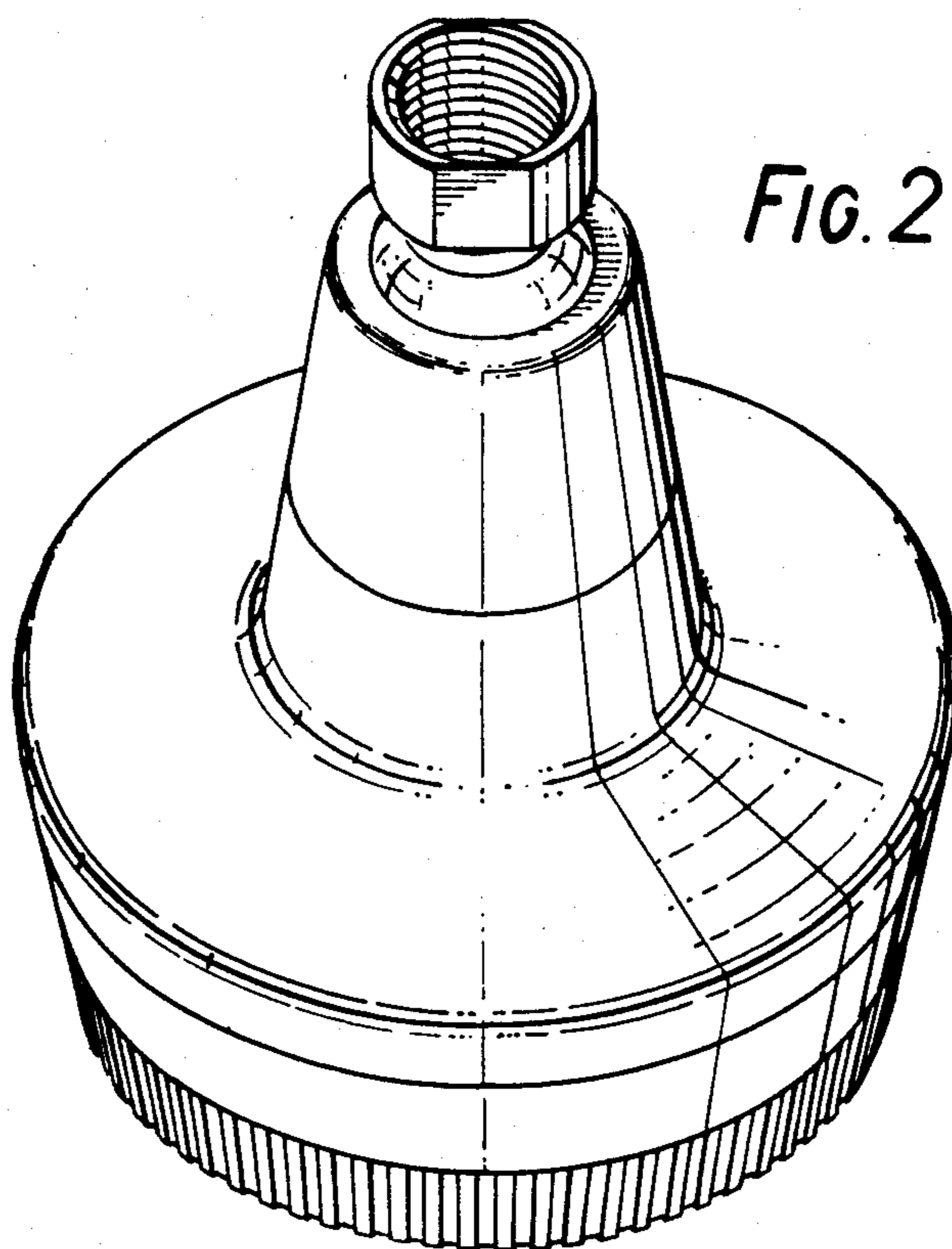
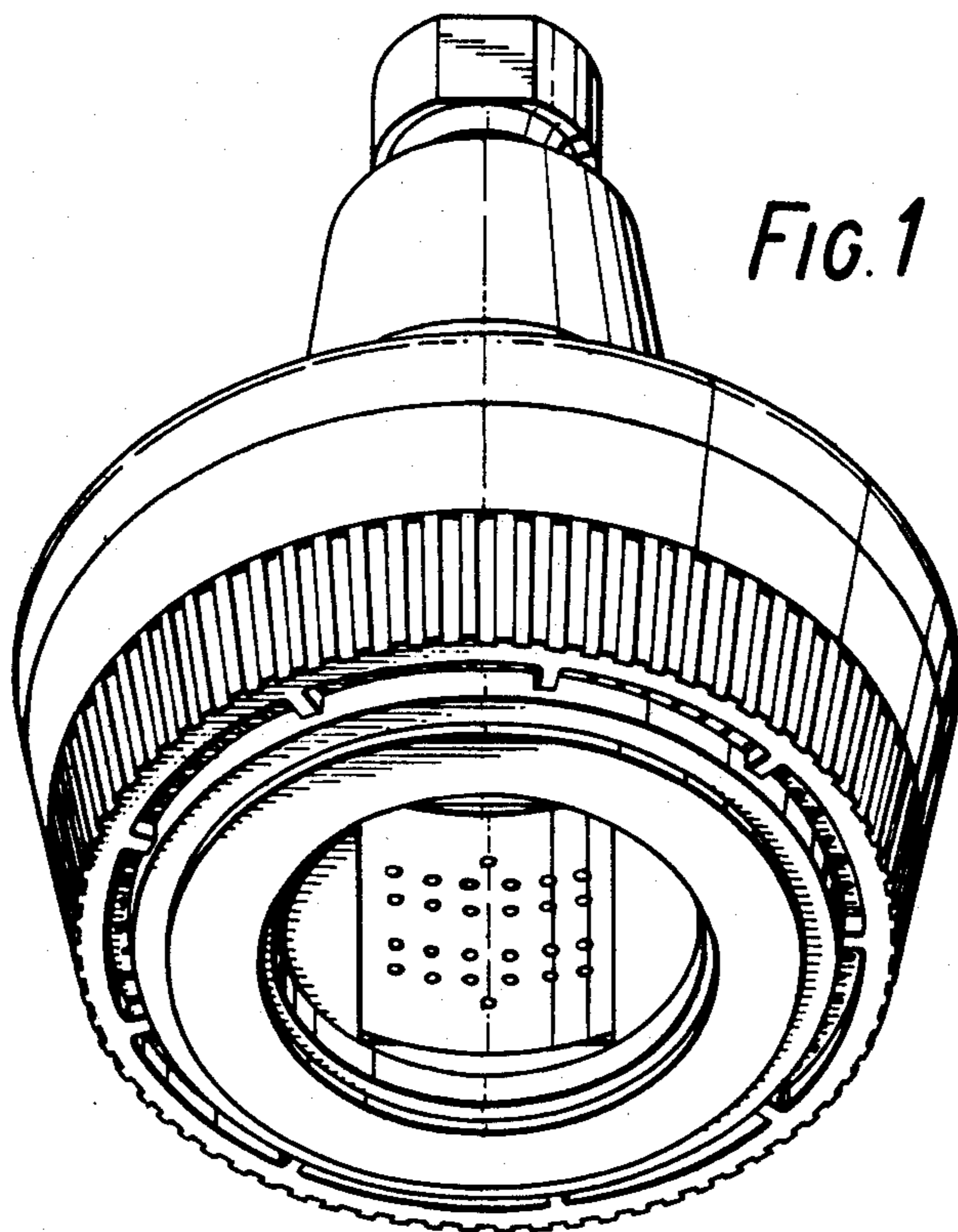
CLAIM

The ornamental design for a shower head, substantially as shown.

DESCRIPTION

FIG. 1 is a bottom perspective view of a shower head, showing my new design;
FIG. 2 is a top perspective view thereof;
FIG. 3 is a bottom plan view thereof;
FIG. 4 is a top plan view thereof; and
FIG. 5 is a side elevational view thereof.





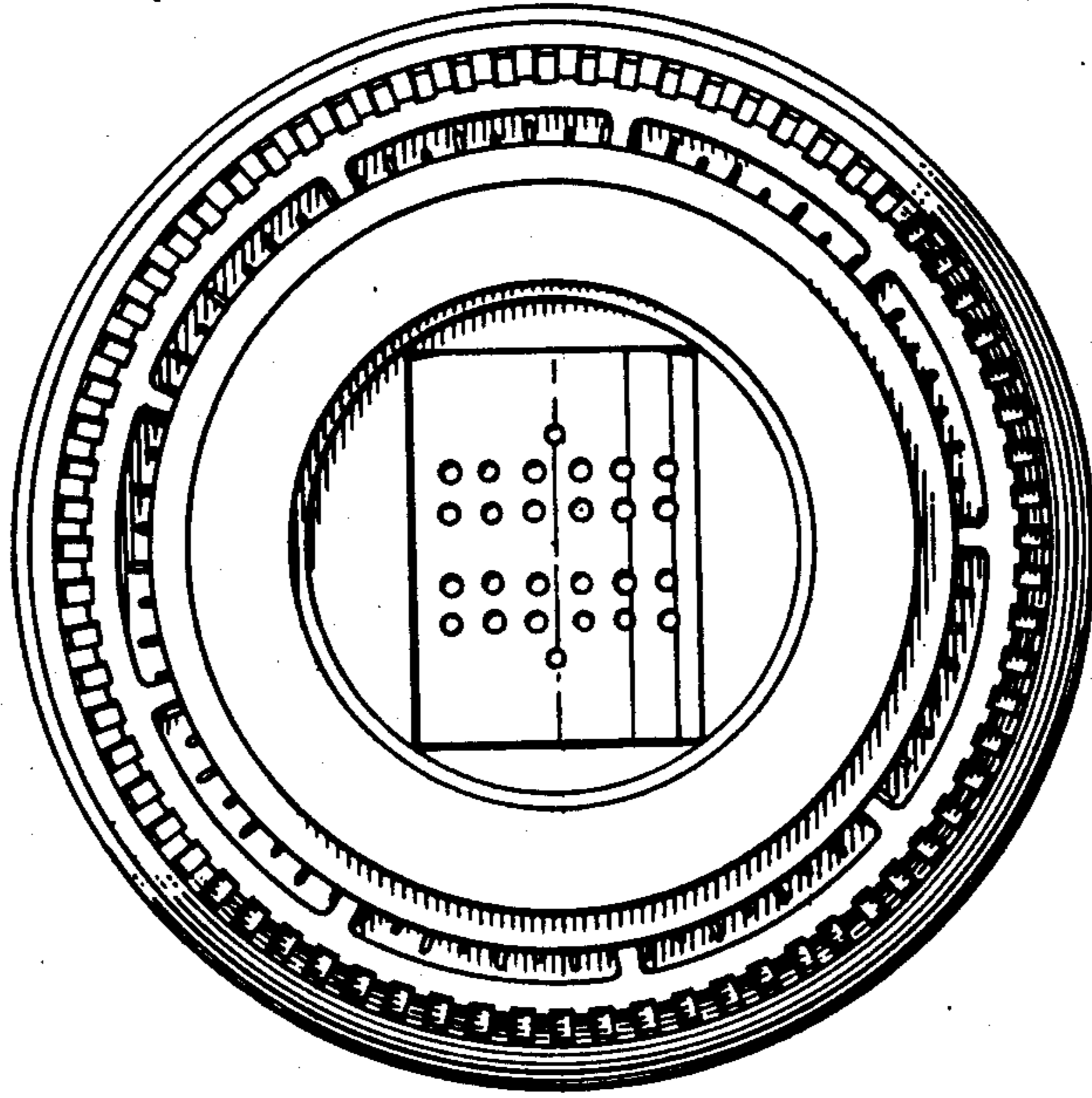


FIG. 3

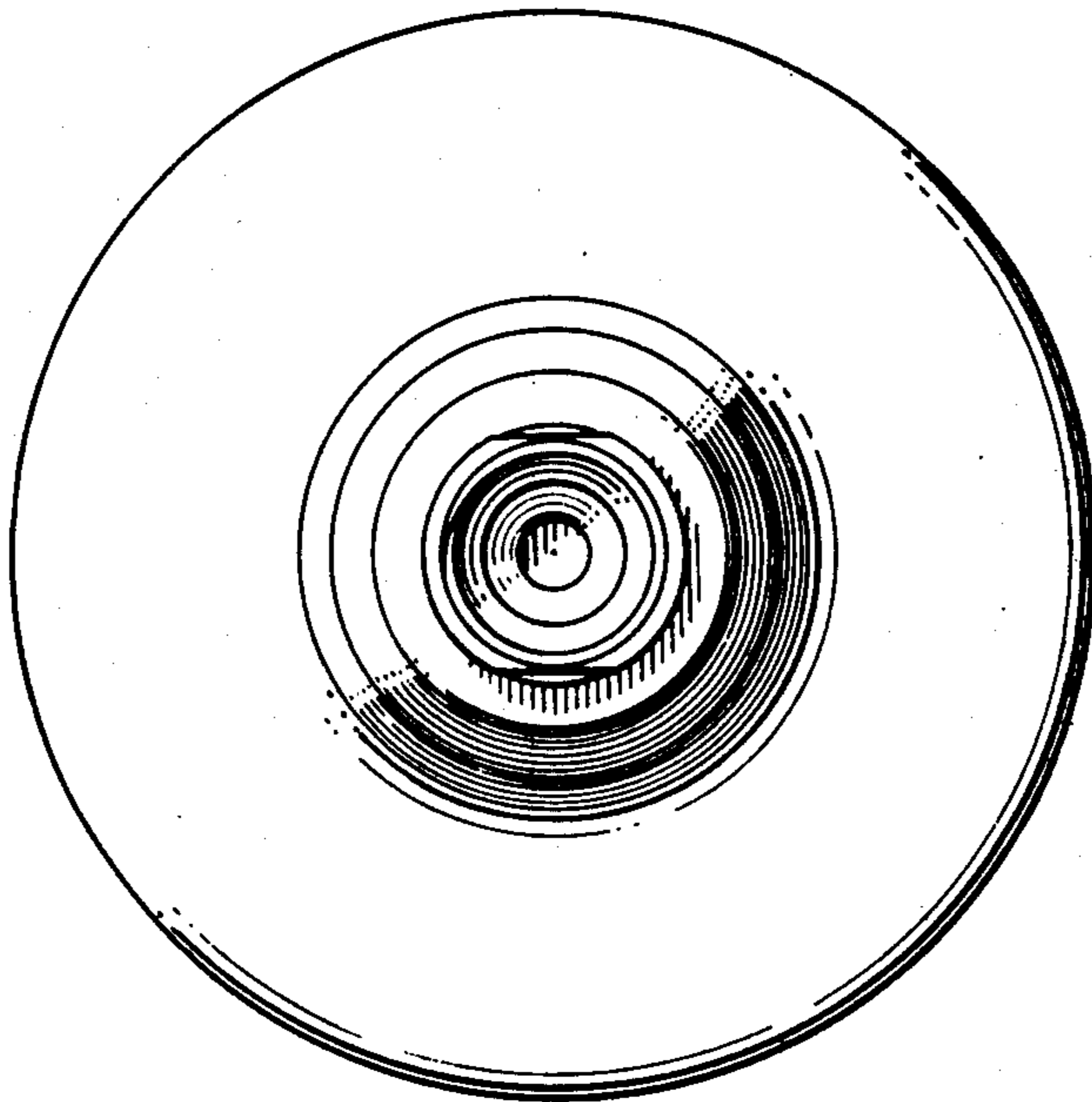


FIG. 4

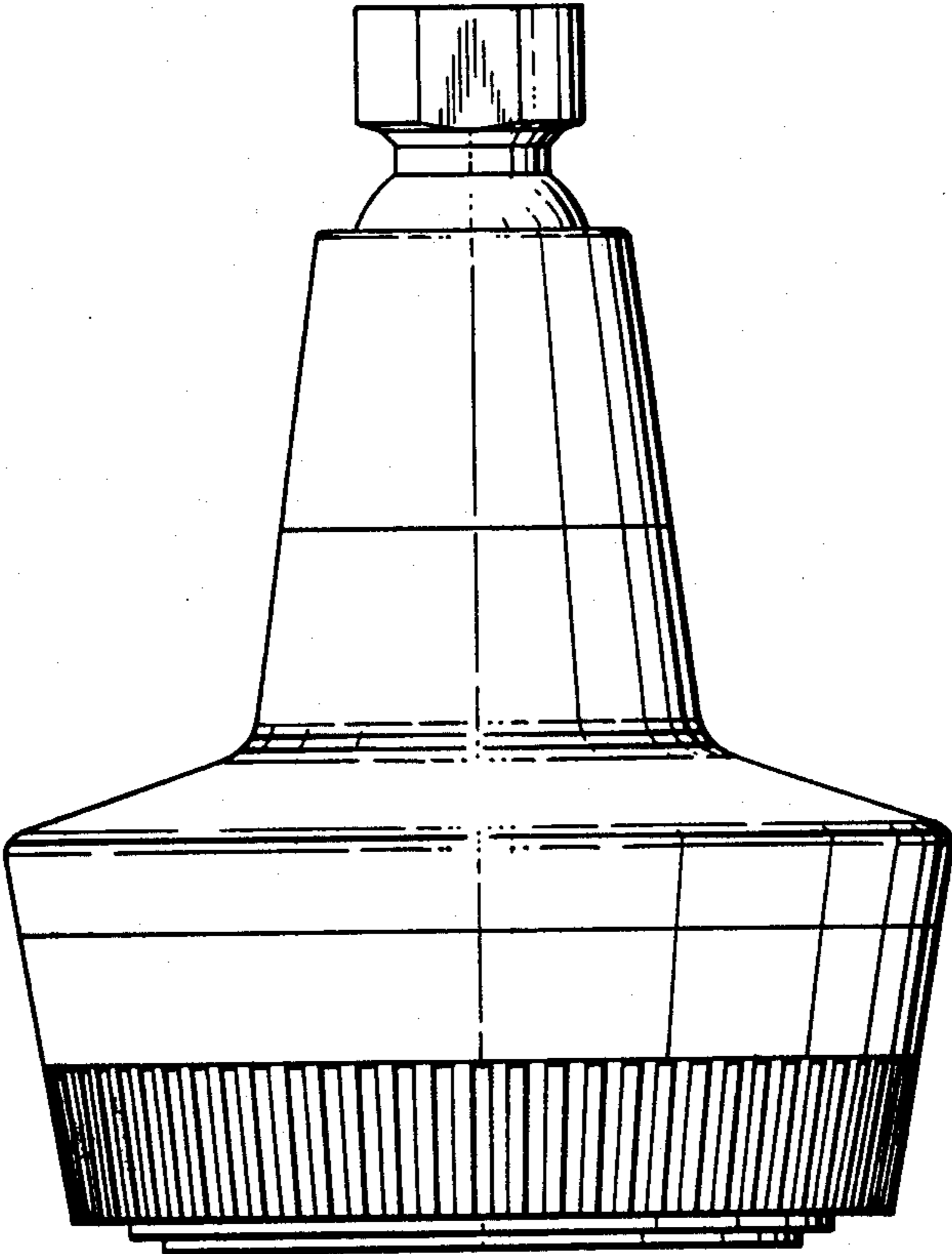


FIG. 5