

[54] **FILL VALVE**

[76] **Inventor: Dwight N. Johnson, 24656 Shadowfax, El Toro, Calif. 92630**

[**] **Term: 14 Years**

[21] **Appl. No.: 809,383**

[22] **Filed: Jun. 23, 1977**

[51] **Int. Cl. D23-01**

[52] **U.S. Cl. D23/19; D23/40**

[58] **Field of Search D23/19-22, D23/27, 32, 33, 38-43**

[56] **References Cited**

U.S. PATENT DOCUMENTS

D. 195,807	7/1963	Goldtrap	D23/40
D. 206,850	1/1967	Schoepe	D23/40
D. 214,050	5/1969	Hudson	D23/40
2,685,301	8/1954	Drier	137/403 X
2,986,155	5/1961	Doyle	137/436 X

3,242,940	3/1966	Sirotek	137/437 X
3,559,675	2/1971	Schoepe	137/436
3,586,017	6/1971	Walters	137/403 X
3,693,649	9/1972	Gordon et al.	137/414
3,895,645	7/1975	Johnson	251/46
4,065,095	12/1977	Johnson	251/46

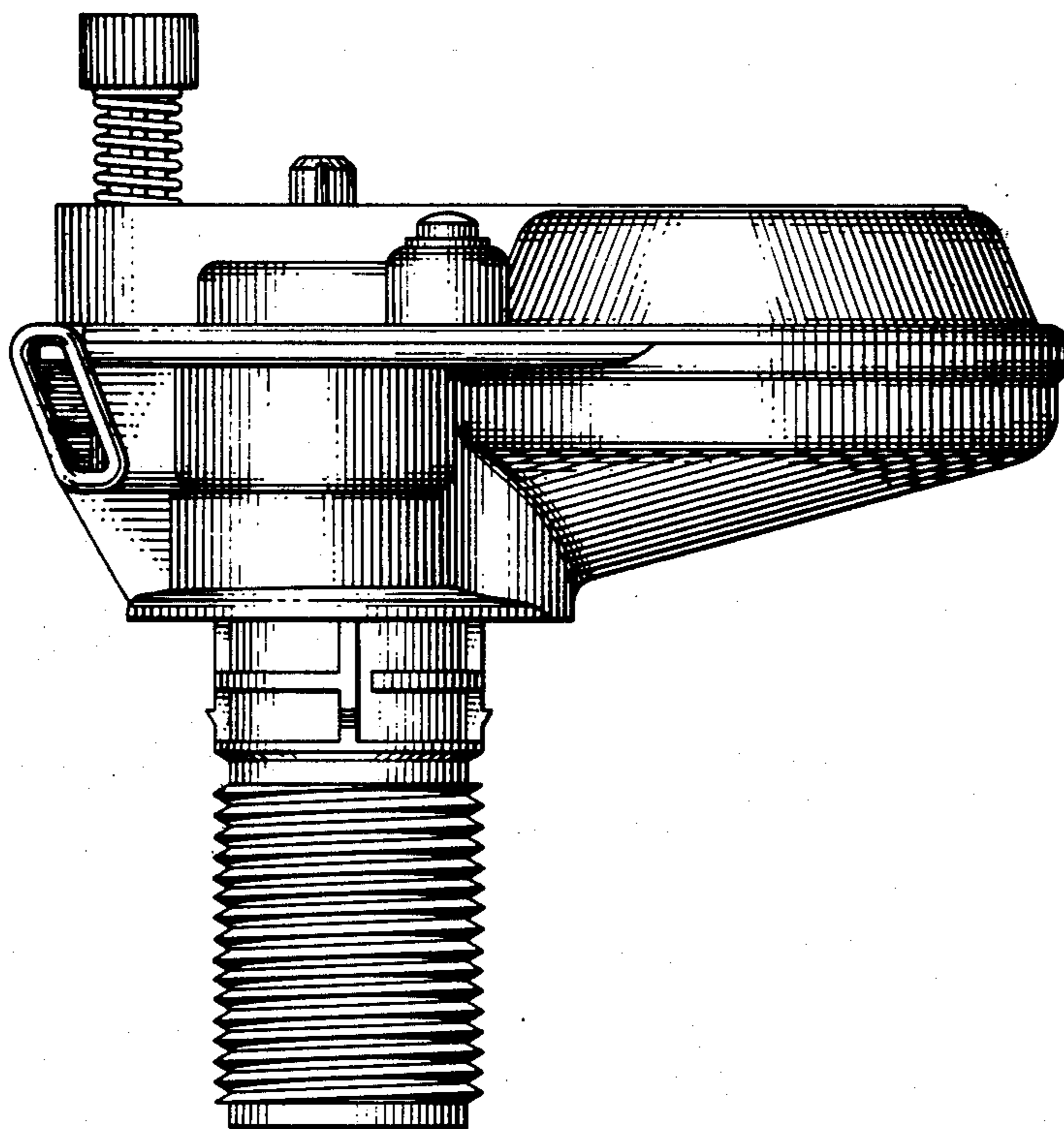
*Primary Examiner—James R. Largen
Attorney, Agent, or Firm—Louis J. Knobbe*

[57] **CLAIM**

The ornamental design for a fill valve, as shown.

DESCRIPTION

FIG. 1 is a side elevational view of a fill valve embodying the design of my invention;
FIG. 2 is an end elevational view thereof;
FIG. 3 is a top plan view thereof;
FIG. 4 is an elevational view taken from the end opposite that shown in FIG. 2;
FIG. 5 is an elevational view taken from the side opposite that shown in FIG. 1; and
FIG. 6 is a bottom plan view thereof.



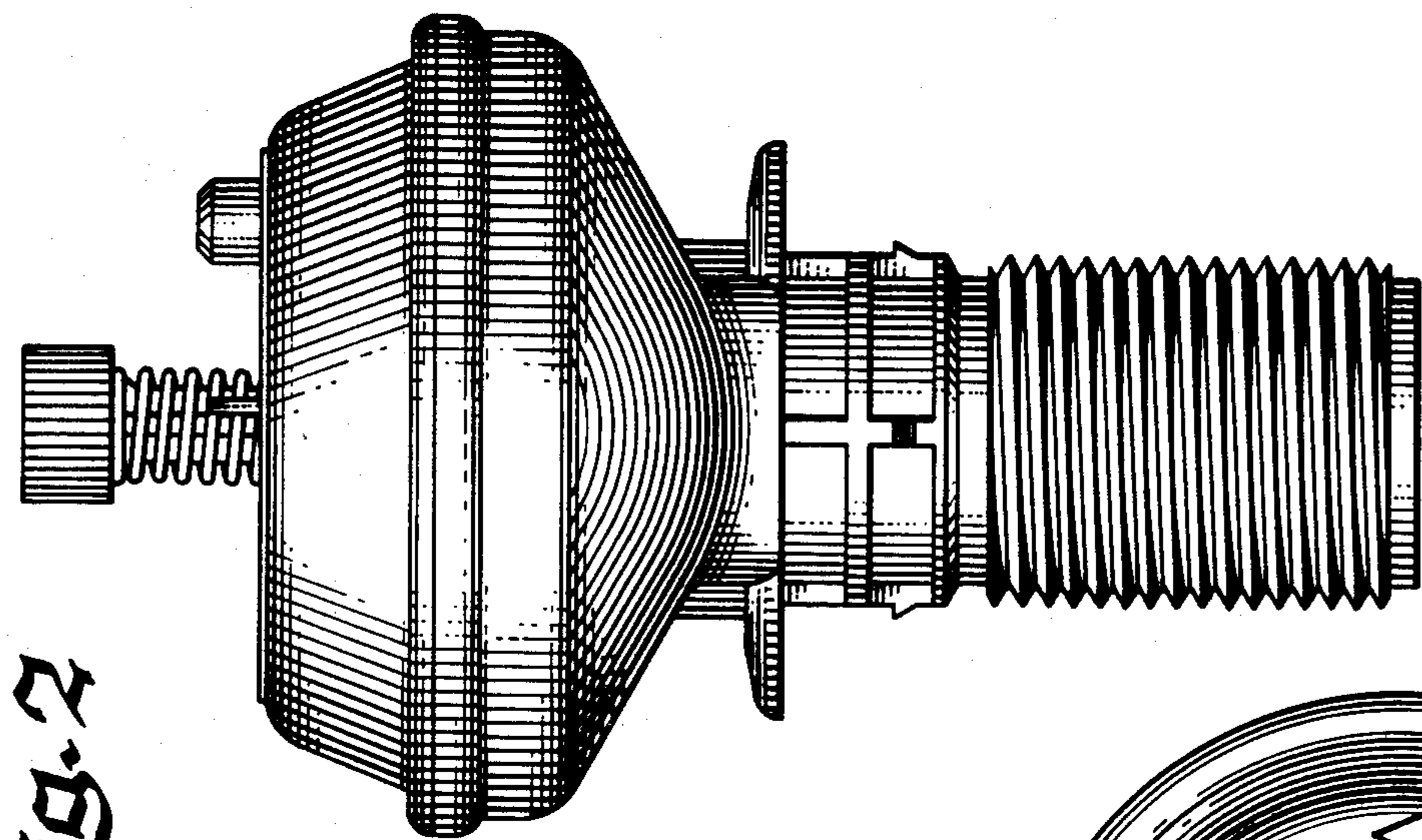


FIG. 2

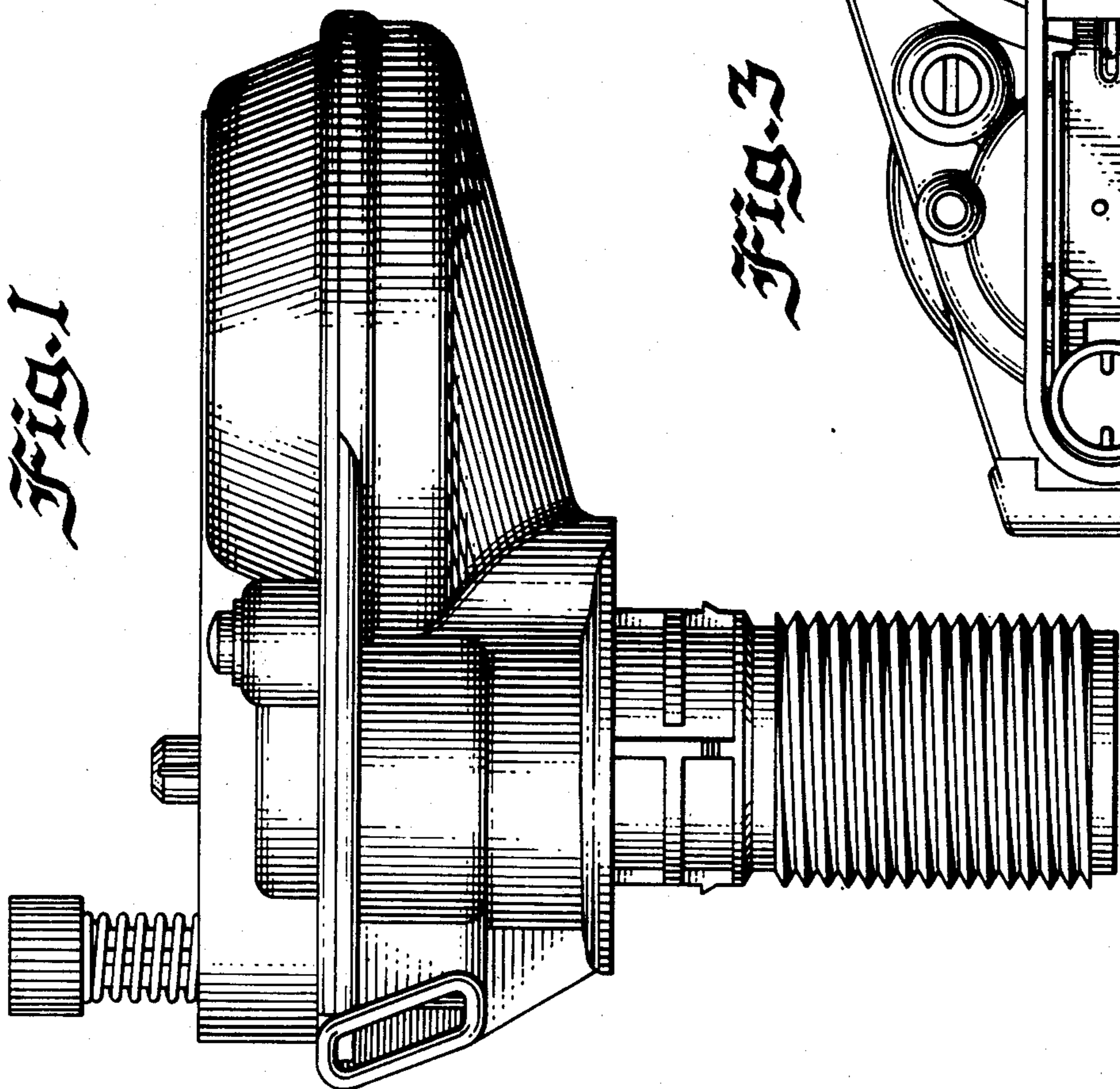


FIG. 1

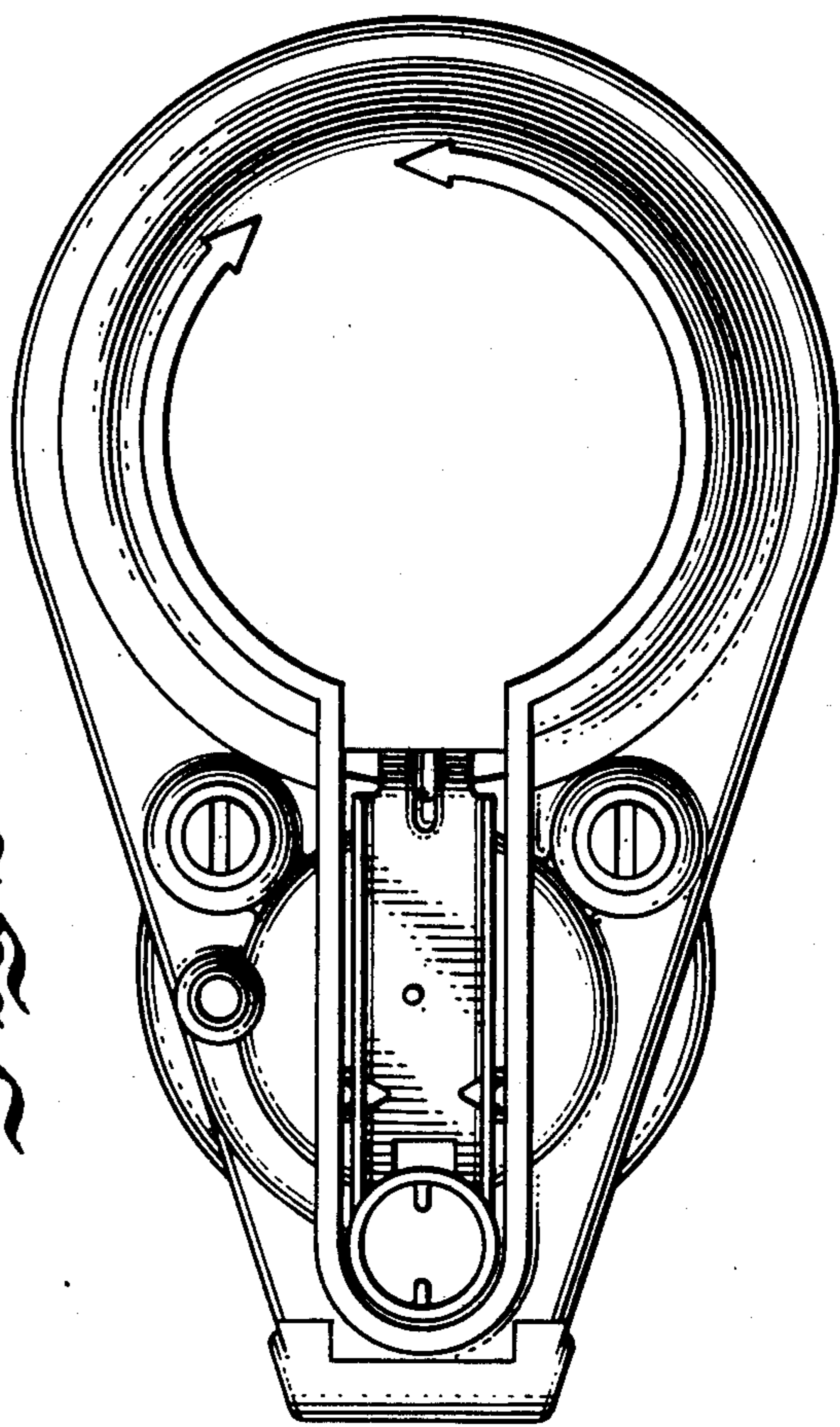


FIG. 3

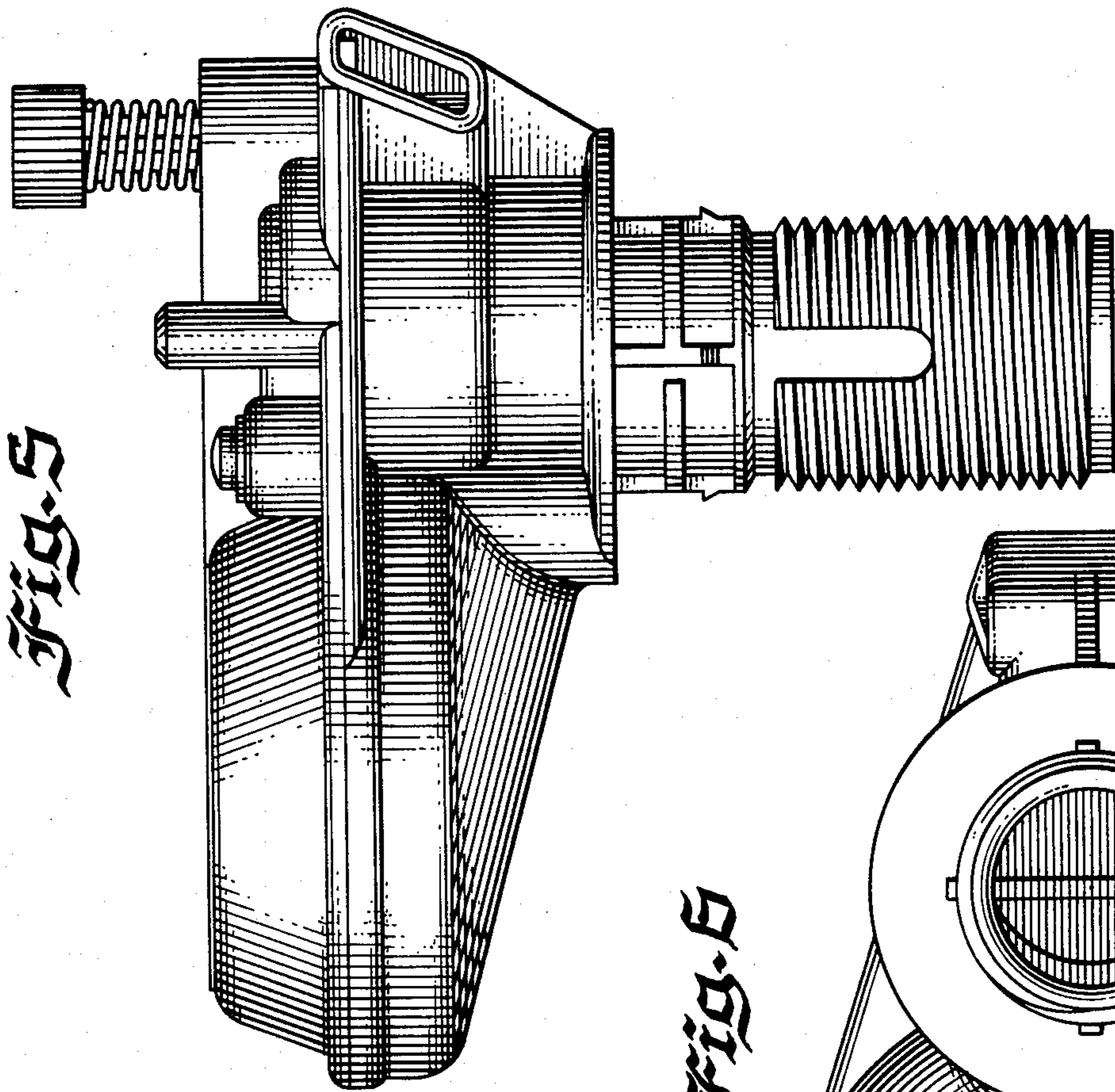


Fig. 5

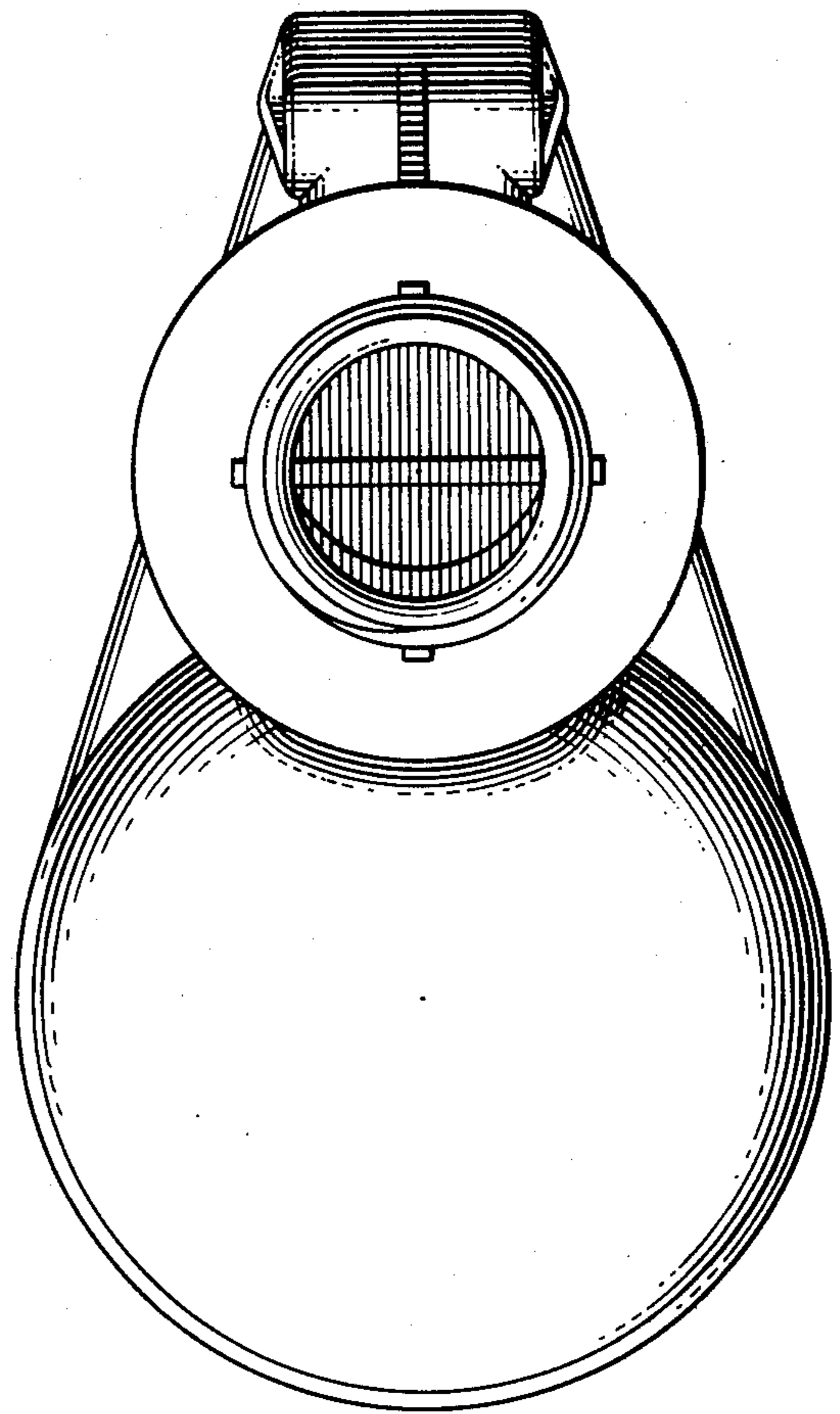


Fig. 6

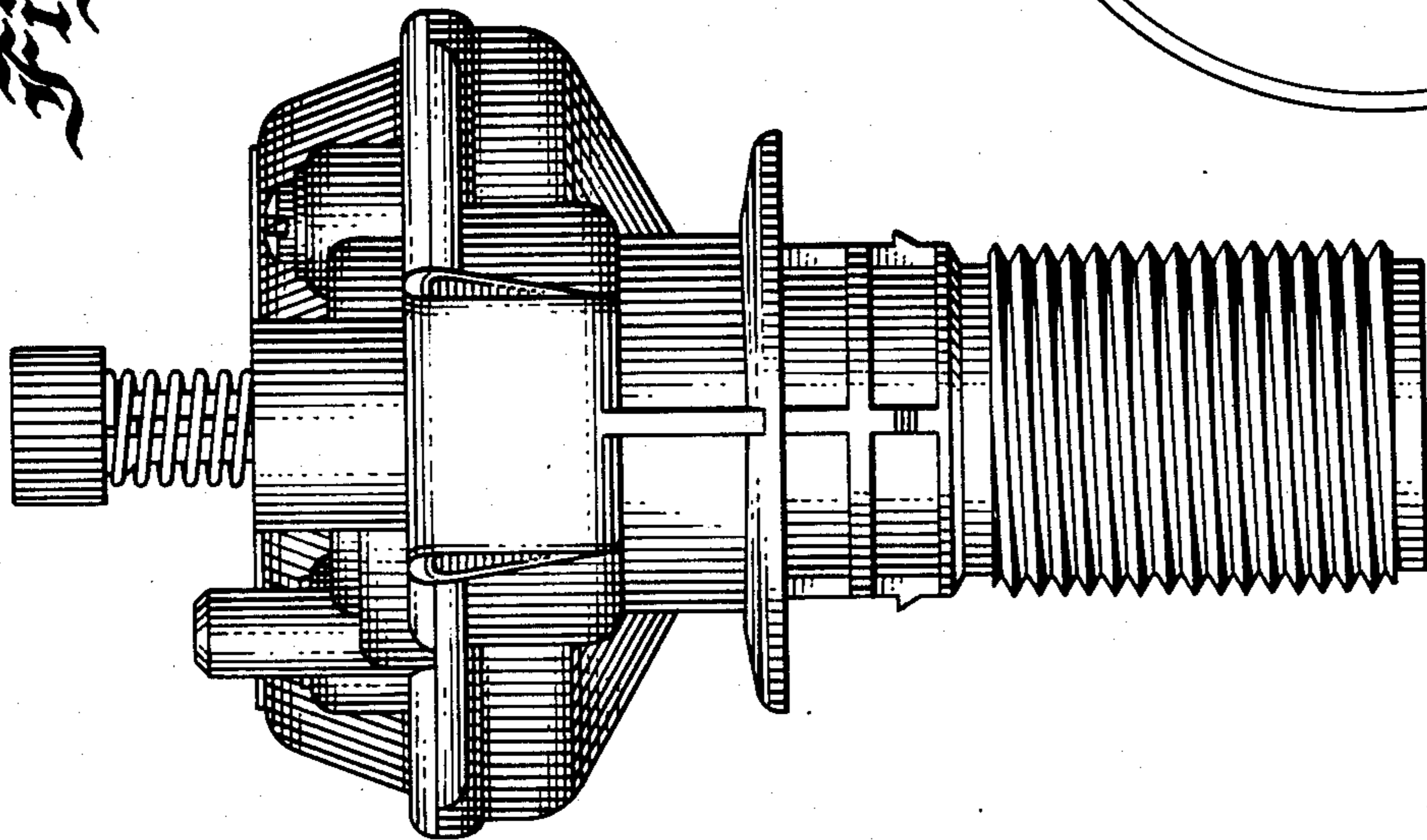


Fig. 4