

[54] **TERMINAL FITTING FOR A TUBULAR CONDUIT**

3,526,416 9/1970 Kish 285/253 X
3,813,116 5/1974 Horsley 285/236

[76] Inventor: **Robert E. Fouts**, 2152 Van Karajan, San Pedro, Calif. 90732

FOREIGN PATENT DOCUMENTS

2721090 12/1977 Fed. Rep. of Germany 285/253

[**] Term: **14 Years**

Primary Examiner—James R. Largen
Attorney, Agent, or Firm—G. P. Smith

[21] Appl. No.: **796,962**

[57] **CLAIM**

[22] Filed: **May 16, 1977**

The ornamental design for a terminal fitting for a tubular conduit, substantially as shown and described.

[51] Int. Cl. **D23—01**

[52] U.S. Cl. **D23/44**

[58] Field of Search **D23/40-47;**
285/251, 252, 253; 24/274 R

DESCRIPTION

[56] **References Cited**

U.S. PATENT DOCUMENTS

D. 207,276	3/1967	Nigon	D23/44 X
2,333,350	11/1943	Weatherhead, Jr.	285/251
2,688,498	9/1954	Wilson	285/37
2,958,549	11/1960	Spafford	285/252 X
3,424,482	1/1969	Ligon	24/274 R X

FIG. 1 is a top plan view of a terminal fitting for a tubular conduit showing my new design;
FIG. 2 is a side elevational view thereof;
FIG. 3 is an elevational view taken from one end thereof; and
FIG. 4 is an elevational view taken from the end opposite that shown in FIG. 3.
The fragmentary broken line showing of a tubular conduit in FIG. 1 is for purposes of illustration only.

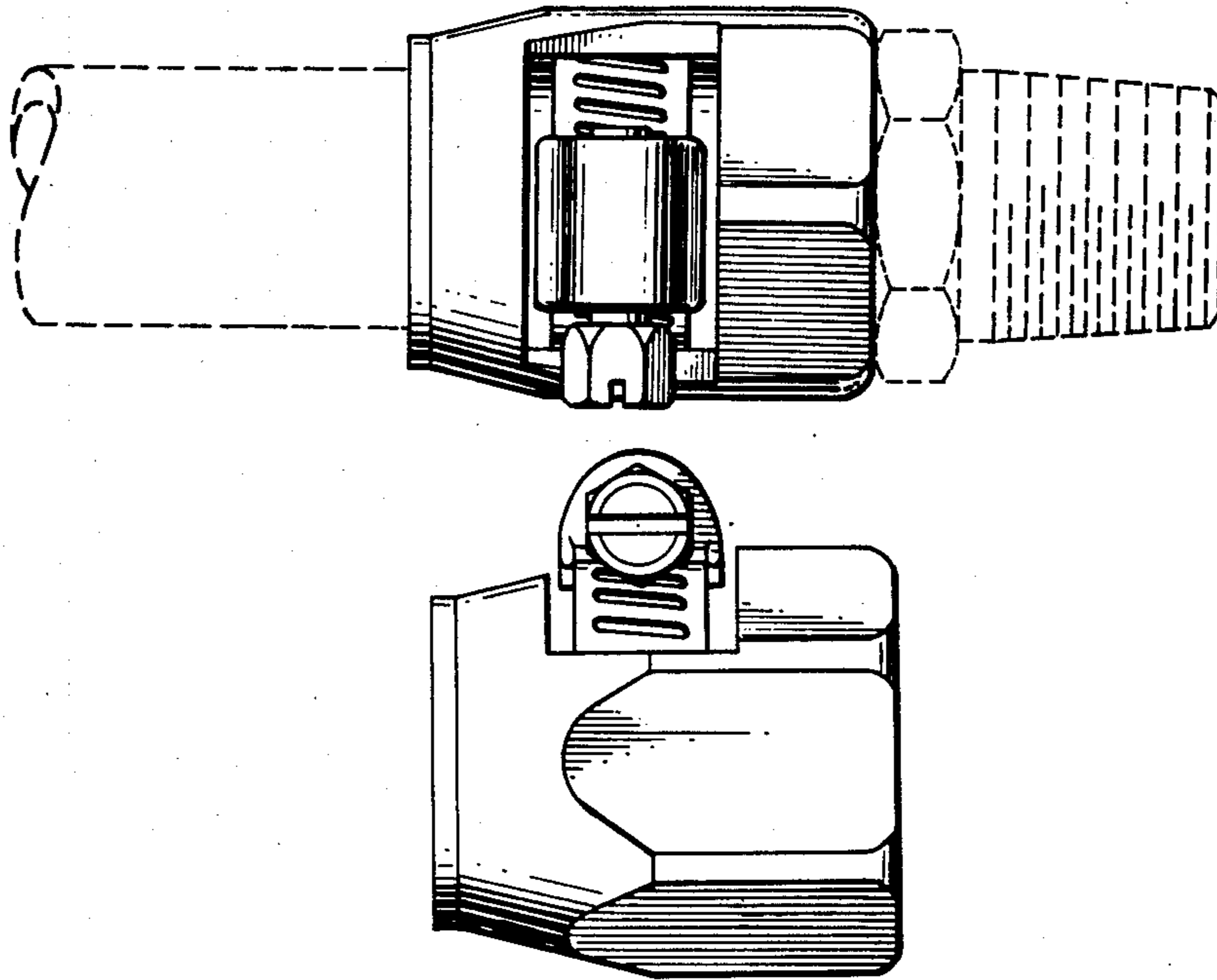


Fig. 1.

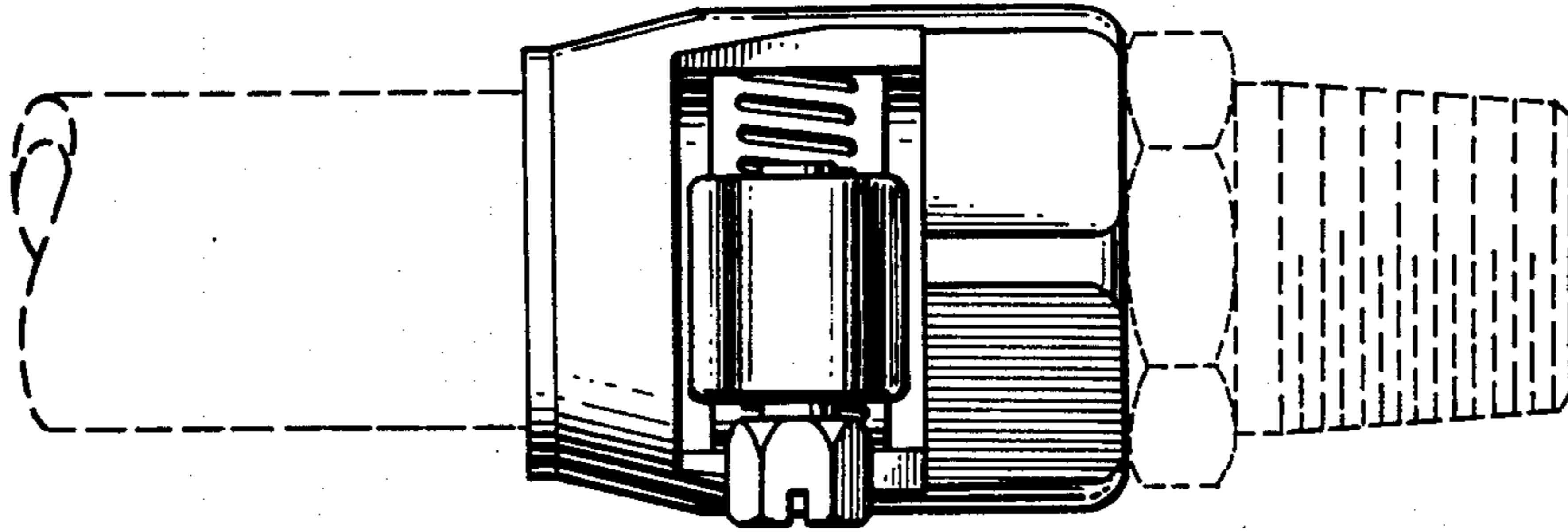


Fig. 2.

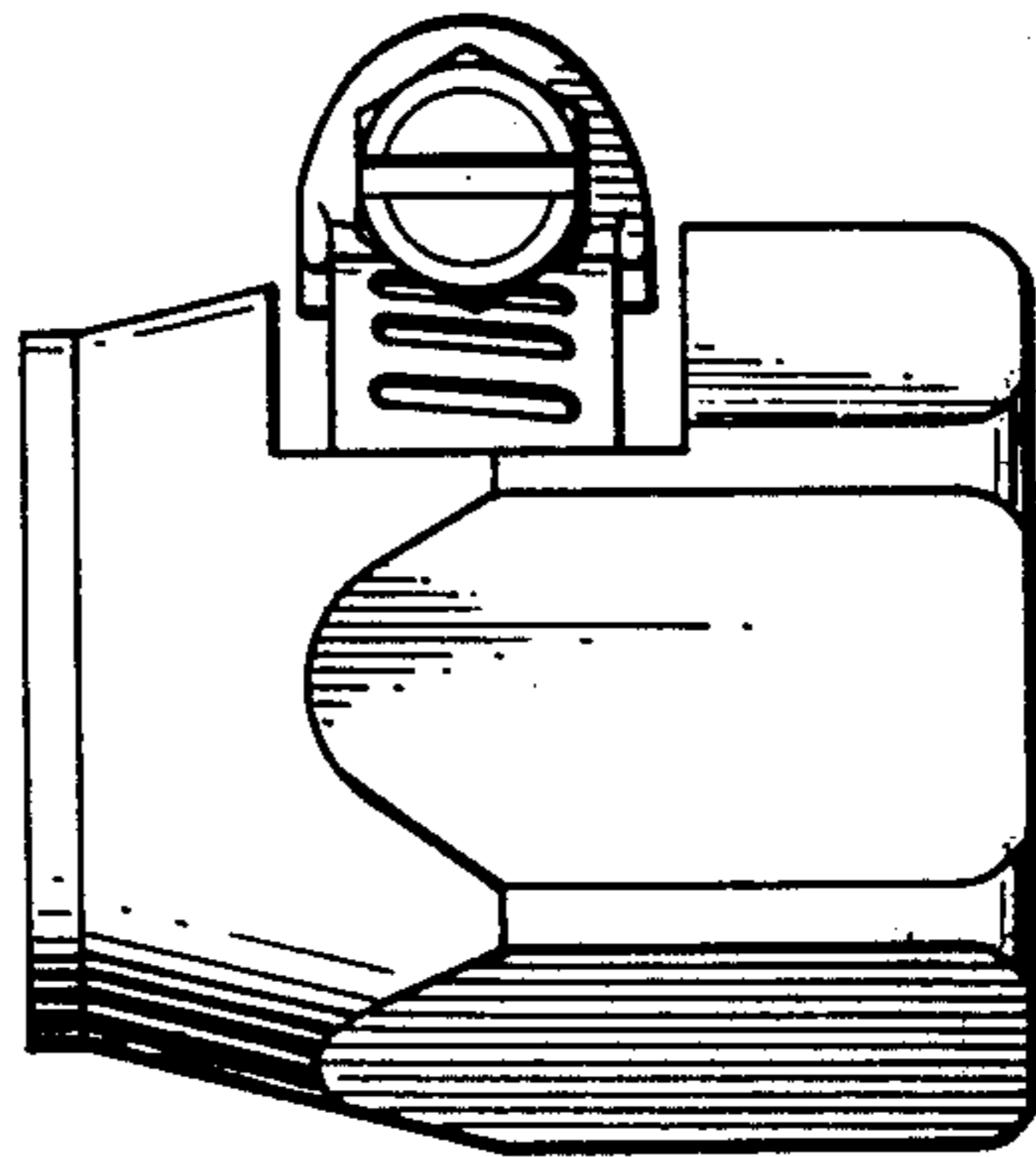


Fig. 3.

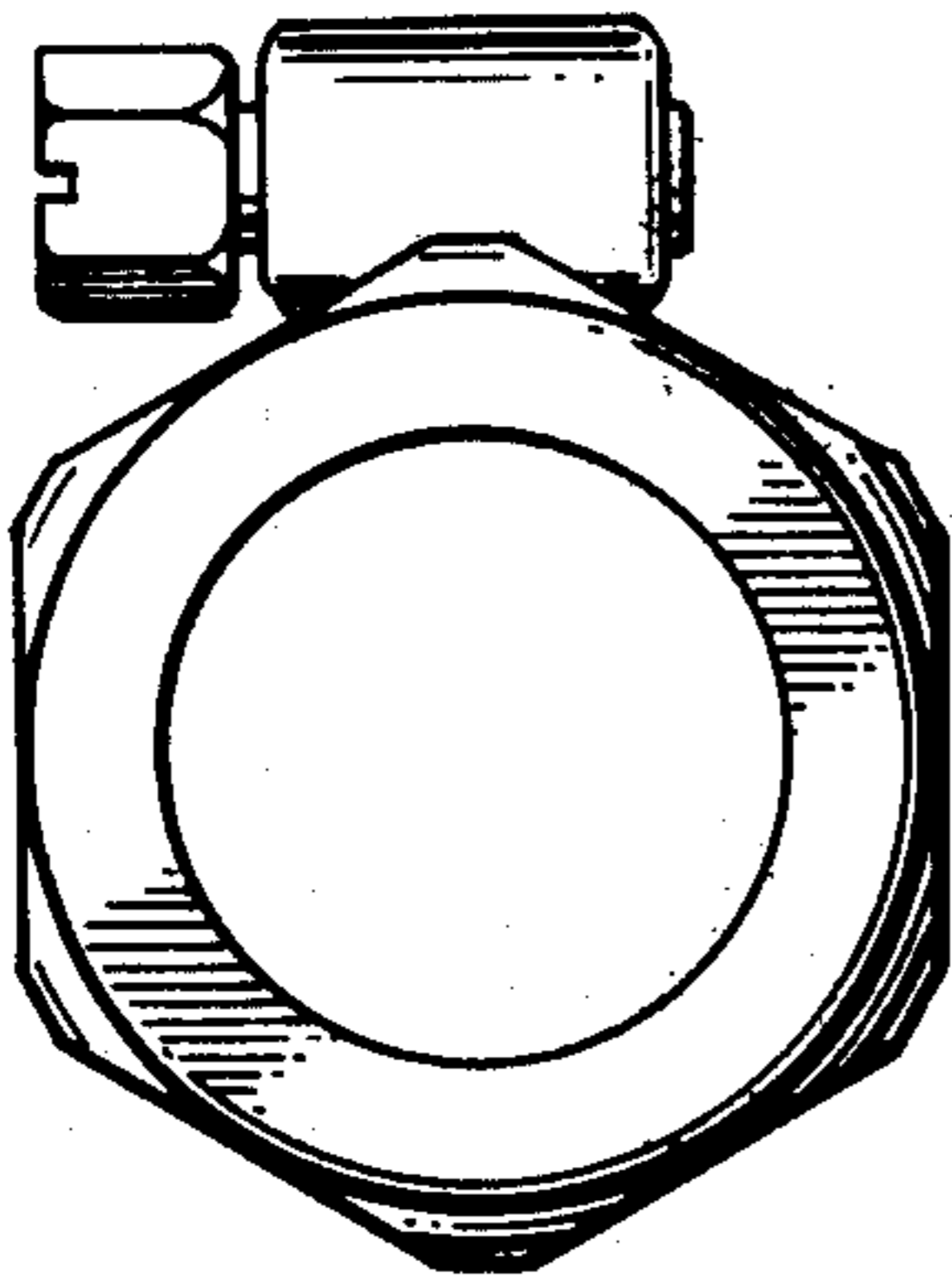


Fig. 4.

