

[54] **COMBINED CONSOLE AND TABLE FOR ELECTRONIC EQUIPMENT OR SIMILAR ARTICLE**

[75] Inventor: **Dennis C. Coon, Acton, Mass.**
[73] Assignee: **Honeywell Information Systems Inc.**
[**] Term: **14 Years**
[21] Appl. No.: **783,890**
[22] Filed: **Apr. 1, 1977**

[51] Int. Cl. **D14-02**
[52] U.S. Cl. **D14/44**
[58] Field of Search **D14/40, 41, 42, 43, D14/44, 45, 46, 47, 49, 50, 51; D13/40, 41**

[56] **References Cited**
U.S. PATENT DOCUMENTS

D. 234,600 3/1975 Giancarlo et al. D14/47
D. 235,068 5/1975 Burkhalter et al. D14/43

D. 238,492 1/1976 Clayton D14/44

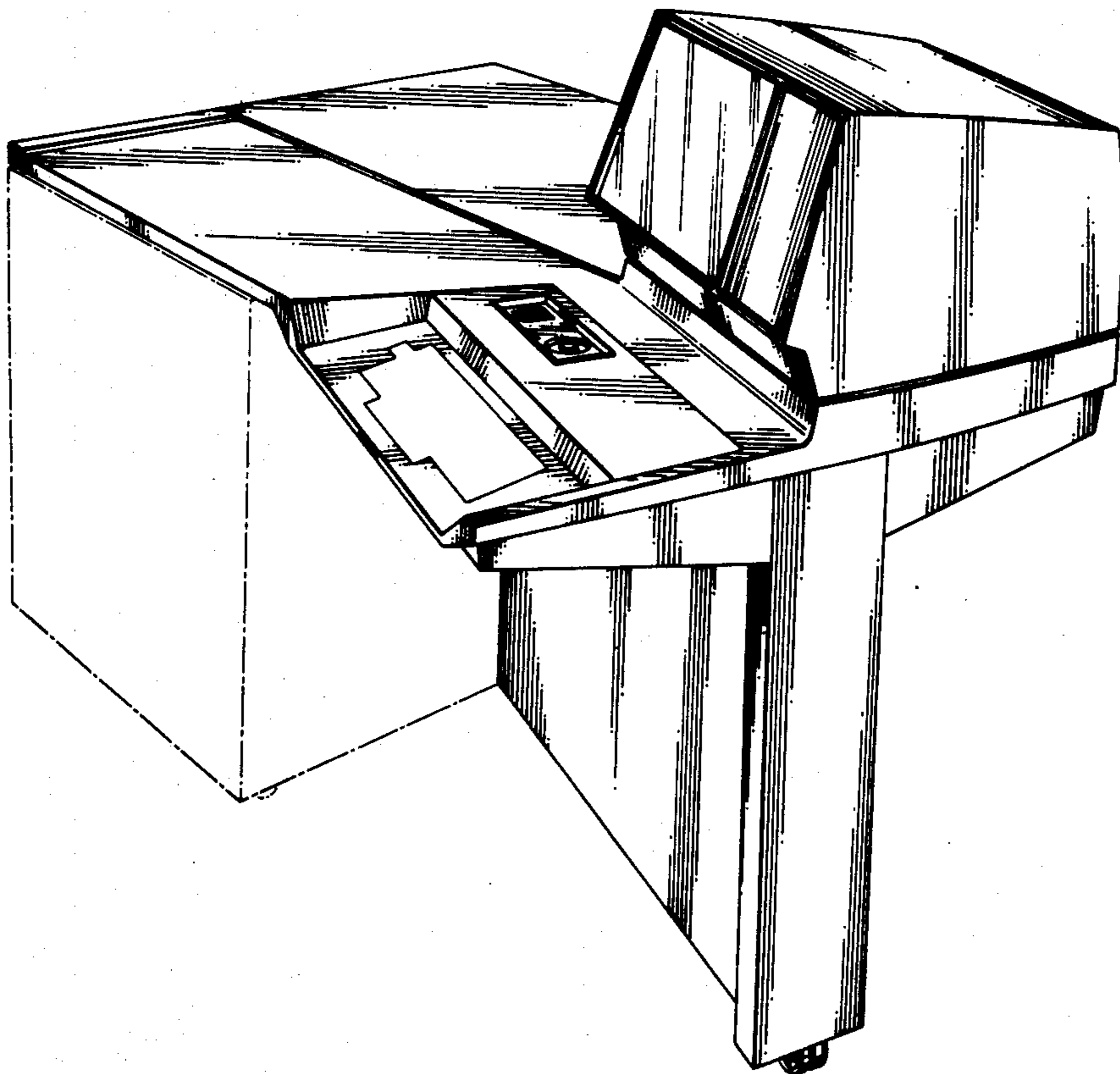
Primary Examiner—Susan J. Lucas
Attorney, Agent, or Firm—Faith F. Driscoll

[57] **CLAIM**

The ornamental design for a combined console and table for electronic equipment or similar article, substantially as shown and described.

DESCRIPTION

FIG. 1 is a perspective view showing the top, front and right hand side of a combined console and table for electronic equipment, showing my new design; FIG. 2 is a front elevational view; FIG. 3 is a top plan view; FIG. 4 is a rear elevational view; and FIG. 5 is a side elevational view showing the left side. The cabinet beneath the table portion of the claimed design is shown in broken lines for illustrative purposes only.



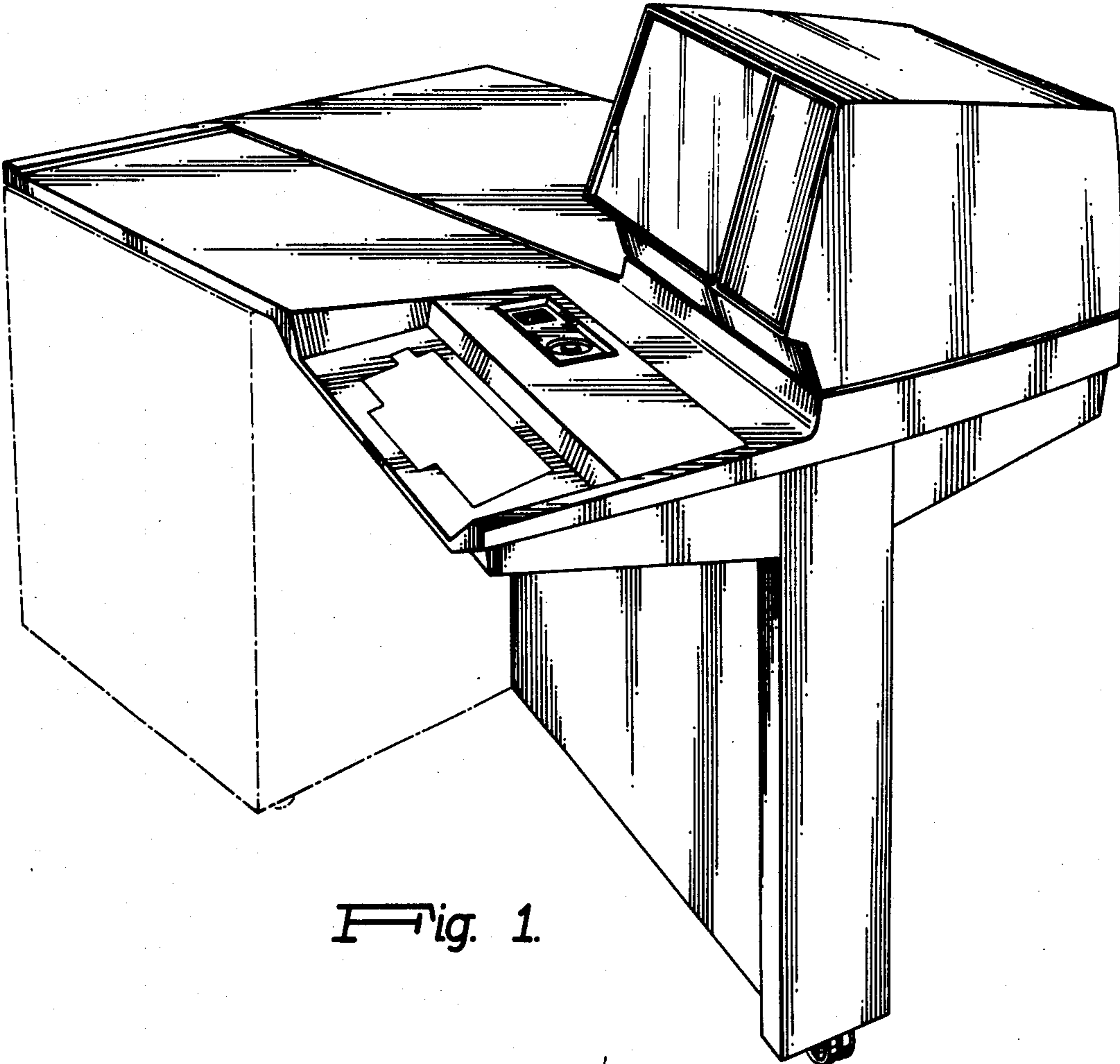


Fig. 1.

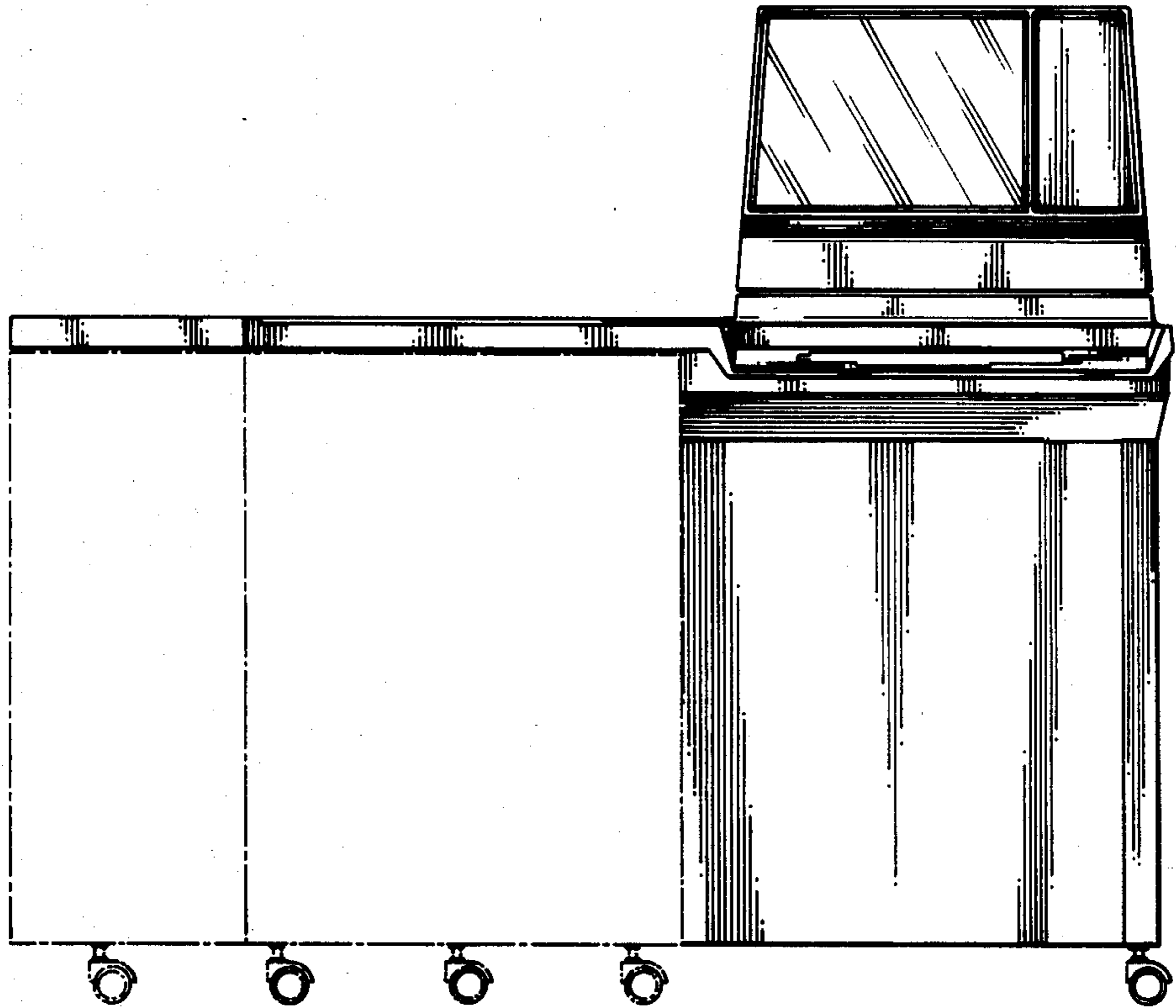


Fig. 2.

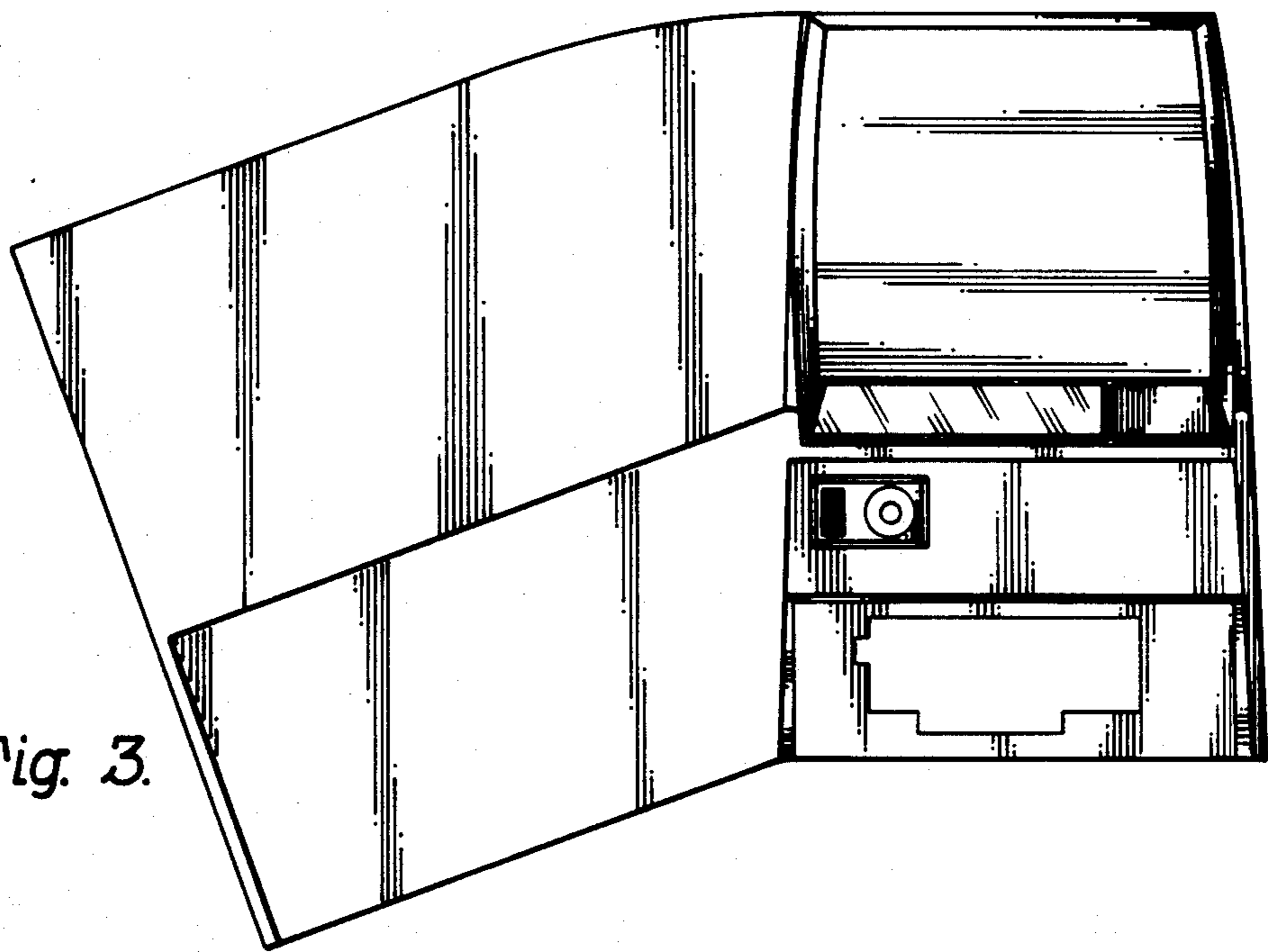


Fig. 3.

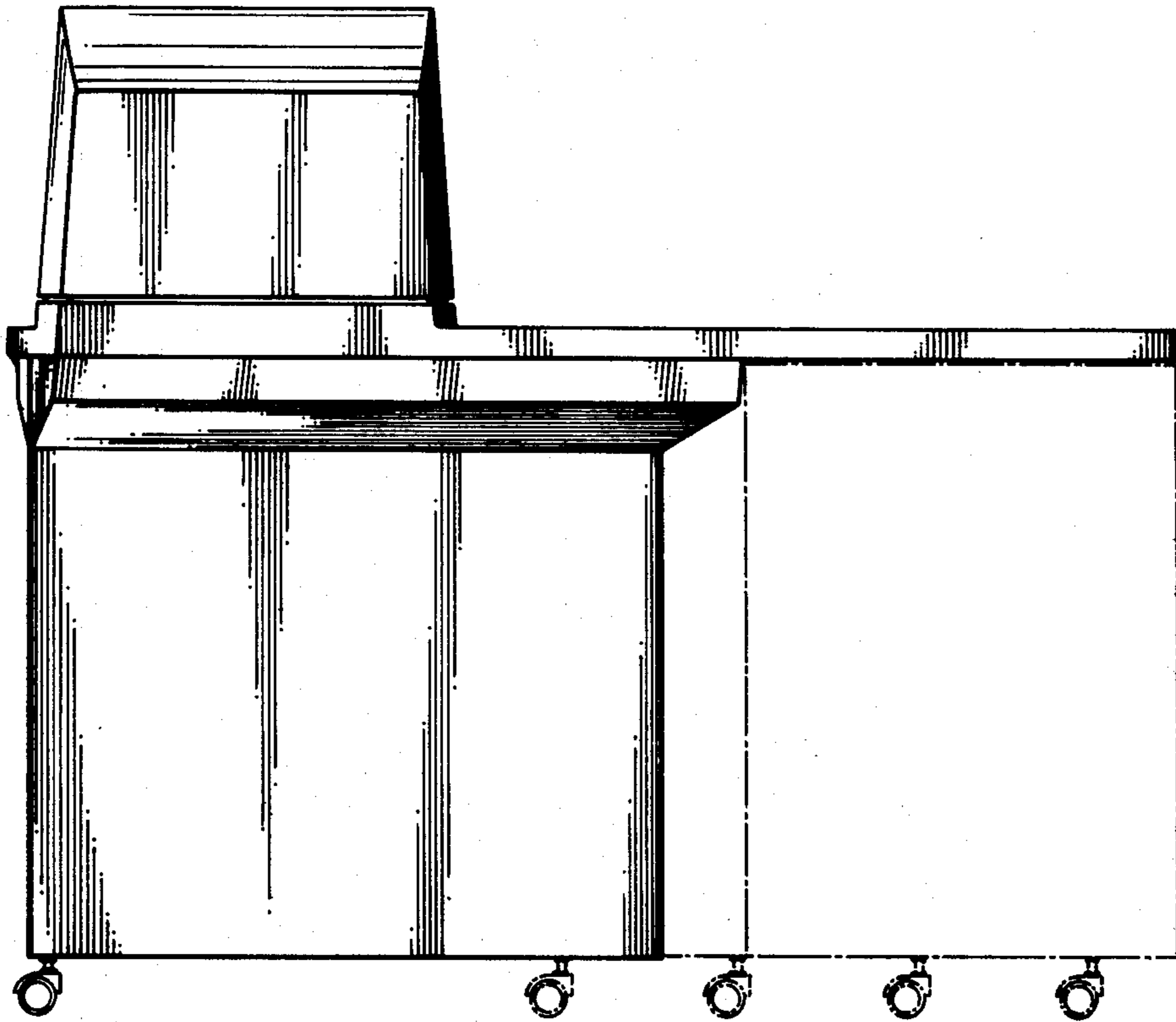


Fig. 4.

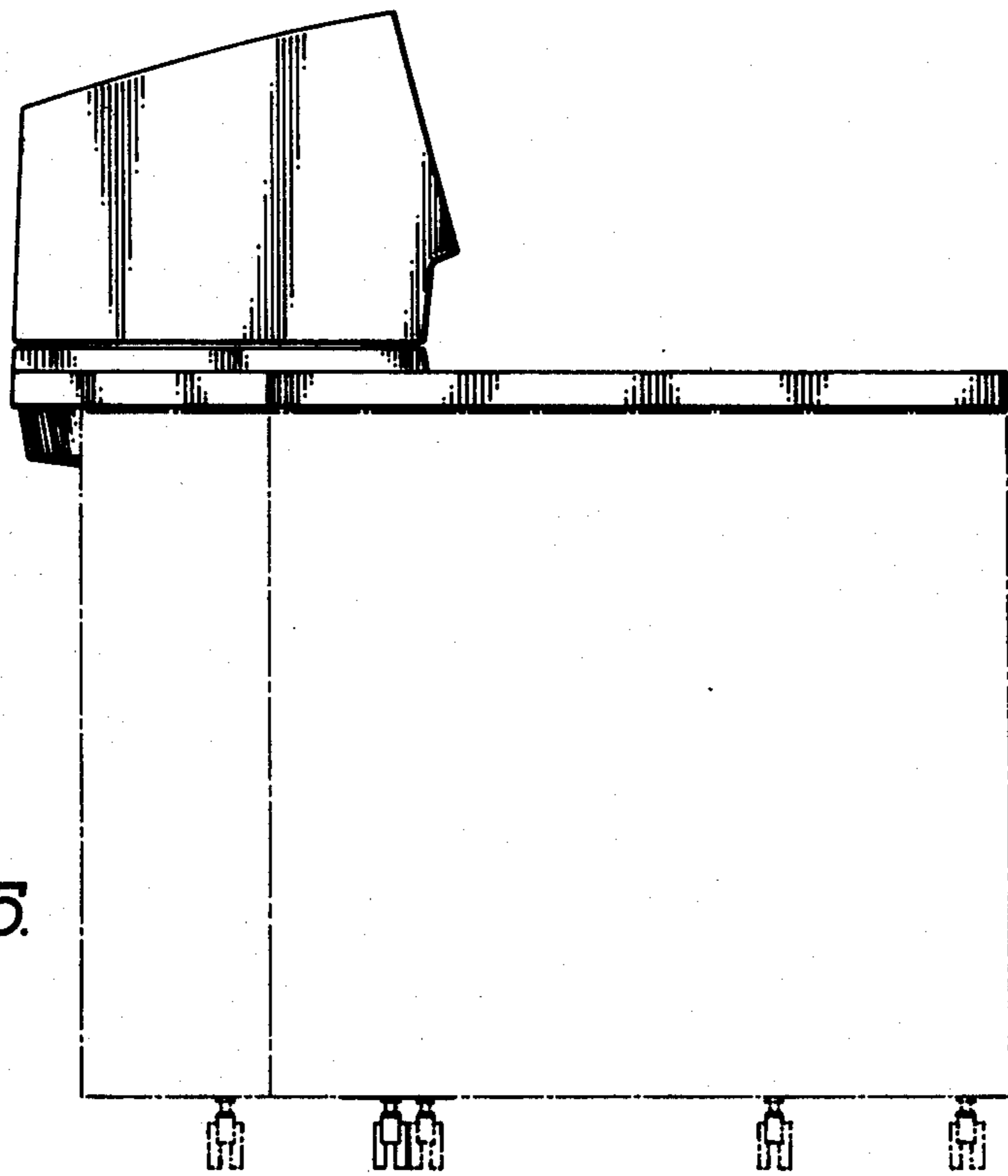


Fig. 5.