

[54] COMBINED VEHICLE REARVIEW MIRROR AND MOUNTING BRACKET

[75] Inventors: Richard D. Hutchinson, Jr., Holland; Wayne Vandenbrink; Philip D. Stegenga, both of West Olive, all of Mich.

[73] Assignee: Donnelly Mirrors, Inc., Holland, Mich.

[**] Term: 14 Years

[21] Appl. No.: 822,086

[22] Filed: Aug. 5, 1977

[51] Int. Cl. D12-16

[52] U.S. Cl. D12/187

[58] Field of Search D12/187; 248/475 R, 248/476, 479, 481, 484-487, 489; 296/84 B; 350/307, 308, 293

[56] References Cited

U.S. PATENT DOCUMENTS

1,910,864	5/1933	Szyminski	D12/187
3,667,718	6/1972	Goslin et al.	248/487
3,764,201	10/1973	Haile	350/307
3,833,198	9/1974	Holzman	248/476
3,981,474	9/1976	Szilagy	D12/187

4,030,692 6/1977 Szilagy 248/487

FOREIGN PATENT DOCUMENTS

1096462 12/1967 United Kingdom 248/481

OTHER PUBLICATIONS

J. C. Whitney Catalog No. 354A, ©1976, p. 50, Low Mount Truck Mirror, center of page.

Primary Examiner—James M. Gandy
Attorney, Agent, or Firm—Peter P. Price

[57] CLAIM

The ornamental design for combined vehicle rearview mirror and mounting bracket, substantially as shown.

DESCRIPTION

FIG. 1 is a front, perspective view of a combined vehicle rearview mirror and mounting bracket showing our new design;

FIG. 2 is a side, elevational view thereof to an enlarged scale;

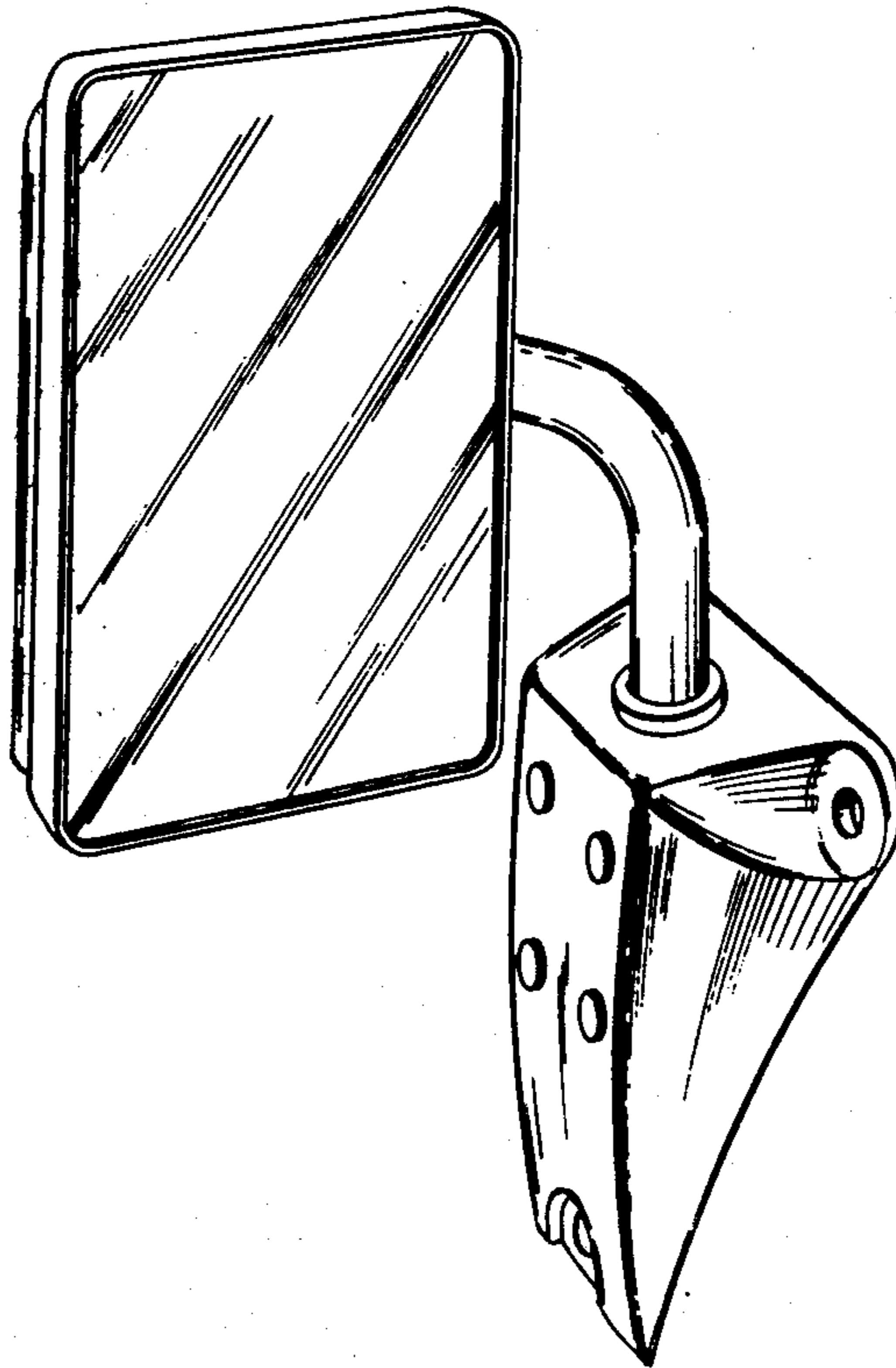
FIG. 3 is a front, elevational view of FIG. 2;

FIG. 4 is a top, plan view of FIG. 2;

FIG. 5 is a rear, elevational view of FIG. 2;

FIG. 6 is a side, elevational view opposite to that shown in FIG. 2; and

FIG. 7 is a bottom, plan view of FIG. 2.



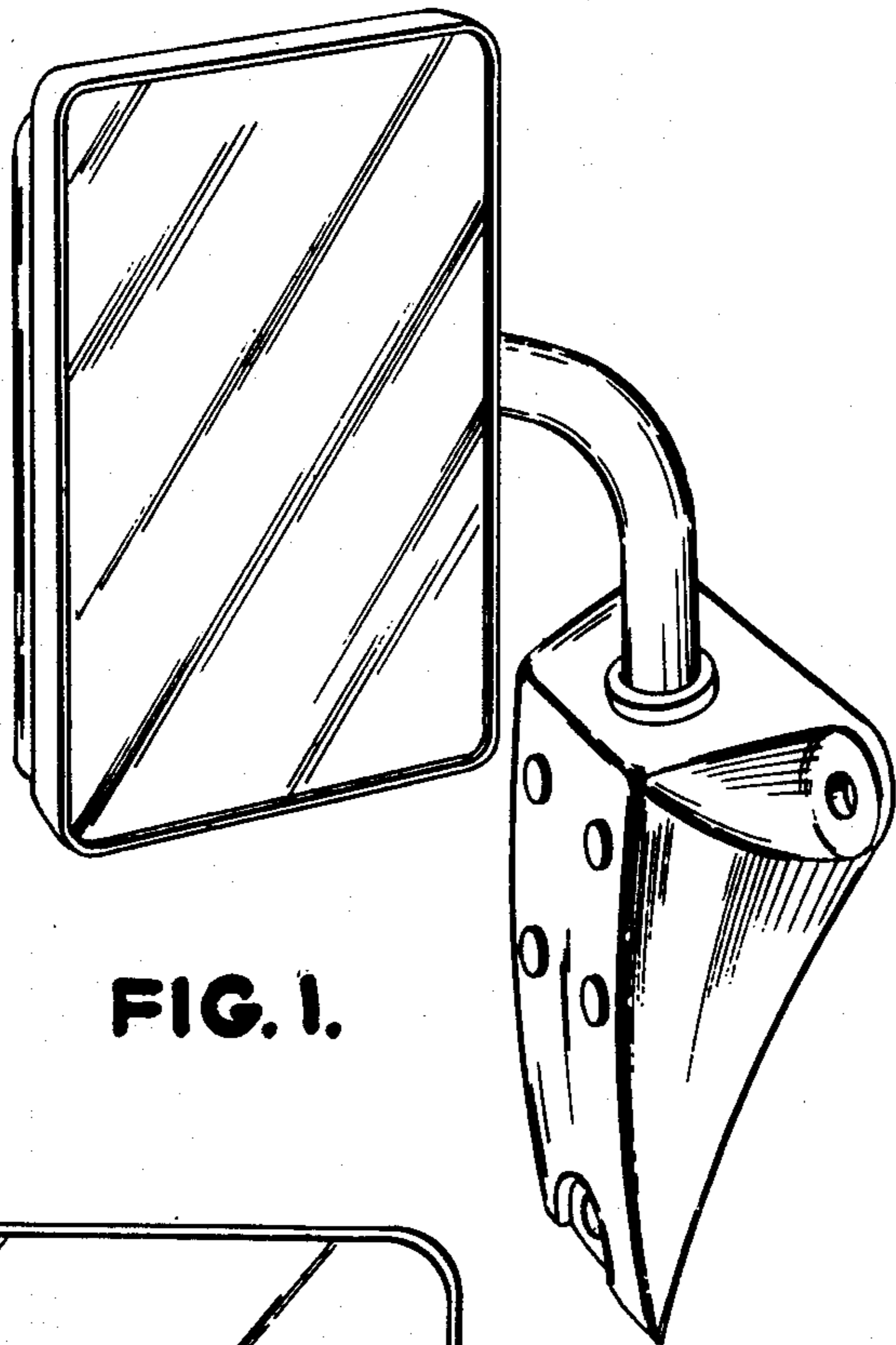


FIG. 1.

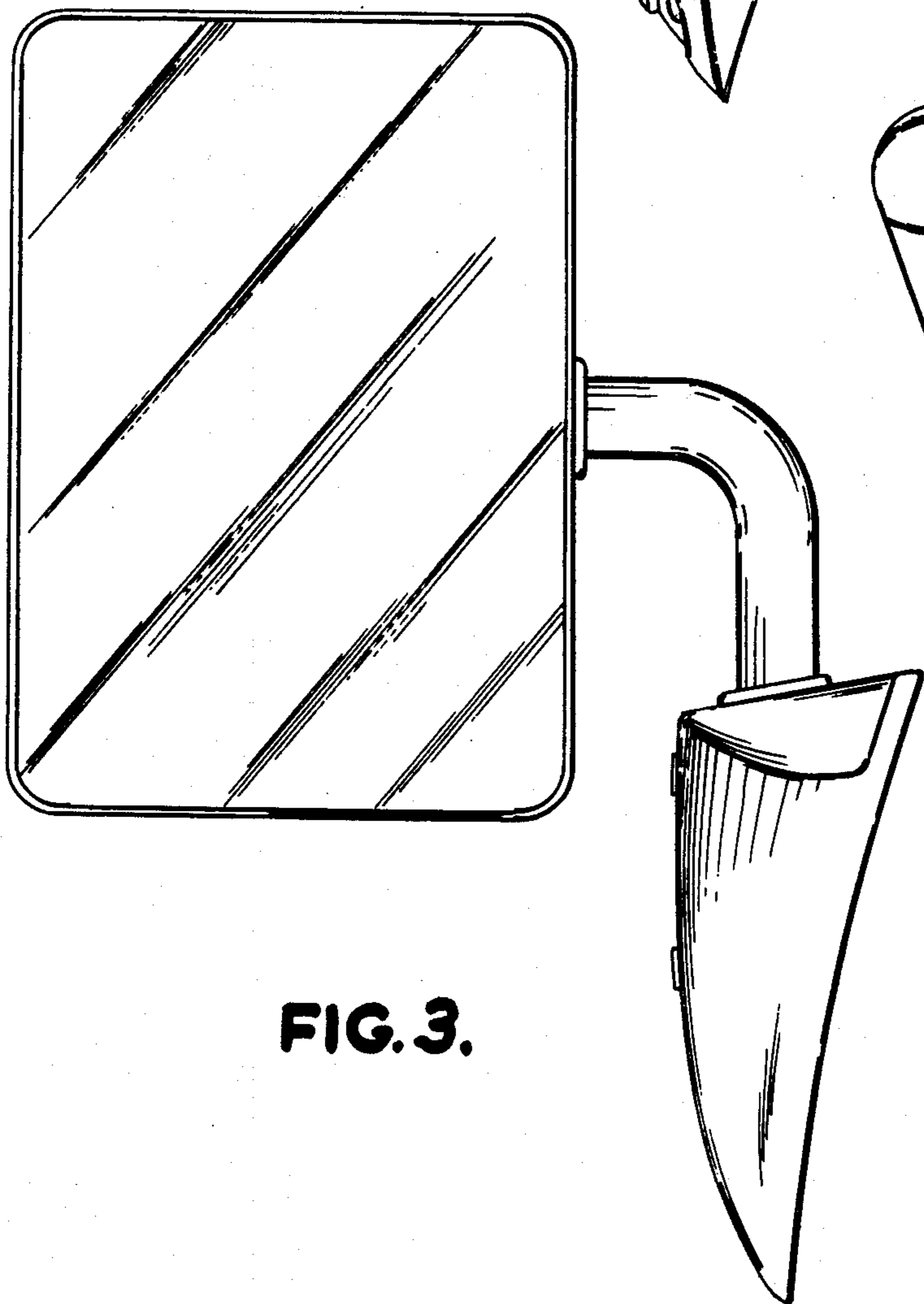


FIG. 3.

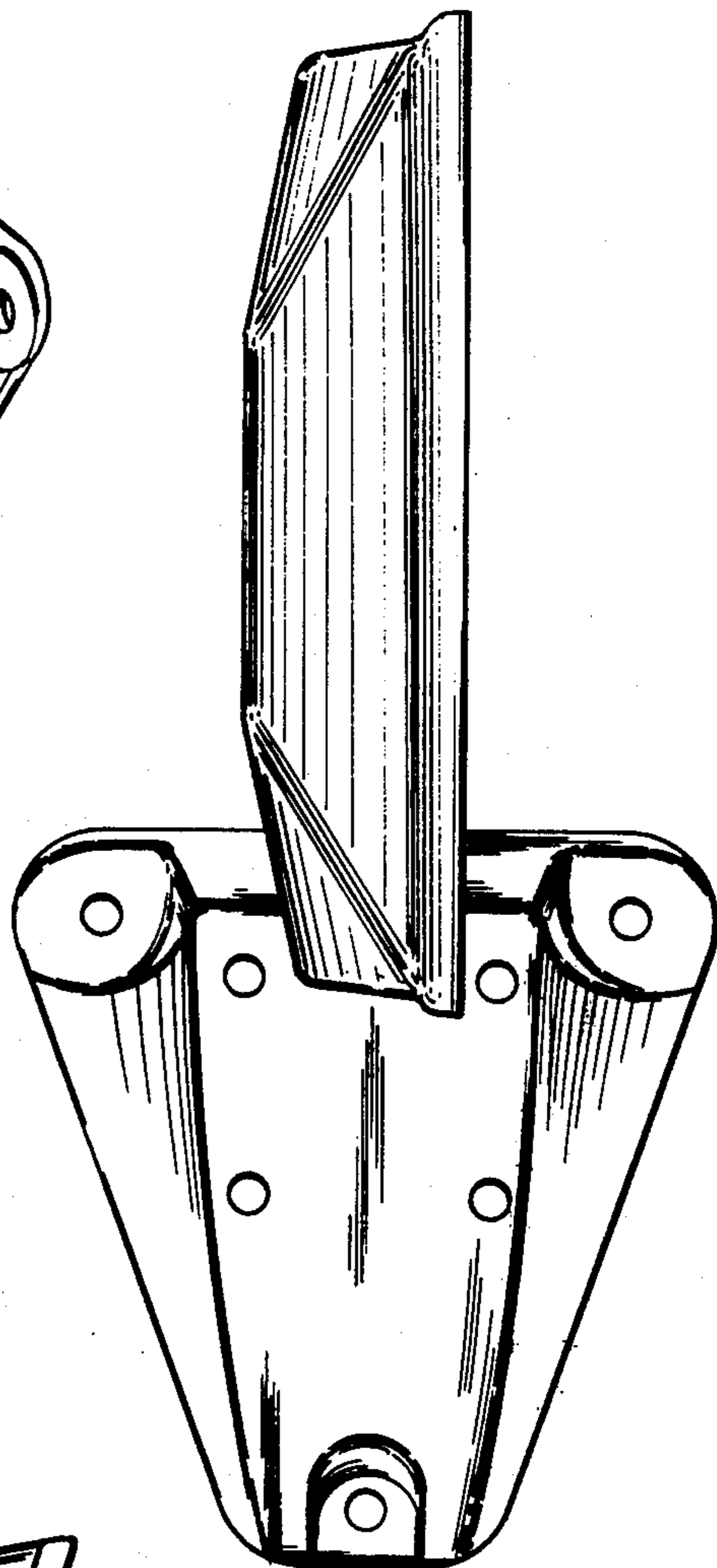


FIG. 2.

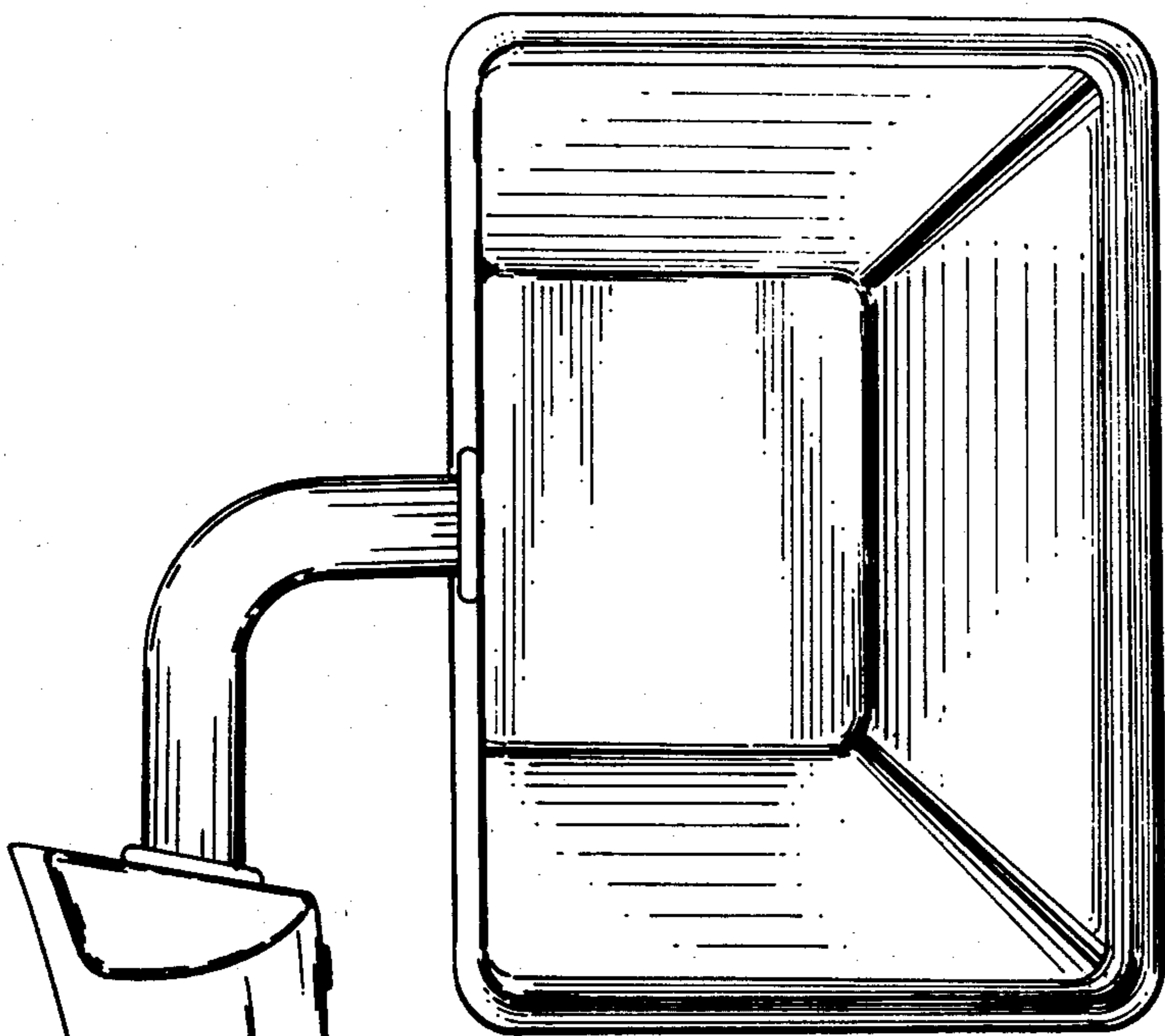


FIG. 5.

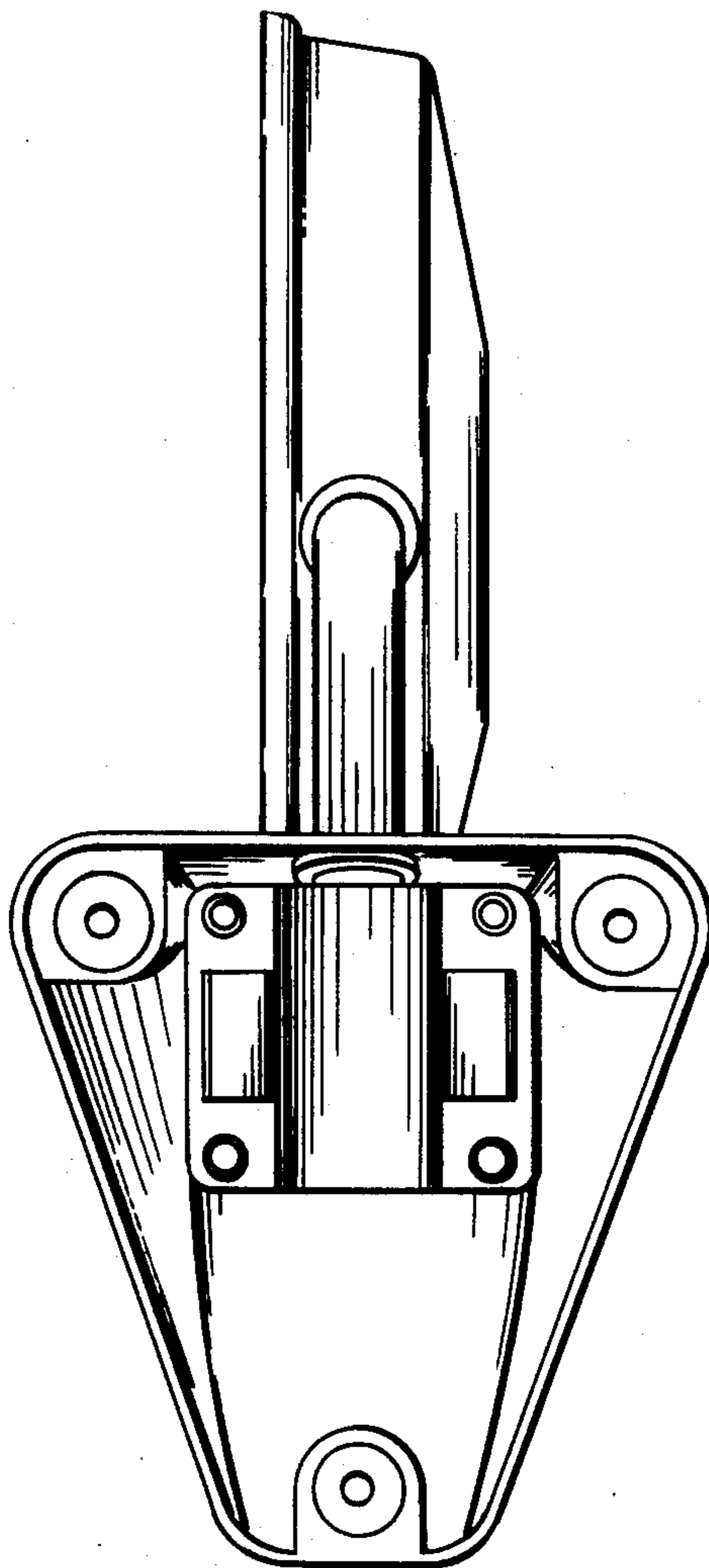


FIG. 6.

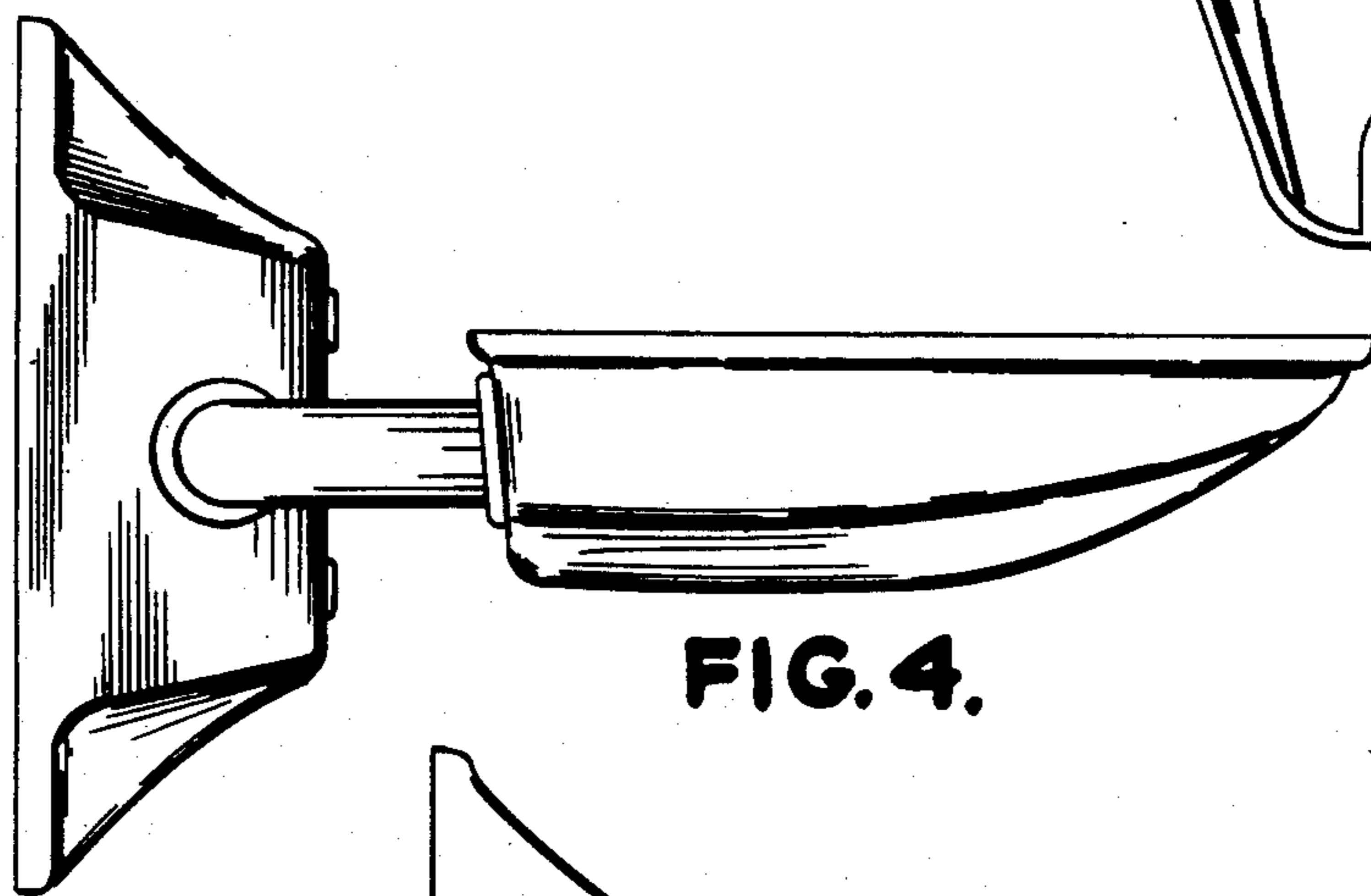


FIG. 4.

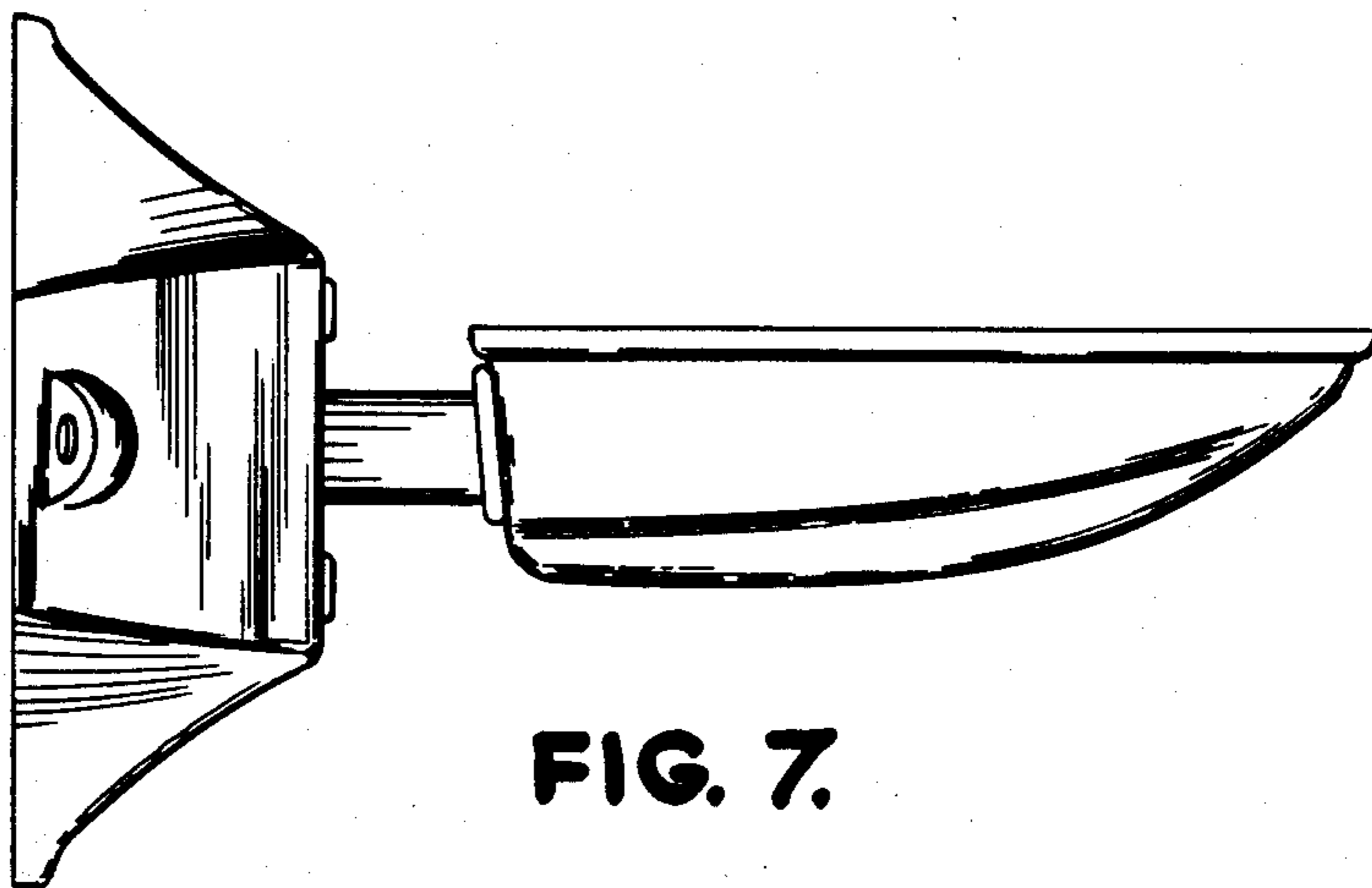


FIG. 7.