

[54] WEIGHING SCALE

[75] Inventor: Bengt Björk, Malmö, Sweden

[73] Assignee: Lindells Vagfabrik Aktiebolag, Lund, Sweden

[**] Term: 14 Years

[21] Appl. No.: 758,319

[22] Filed: Jan. 10, 1977

[51] Int. Cl. D10-04

[52] U.S. Cl. D10/93

[58] Field of Search D10/87-94; 177/246, 247, 241, 126.7

[56] References Cited

U.S. PATENT DOCUMENTS

D. 139,923 1/1945 Dreyfuss D10/93

D. 183,069	6/1958	Spear	D10/92
D. 205,159	6/1966	Reinecke	D10/93
D. 228,413	9/1973	Hutchinson	D10/93
3,506,078	4/1970	Homs	177/246
3,596,725	11/1968	Homs	177/246
3,827,515	8/1974	Hutchinson	177/241

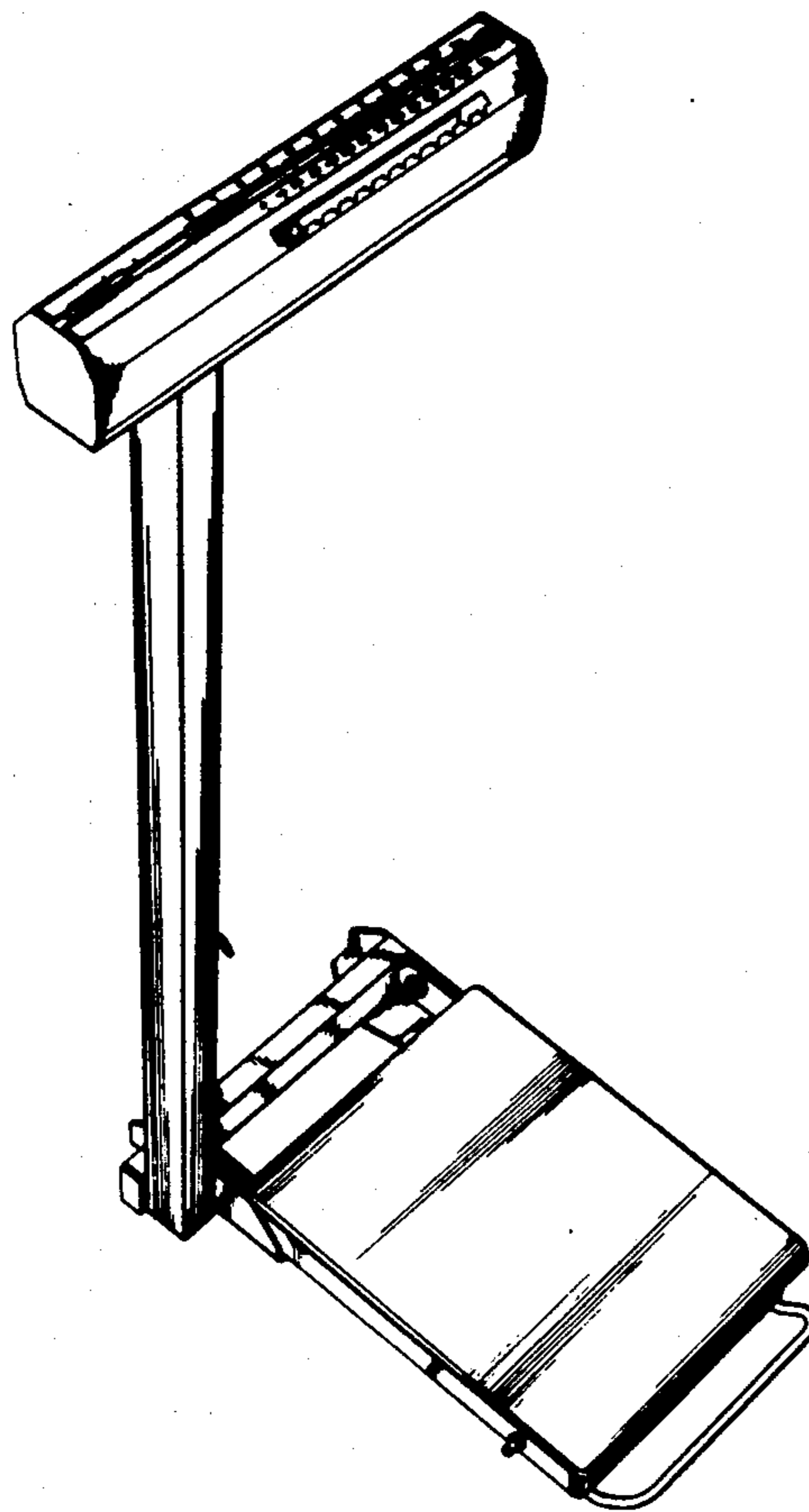
Primary Examiner—Nelson C. Holtje
Attorney, Agent, or Firm—Joseph Weingarten

[57] CLAIM

The ornamental design for a weighing scale, substantially as shown and described.

DESCRIPTION

FIG. 1 is a left front perspective view of a weighing scale showing my new design; FIG. 2 is a right rear perspective view thereof; and FIG. 3 is a right front perspective view thereof with the platform in the folded or raised position.



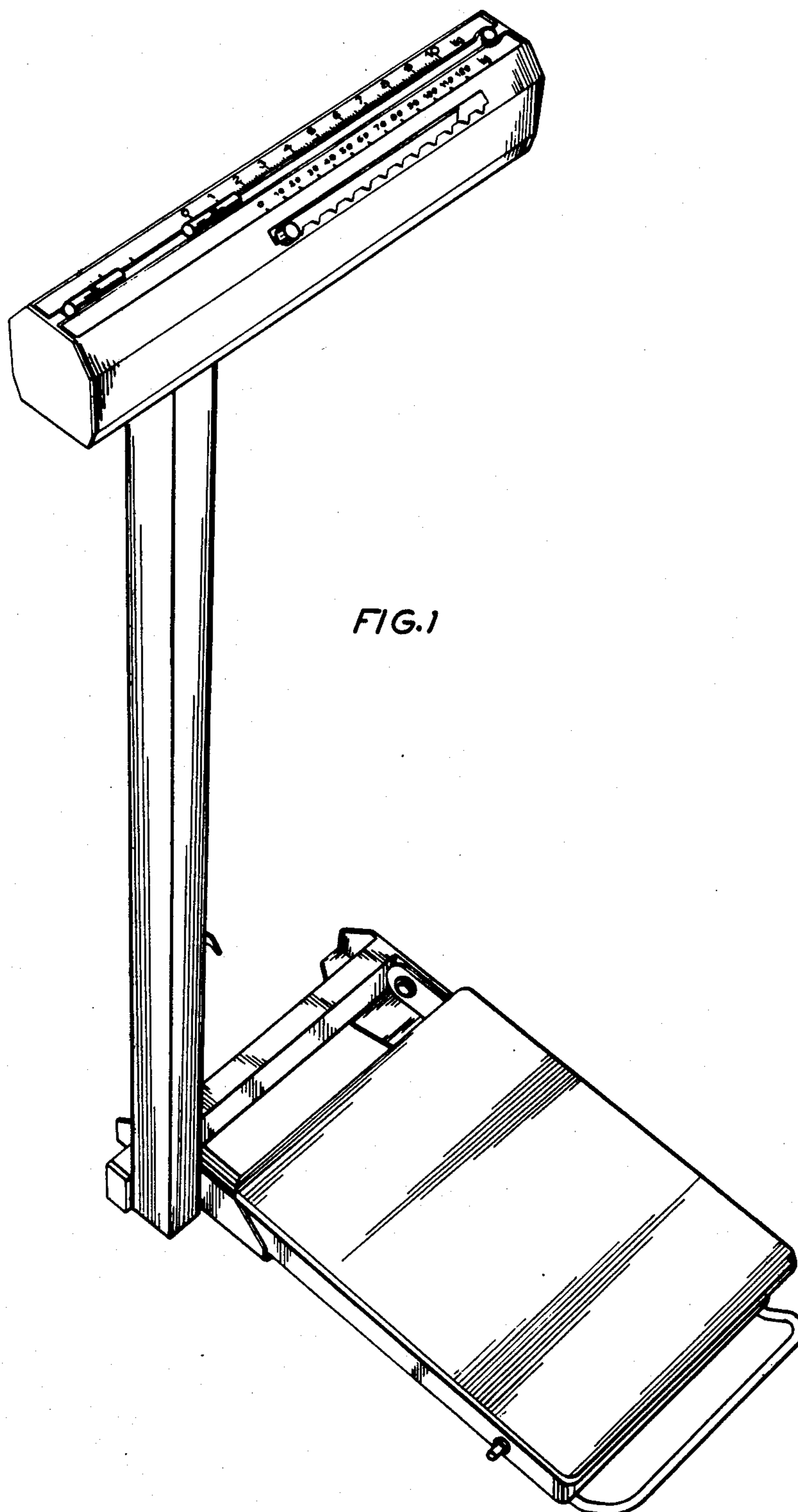


FIG. 1

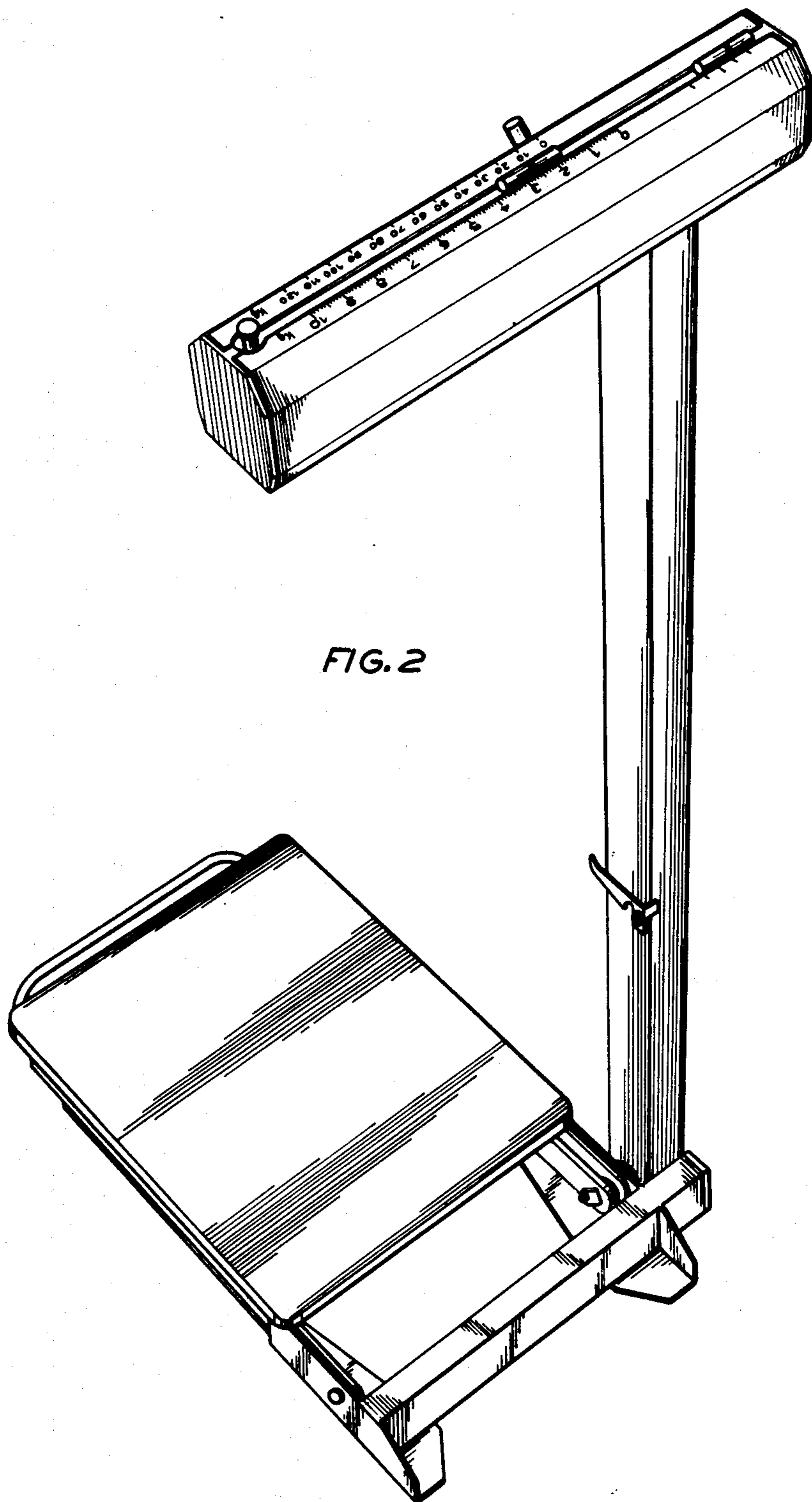


FIG. 2

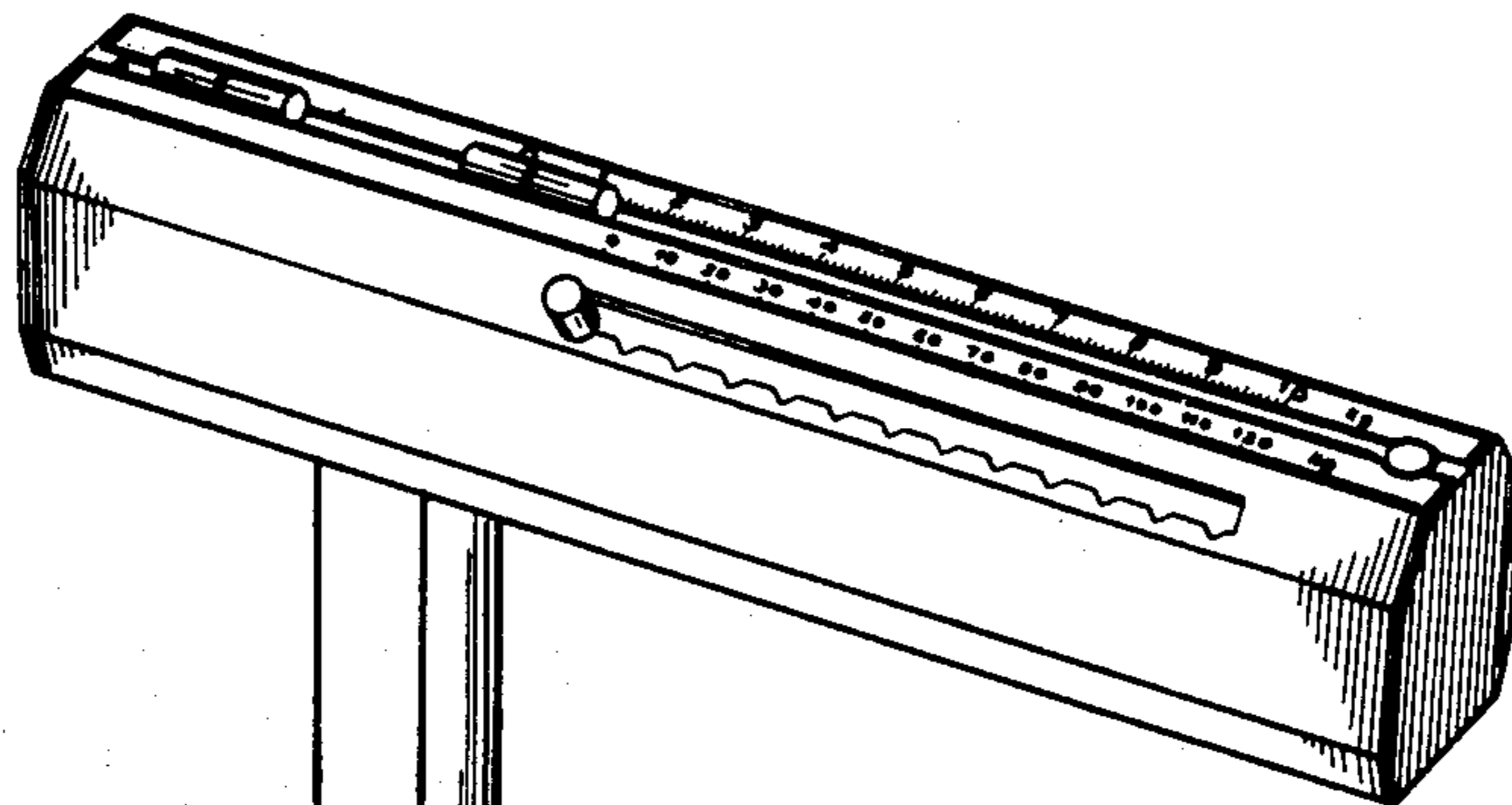


FIG. 3