

[54] REEL FOR WINDING LINE
[76] Inventor: John F. McClure, 810 Peach Tree,
Rochester, Mich. 48063
[**] Term: 14 Years
[21] Appl. No.: 828,162
[22] Filed: Aug. 26, 1977
[51] Int. Cl. D8-99
[52] U.S. Cl. D8/359; D22/25
[58] Field of Search 242/104, 96, 115, 117;
43/20; D22/25; D8/358, 359
[56] References Cited
U.S. PATENT DOCUMENTS
836,444 11/1906 Goldenberg D8/359 X

2,504,550 4/1950 Letzkus D8/359 X
2,926,864 3/1960 Kuehn D8/359 X

Primary Examiner—A. Hugo Word
Attorney, Agent, or Firm—James D. Halsey, Jr.

[57] CLAIM

The original design for a reel for winding line, as shown and described.

DESCRIPTION

FIG. 1 is a front elevational view of a reel for winding line, embodying my new design, it being noted that the rear elevational view is a mirror image thereof; FIG. 2 is a right side elevational view thereof; FIG. 3 is a left side elevational view thereof; FIG. 4 is a top plan view thereof; and FIG. 5 is a bottom plan view thereof.

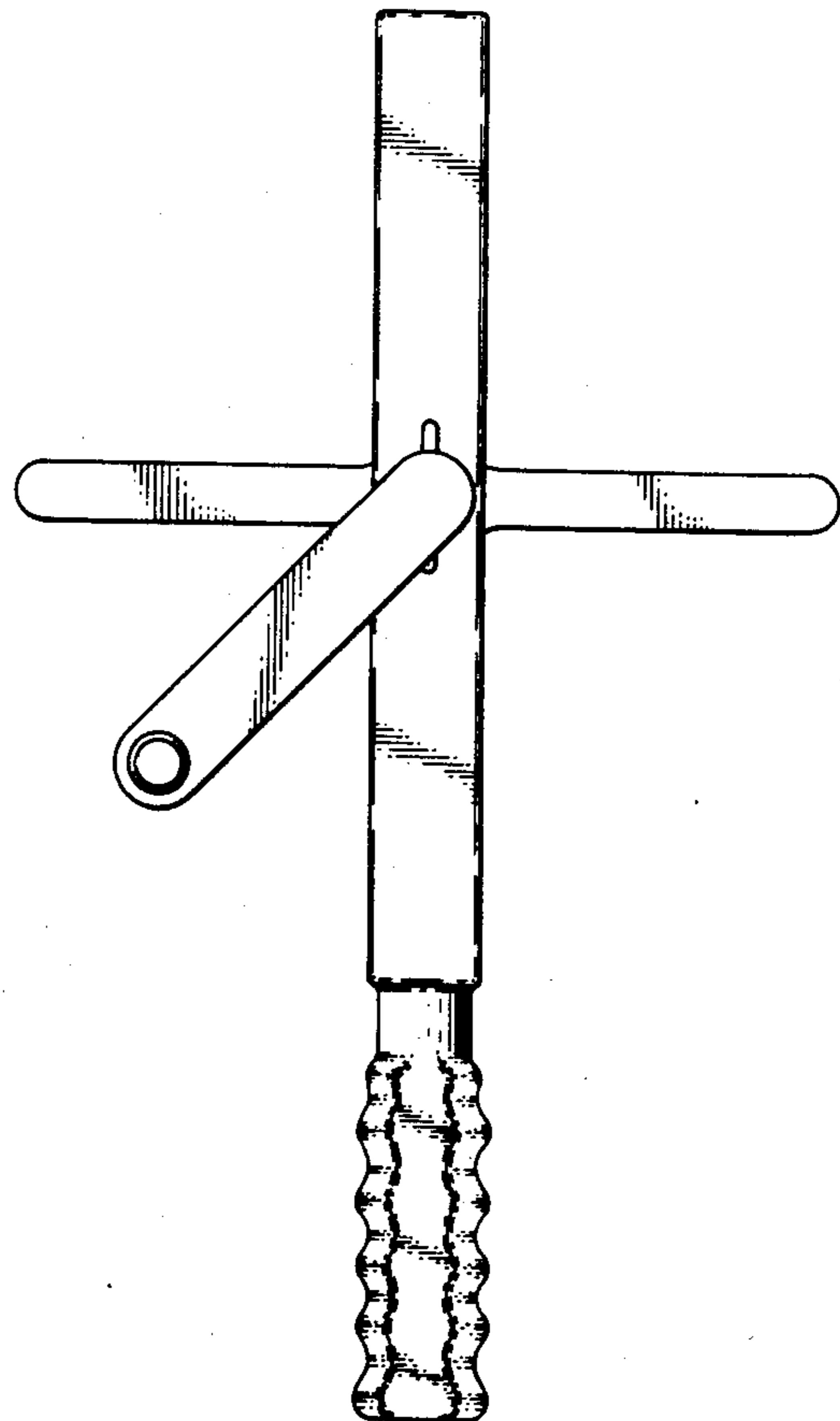
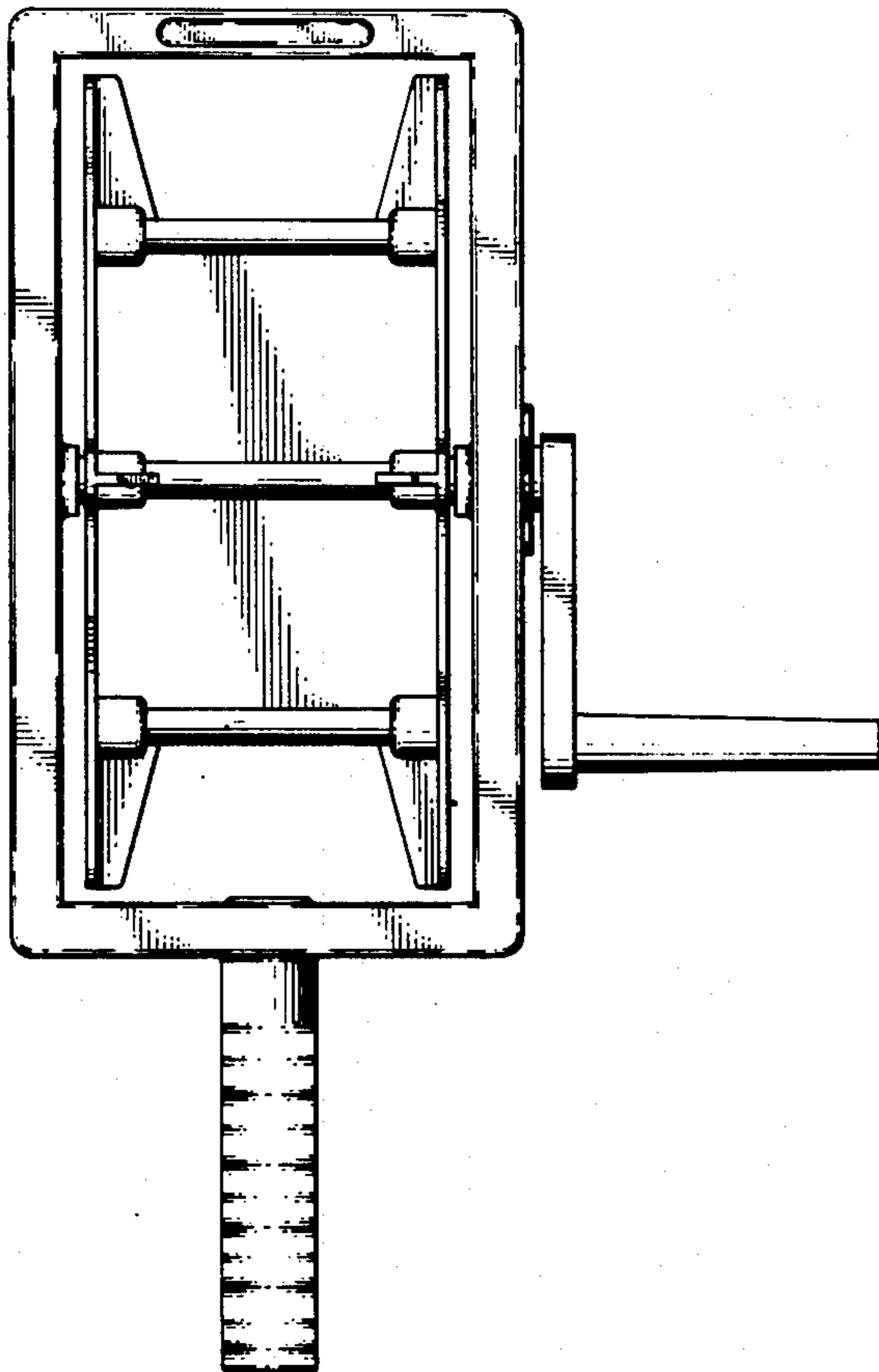


FIG. 2.

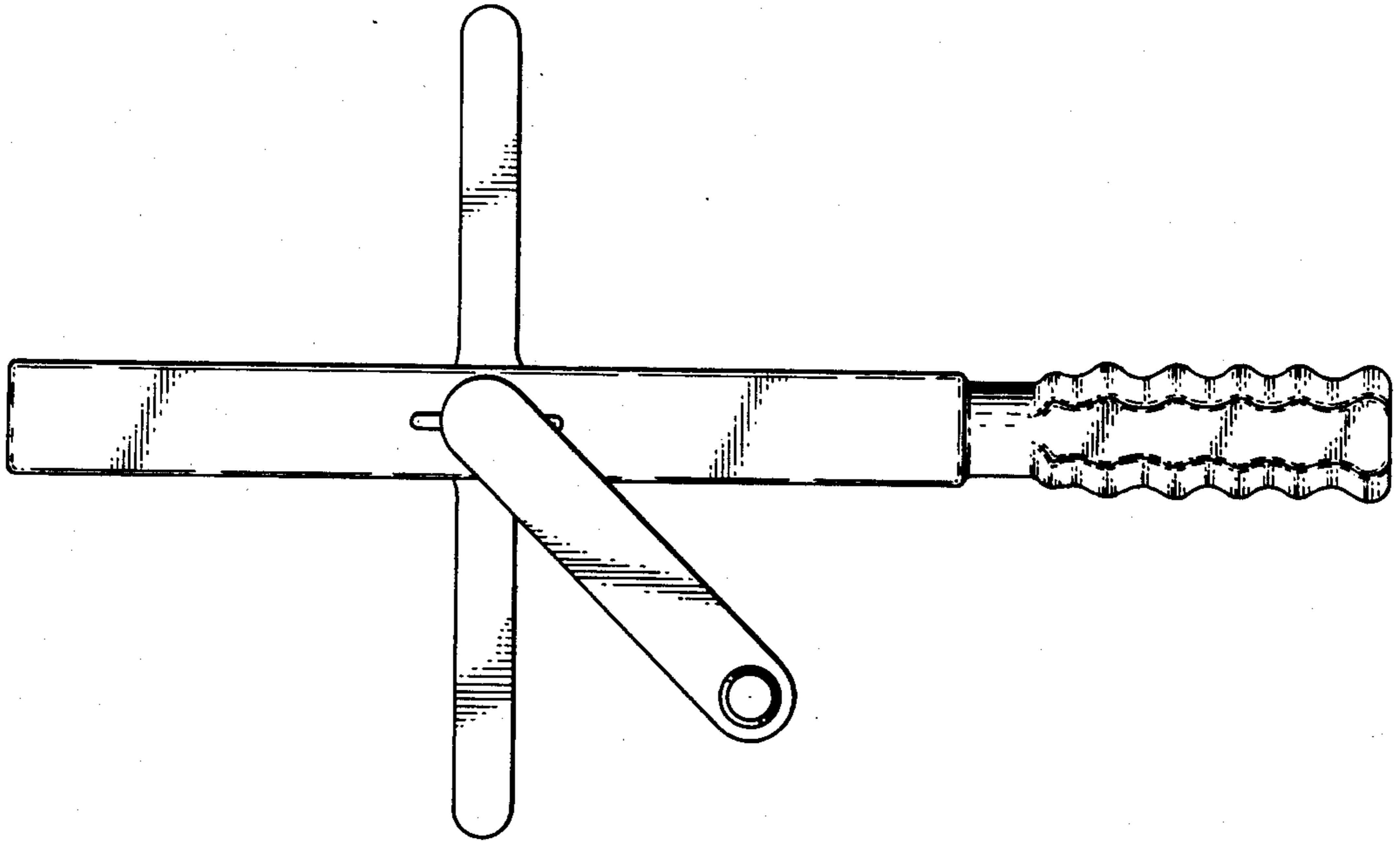


FIG. 1.

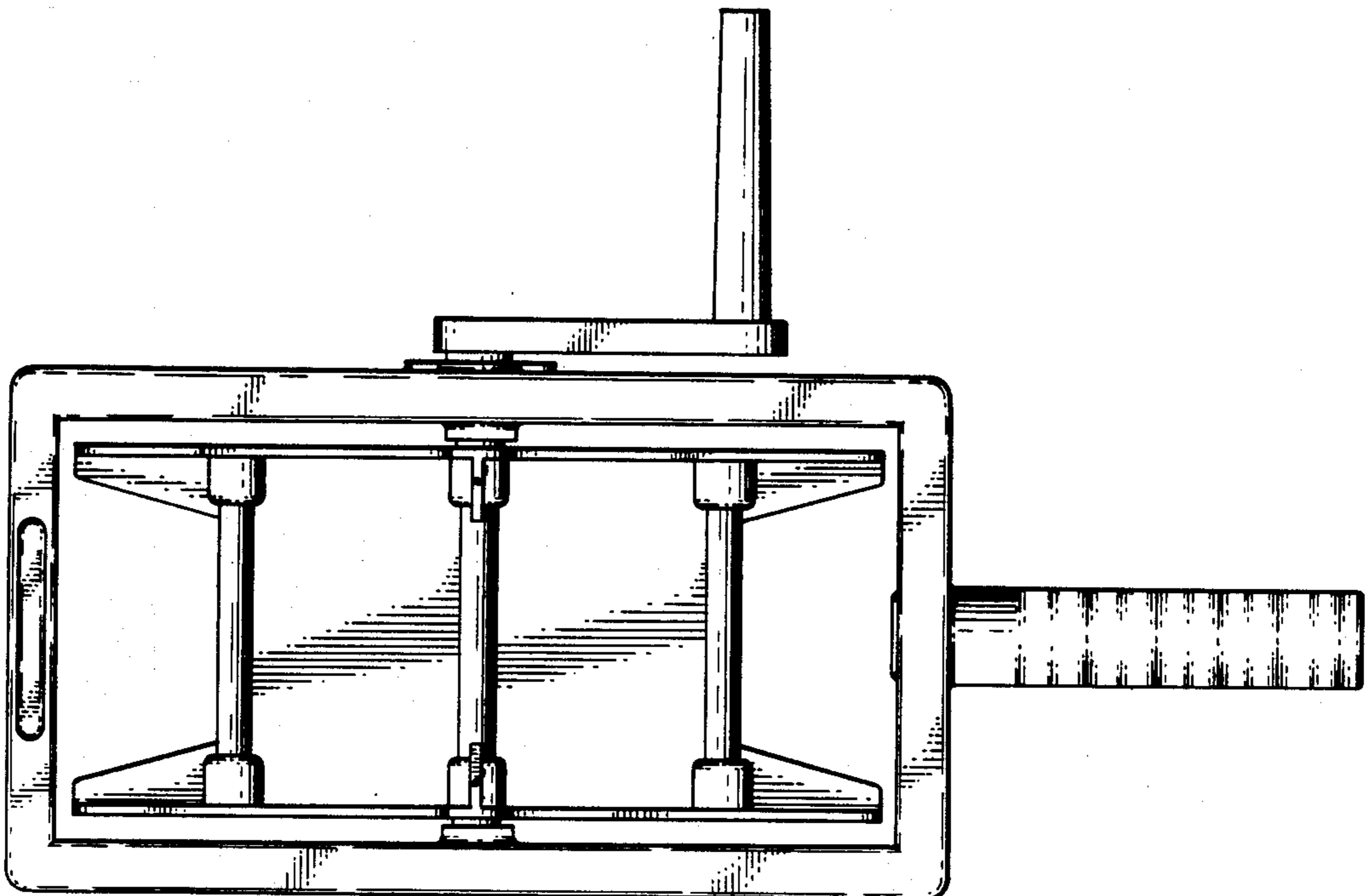


FIG. 3.

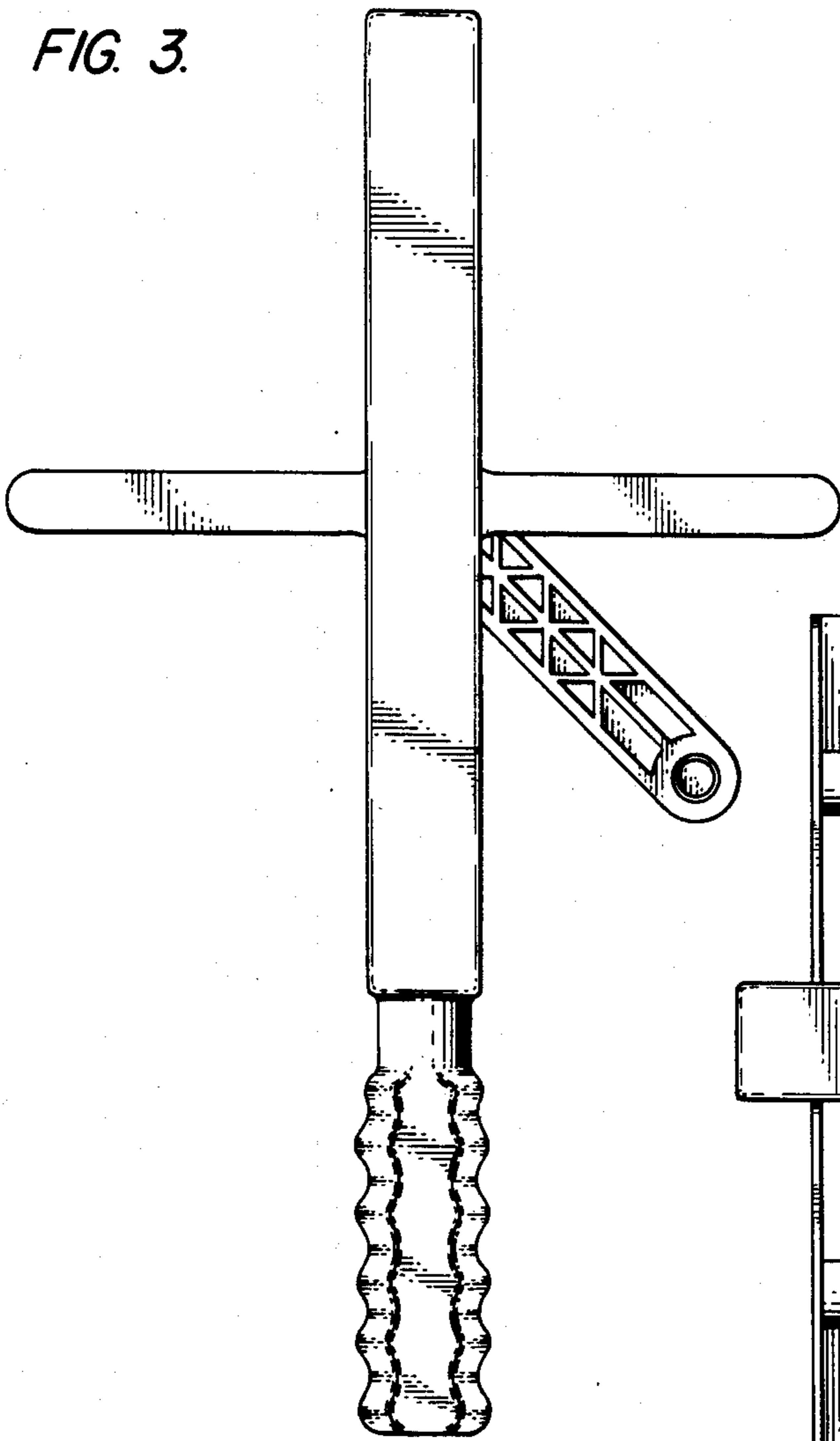


FIG. 4.

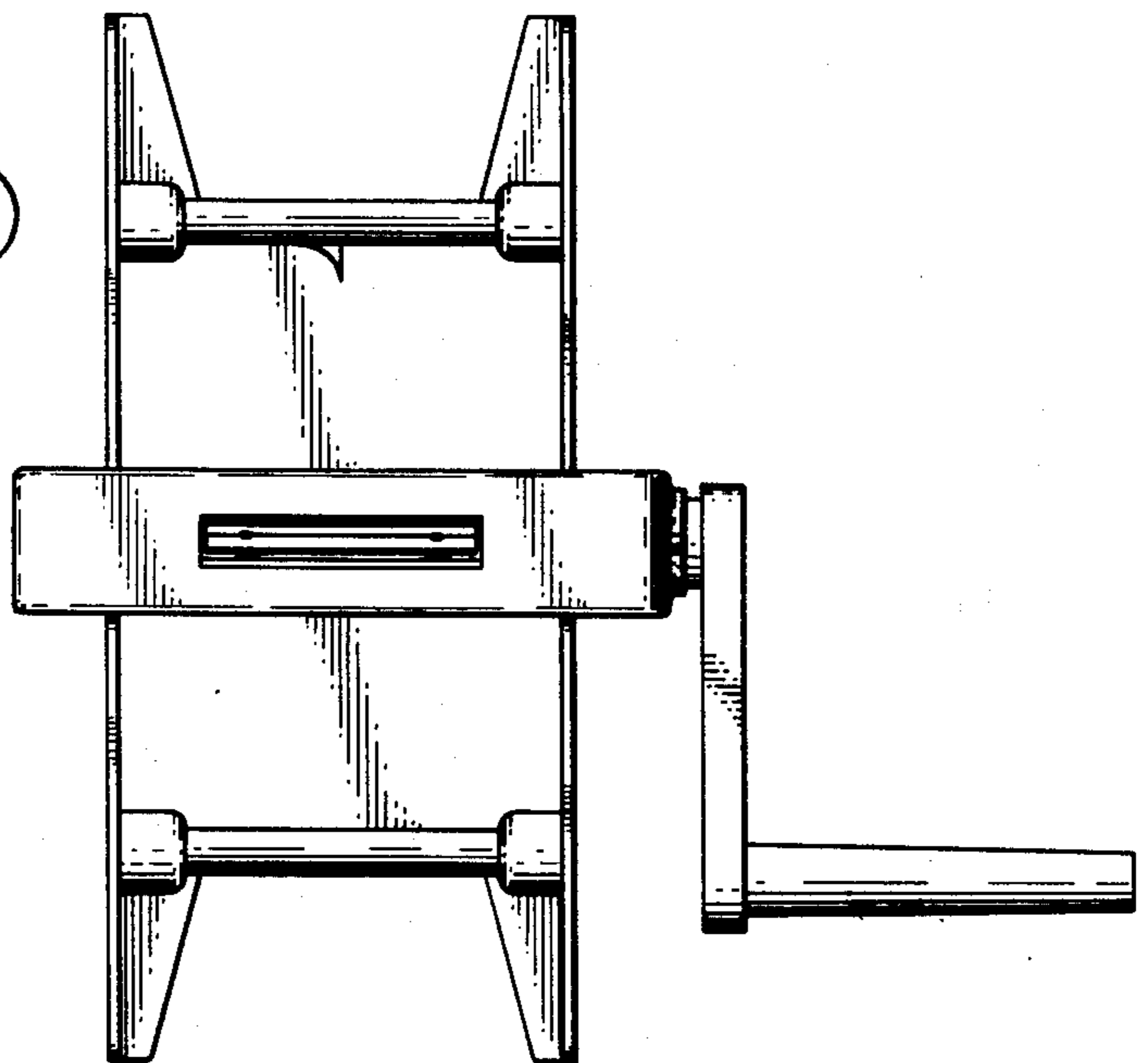


FIG. 5.

