

[54] TOOL RACK

[75] Inventor: Ole S. Ravn, Farum, Denmark

[73] Assignee: Stig Ravn A/S, Farum, Denmark

[**] Term: 14 Years

[21] Appl. No.: 884,040

[22] Filed: Mar. 6, 1978

[30] Foreign Application Priority Data

Sep. 5, 1977 [DK] Denmark 674/77

[51] Int. Cl. D6-04

[52] U.S. Cl. D6/125; D6/157;
D6/188; D24/32

[58] Field of Search D6/85, 140, 142, 146,
D6/151, 157, 180, 181, 184, 186, 188, 189, 125,
130; D24/32; 206/44 R, 45.14, 562-564;
211/13, 60 T, 69, 69.1, 74

[56]

References Cited

U.S. PATENT DOCUMENTS

D. 235,714 7/1975 Lesser D6/85

FOREIGN PATENT DOCUMENTS

2549554 5/1977 Fed. Rep. of Germany 211/60 T

1105975 12/1955 France 211/69

Primary Examiner—Wallace R. Burke

Assistant Examiner—B. J. Bullock

[57]

CLAIM

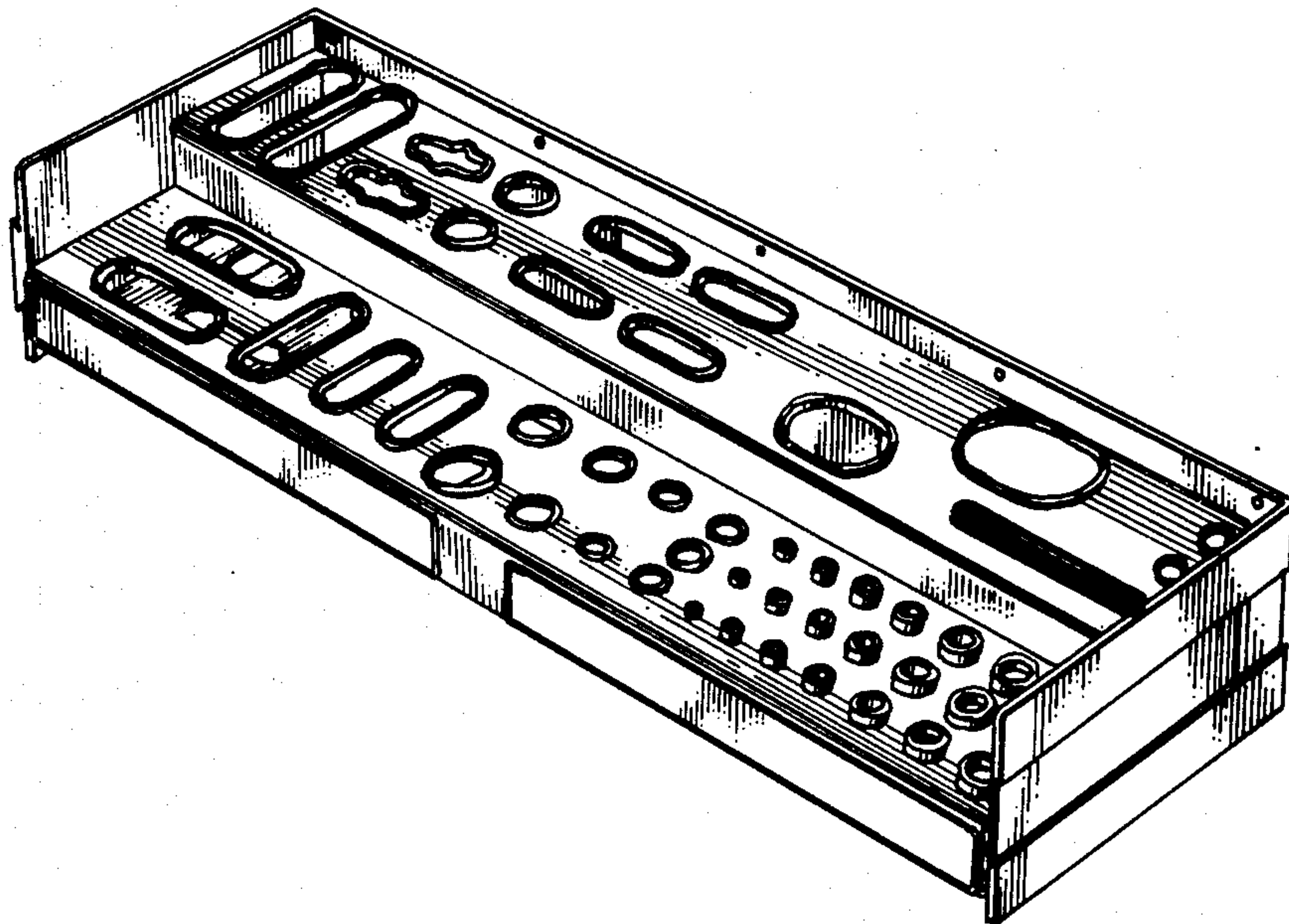
The ornamental design for a tool rack, as shown and described.

DESCRIPTION

FIG. 1 is a top, front perspective view of a tool rack embodying my new design,

FIG. 2 is a top front perspective view taken from the side opposite that shown in FIG. 1,

FIG. 3 is an inverted bottom rear view thereof.



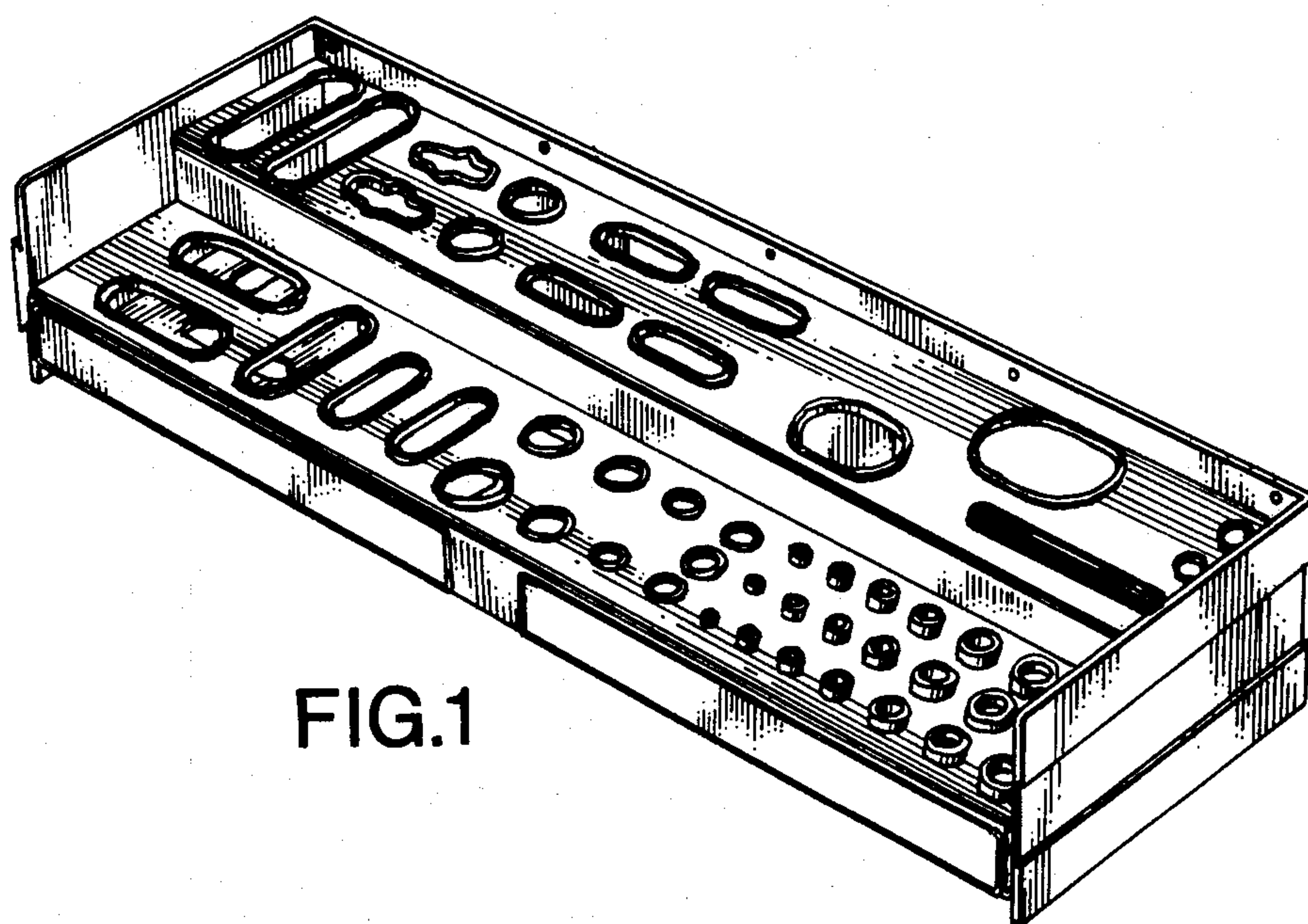


FIG.1

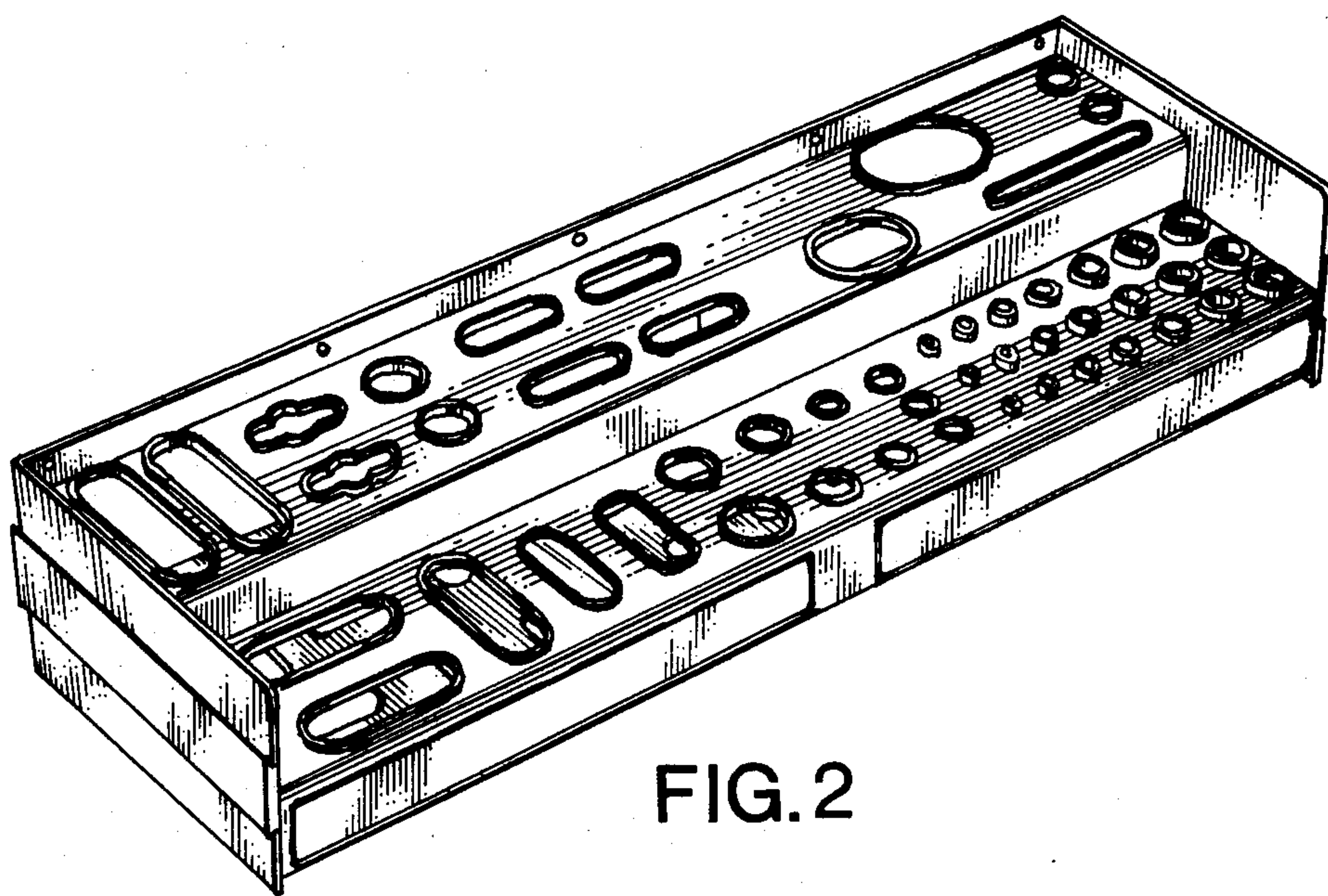


FIG. 2

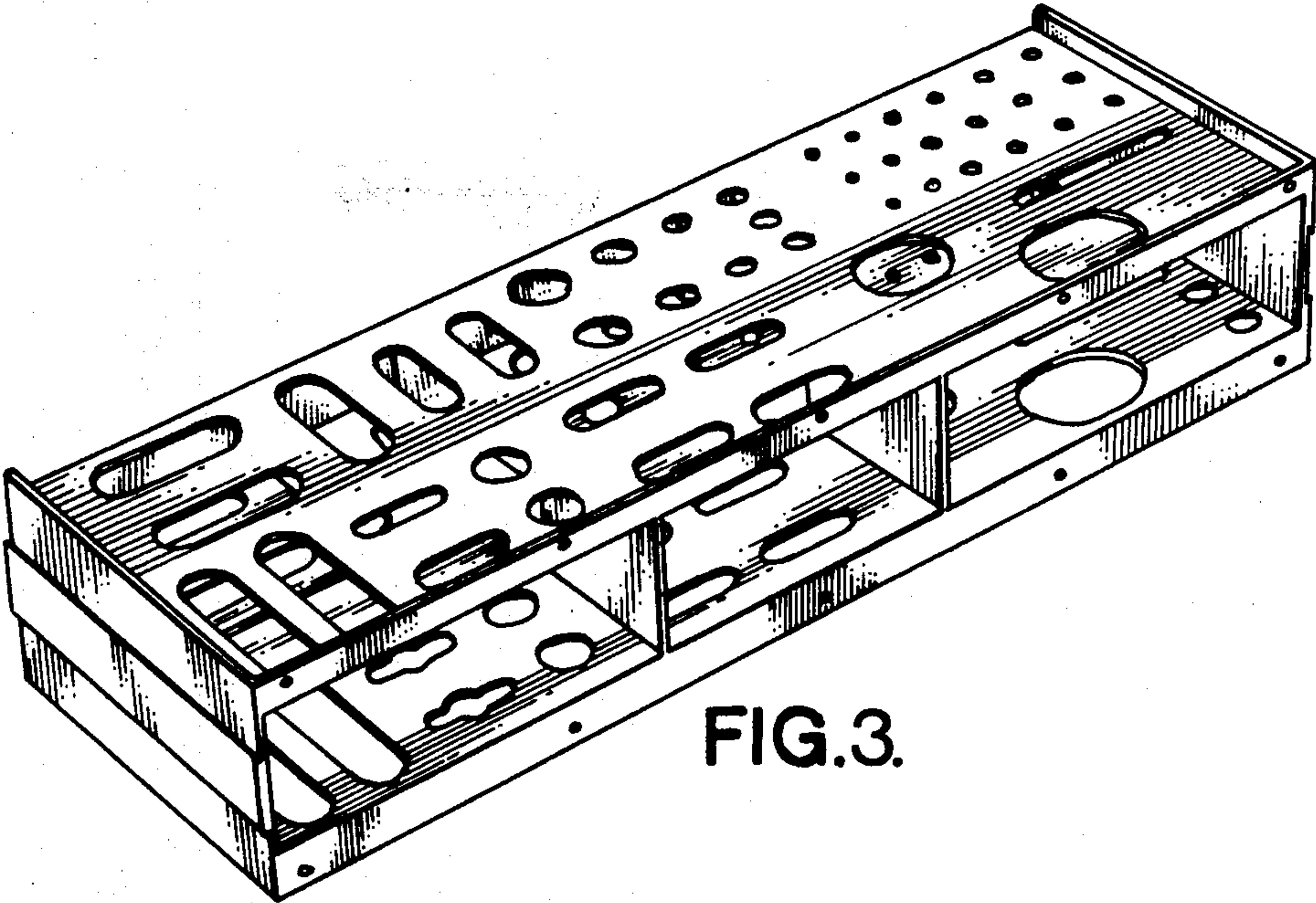


FIG.3.