

[54] FOLDABLE SUPPORT STAND FOR A DESK CALCULATOR OR SIMILAR ARTICLE

[76] Inventors: Tracy H. Forman, 51 Summit Rd., Parsippany, N.J. 07054; Arthur E. Lawida, 28 Gabriel Way, Westwood, N.J. 07675; Nat H. Herskowitz, 47 Bannehr St., Oakland, N.J. 07436

[**] Term: 14 Years

[21] Appl. No.: 693,141

[22] Filed: Jun. 7, 1976

[51] Int. Cl. D6-99

[52] U.S. Cl. D6/85; D6/184

[58] Field of Search D6/184, 185, 85, 181; 248/460, 463, 464, 465; 211/181

[56] References Cited

U.S. PATENT DOCUMENTS

D. 241,197 8/1976 Covell et al. D6/184 X

OTHER PUBLICATIONS

House and Garden, Apr. 1959, p. 111, Holder, top center.

Primary Examiner—Bruce W. Dunkins
Attorney, Agent, or Firm—Paul J. Sutton

[57] CLAIM

The ornamental design for a foldable support stand for a desk calculator or similar article, as shown and described.

DESCRIPTION

FIG. 1 is a top plan view of the foldable support stand for a desk calculator or similar article which comprises the present invention;

FIG. 2 is a right-side elevational view of a foldable support stand for a desk calculator or similar article;

FIG. 3 is a front elevational view of a foldable support stand for a desk calculator or similar article;

FIG. 4 is a rear elevational view of a foldable support stand for a desk calculator or similar article; and

FIG. 5 is a perspective view of the subject foldable support stand in its folded position, a calculator being shown therein in dot-dash lines for illustrative purposes only.

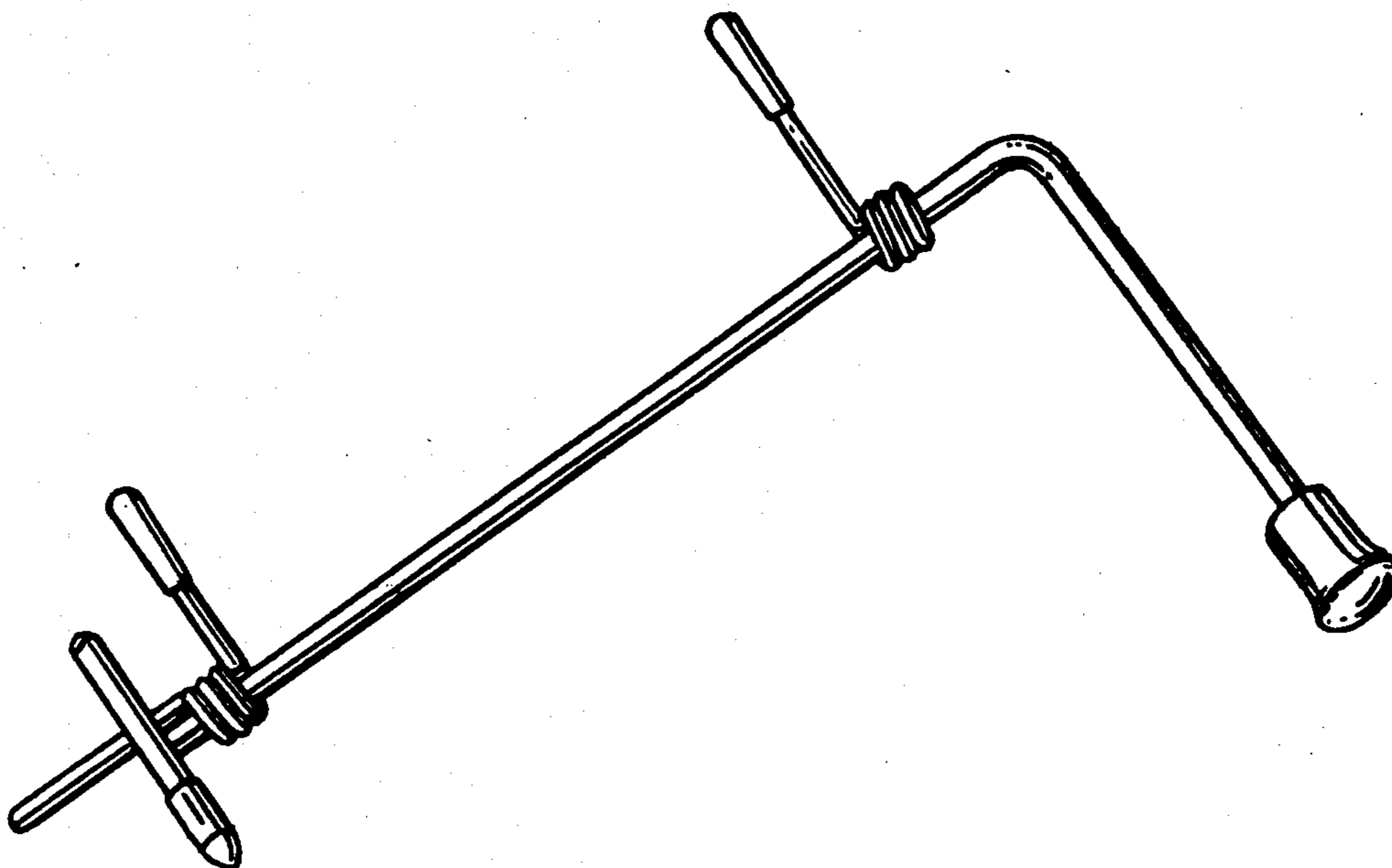


FIG. 1

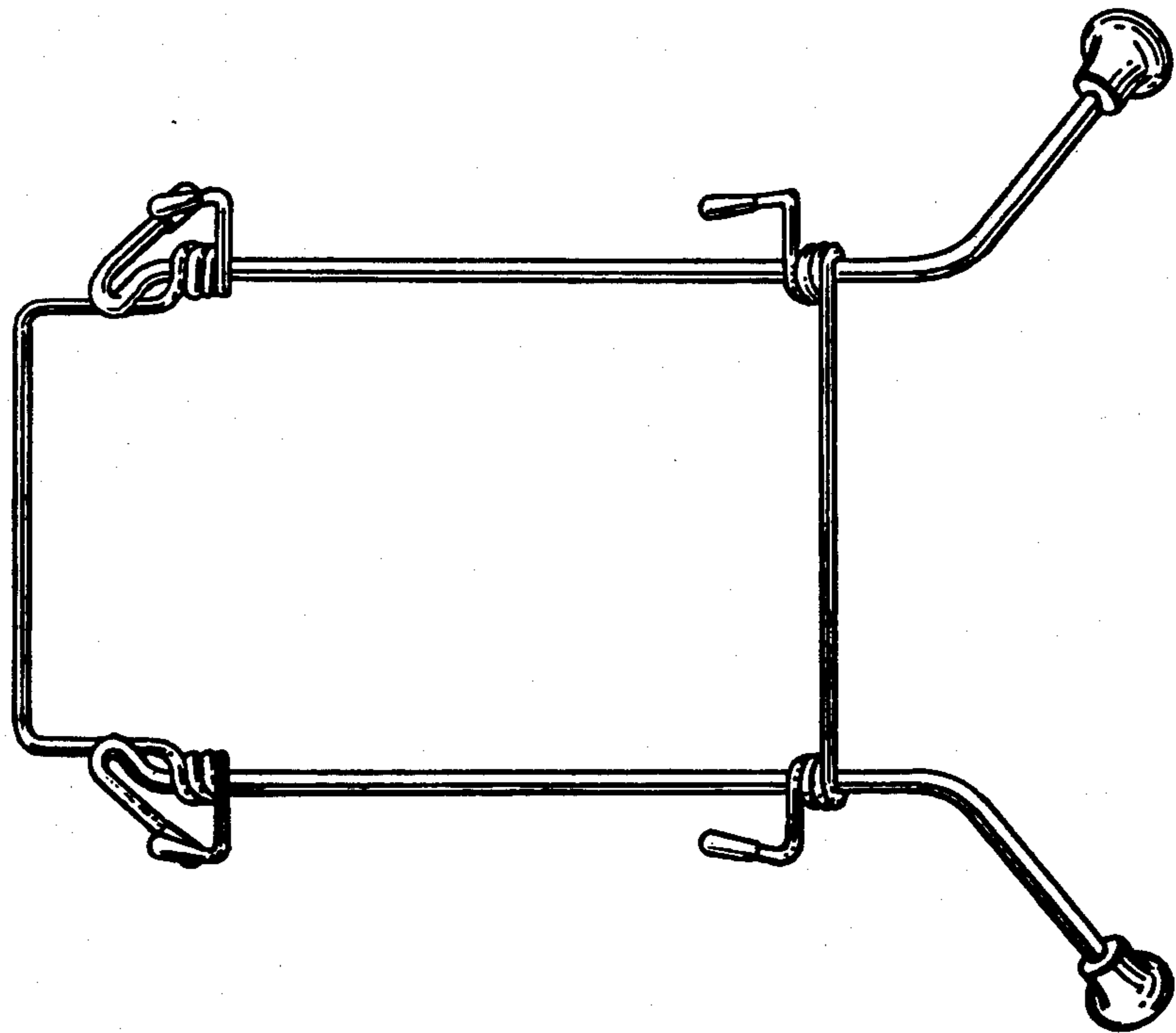


FIG. 2

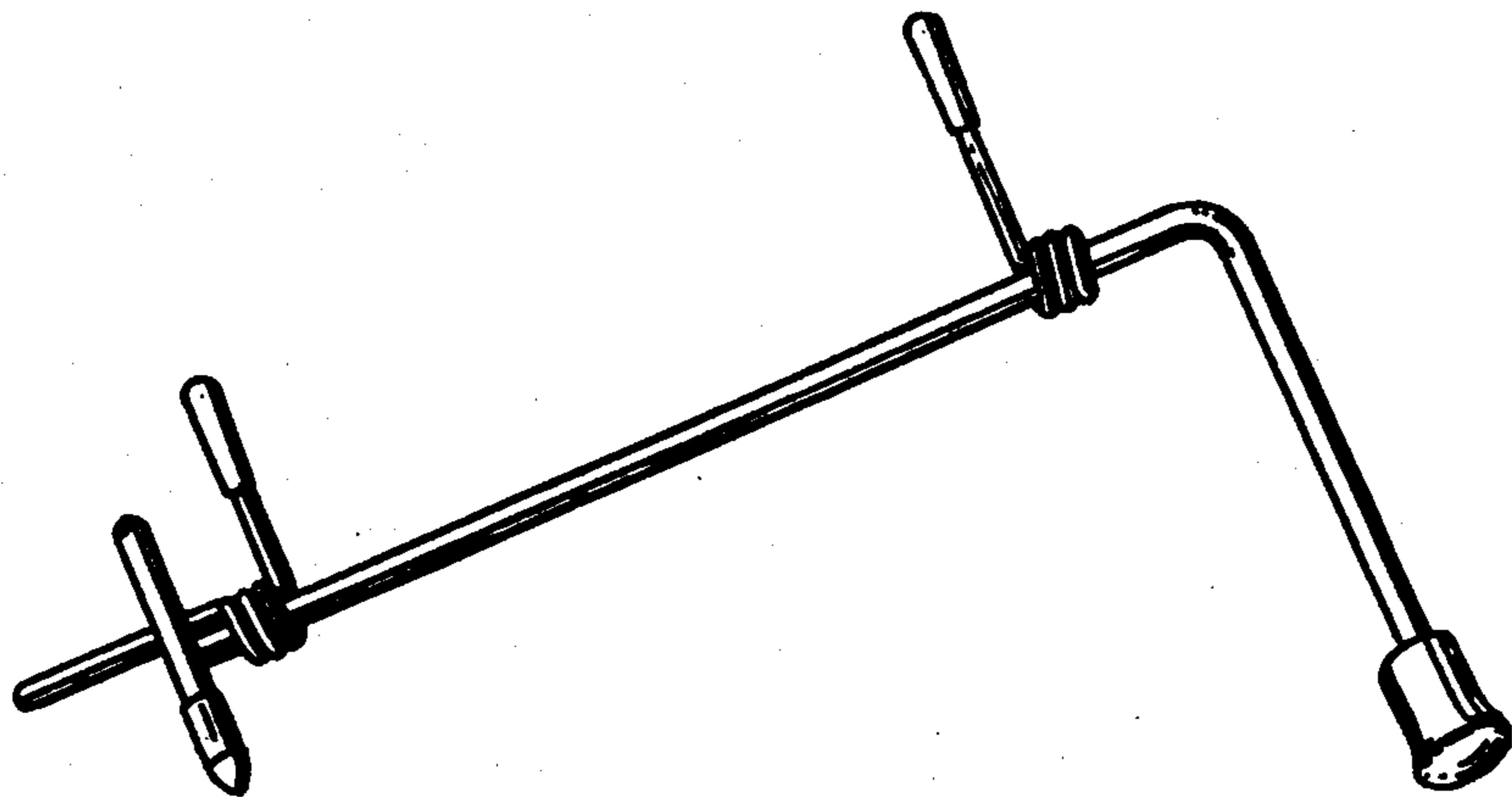


FIG. 3

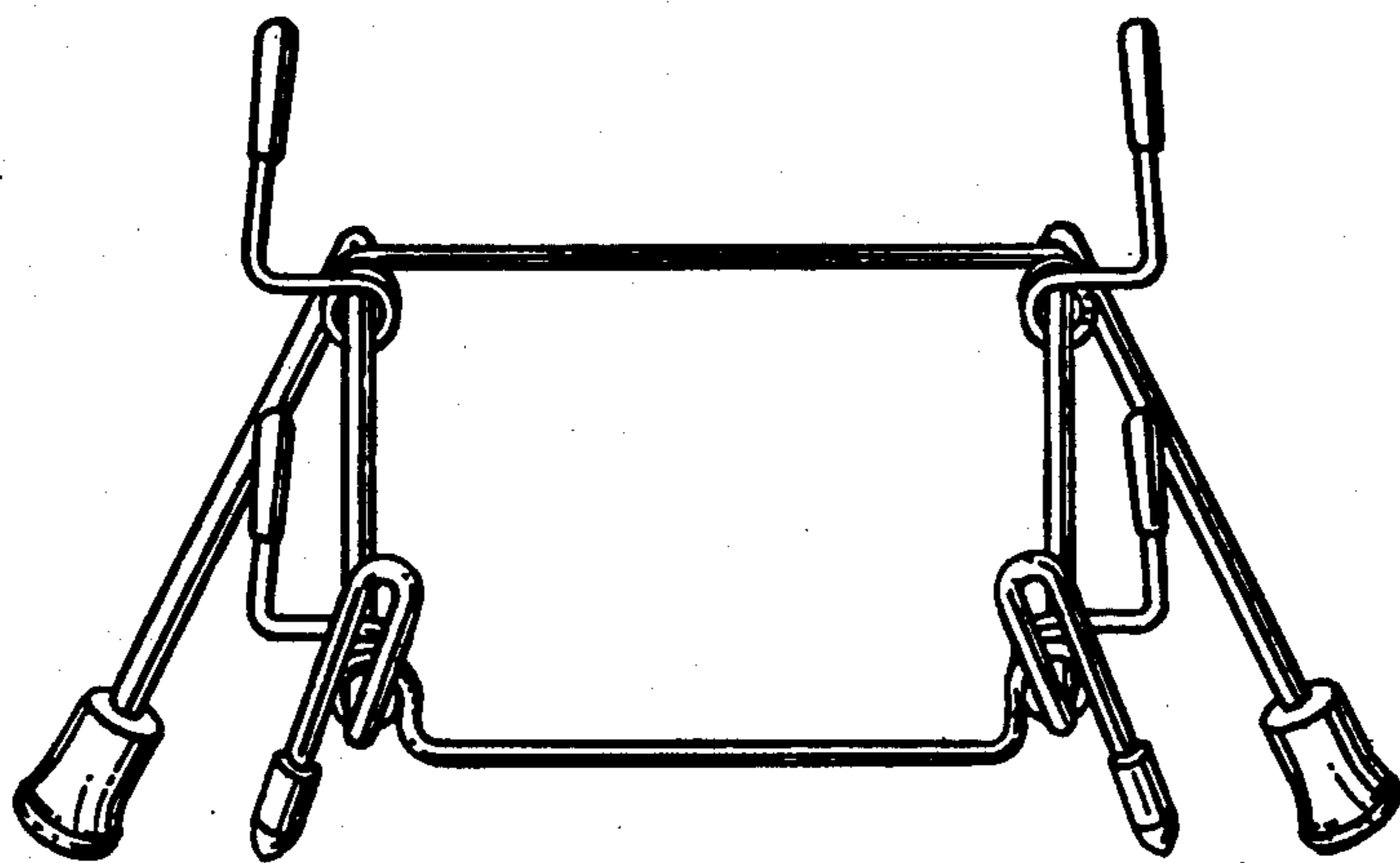


FIG. 4

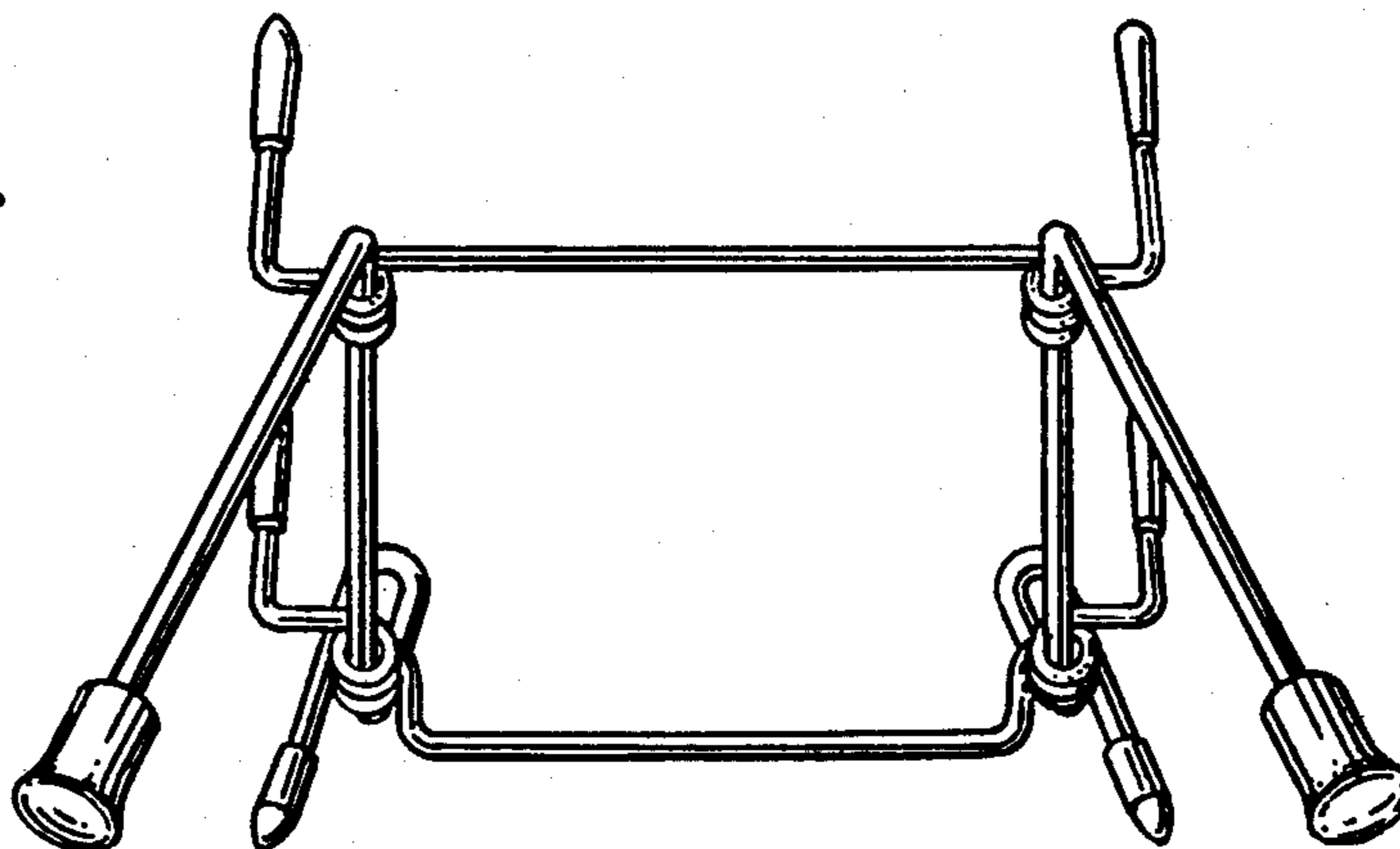


FIG. 5

