

[54] SEWING CADDY OR THE LIKE

[76] Inventor: Charles N. Epperson, 5960 S. Lewis, Tulsa, Okla. 74105

[**] Term: 14 Years

[21] Appl. No.: 851,521

[22] Filed: Nov. 14, 1977

[51] Int. Cl. D2-07

[52] U.S. Cl. D3/21; D6/7; 223/107

[58] Field of Search D3/19 R, 19 C, 19 D; 223/109 R, 109 A, 106, 107; D6/5, 7, 10, 11; D23/53

[56] References Cited

U.S. PATENT DOCUMENTS

D. 92,240	5/1934	Ferneau et al.	D3/19 D
D. 161,617	1/1951	Faeder	D3/19 D
2,723,788	11/1955	Lund	223/107

OTHER PUBLICATIONS

Notion & Novelty Review, Dec. 1950, p. 62, Rocker, upper center.

Primary Examiner—Joel Stearman

Assistant Examiner—Carmen H. Vales

Attorney, Agent, or Firm—William S. Dorman

[57] CLAIM

The ornamental design for a sewing caddy or the like, as shown and described.

DESCRIPTION

FIG. 1 is a left-end elevational view of a sewing caddy showing my new design;

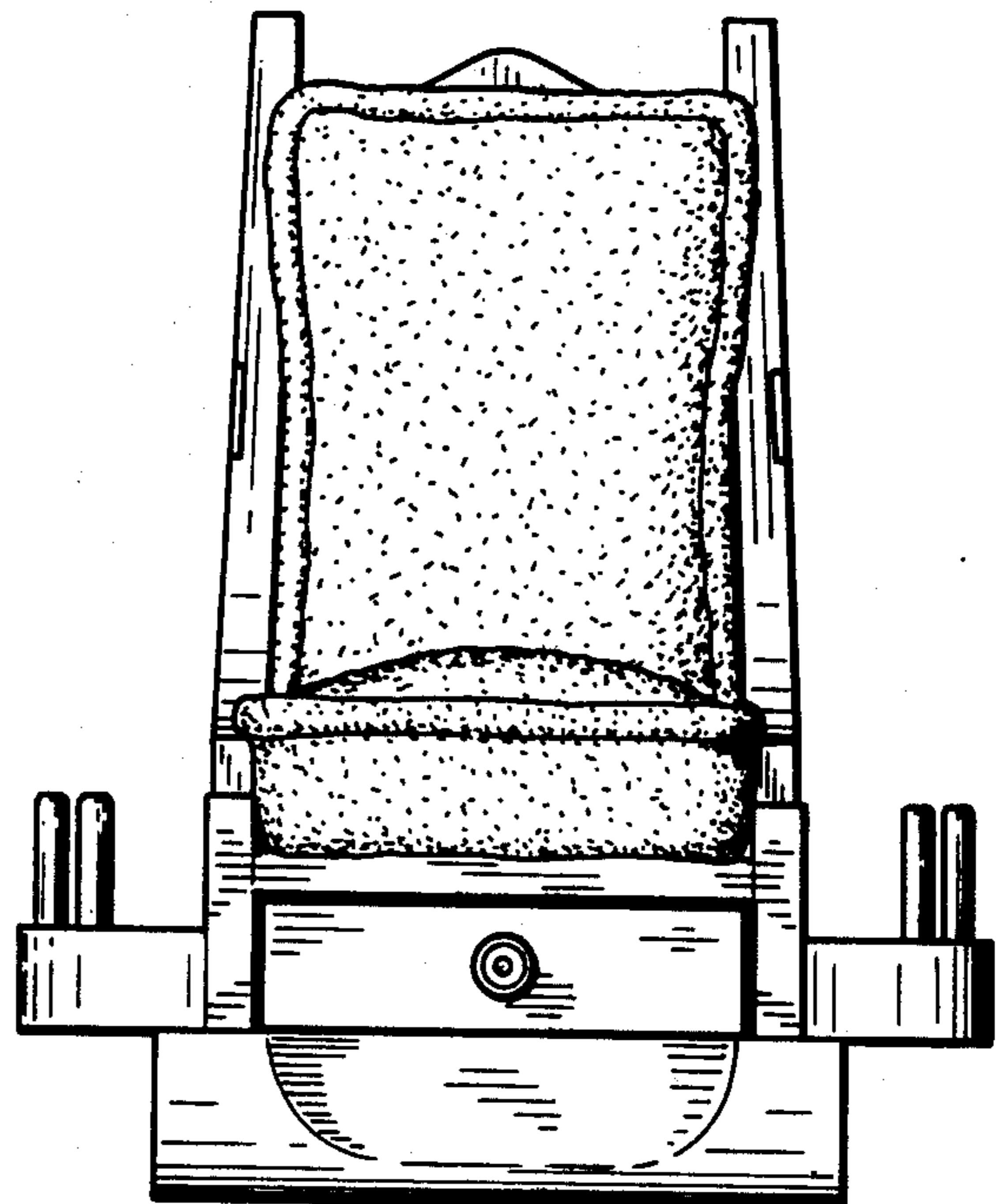
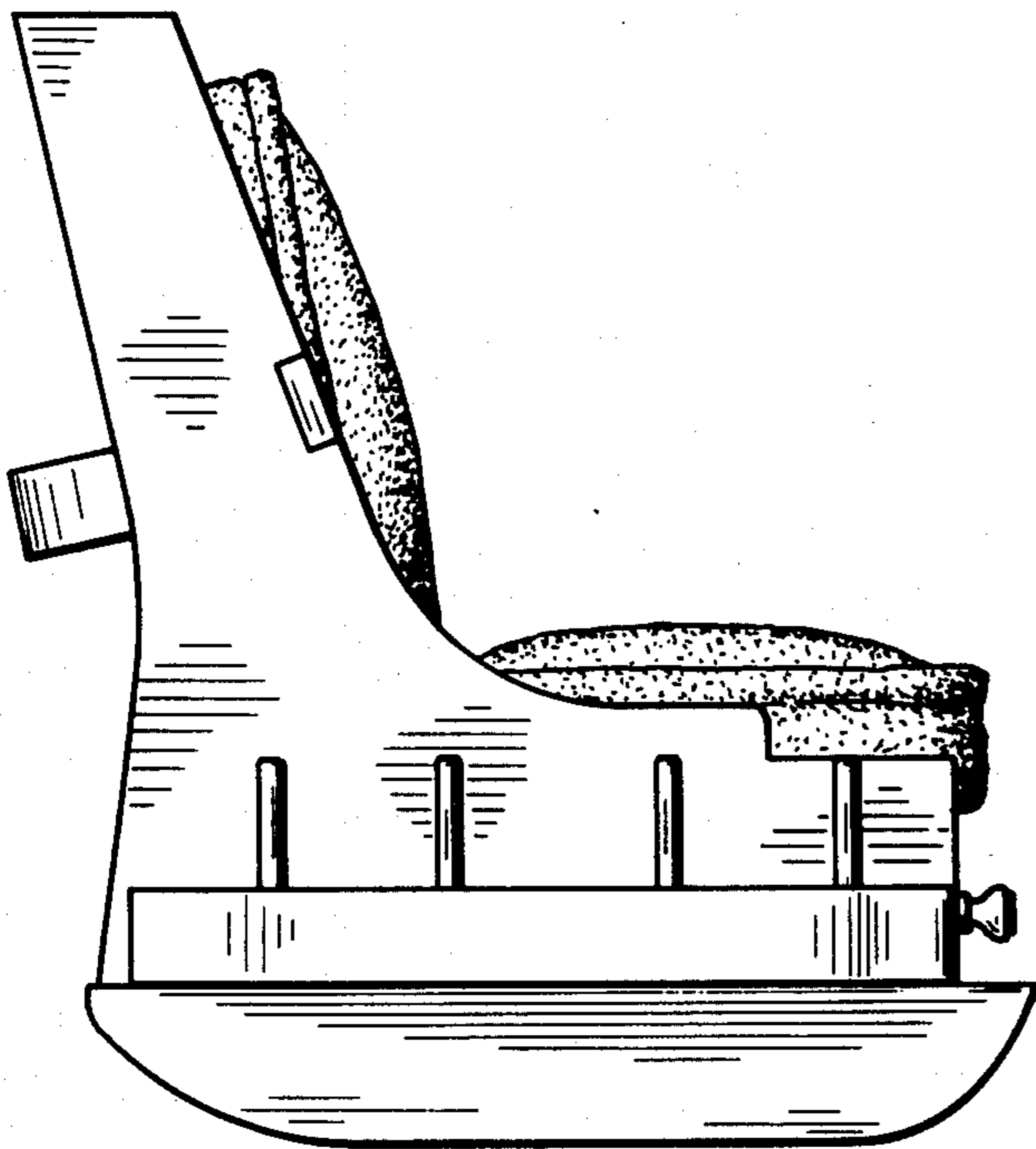
FIG. 2 is a top plan view thereof;

FIG. 3 is a bottom plan view thereof;

FIG. 4 is a front elevational view thereof; and

FIG. 5 is a rear elevational view thereof.

The right-end elevational view (not shown) is a mirror image of FIG. 1.



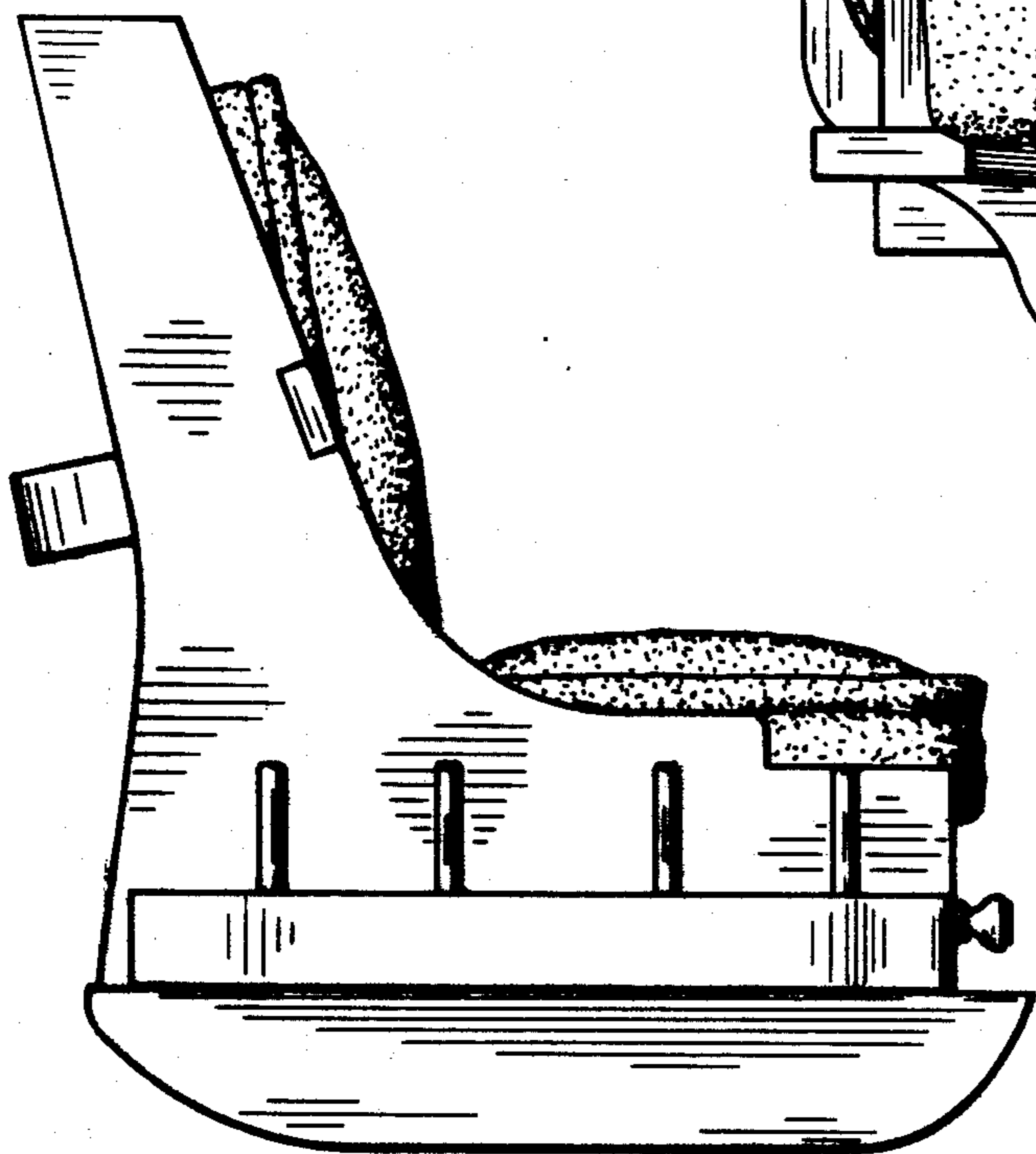


Fig. 1

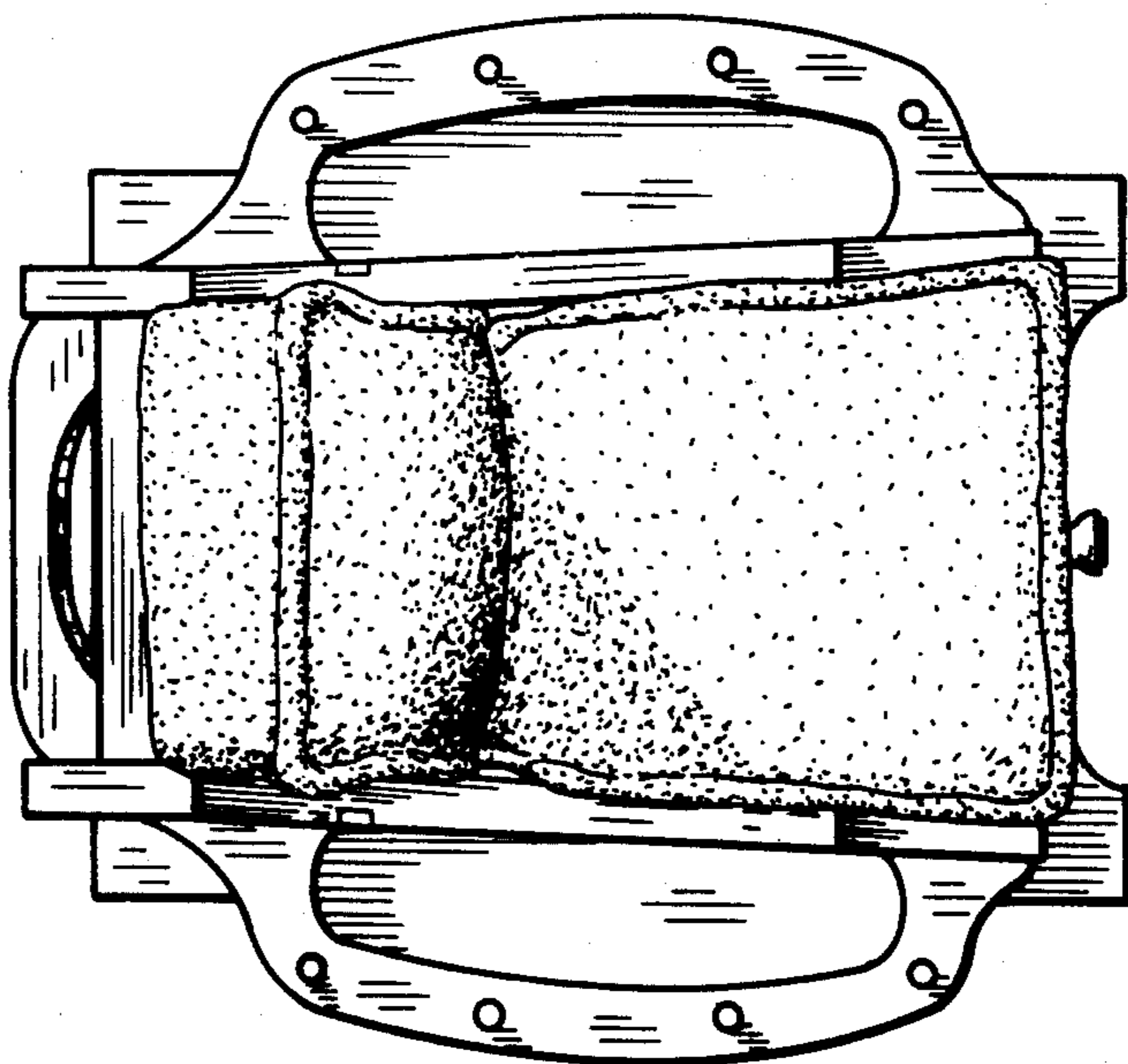


Fig. 2

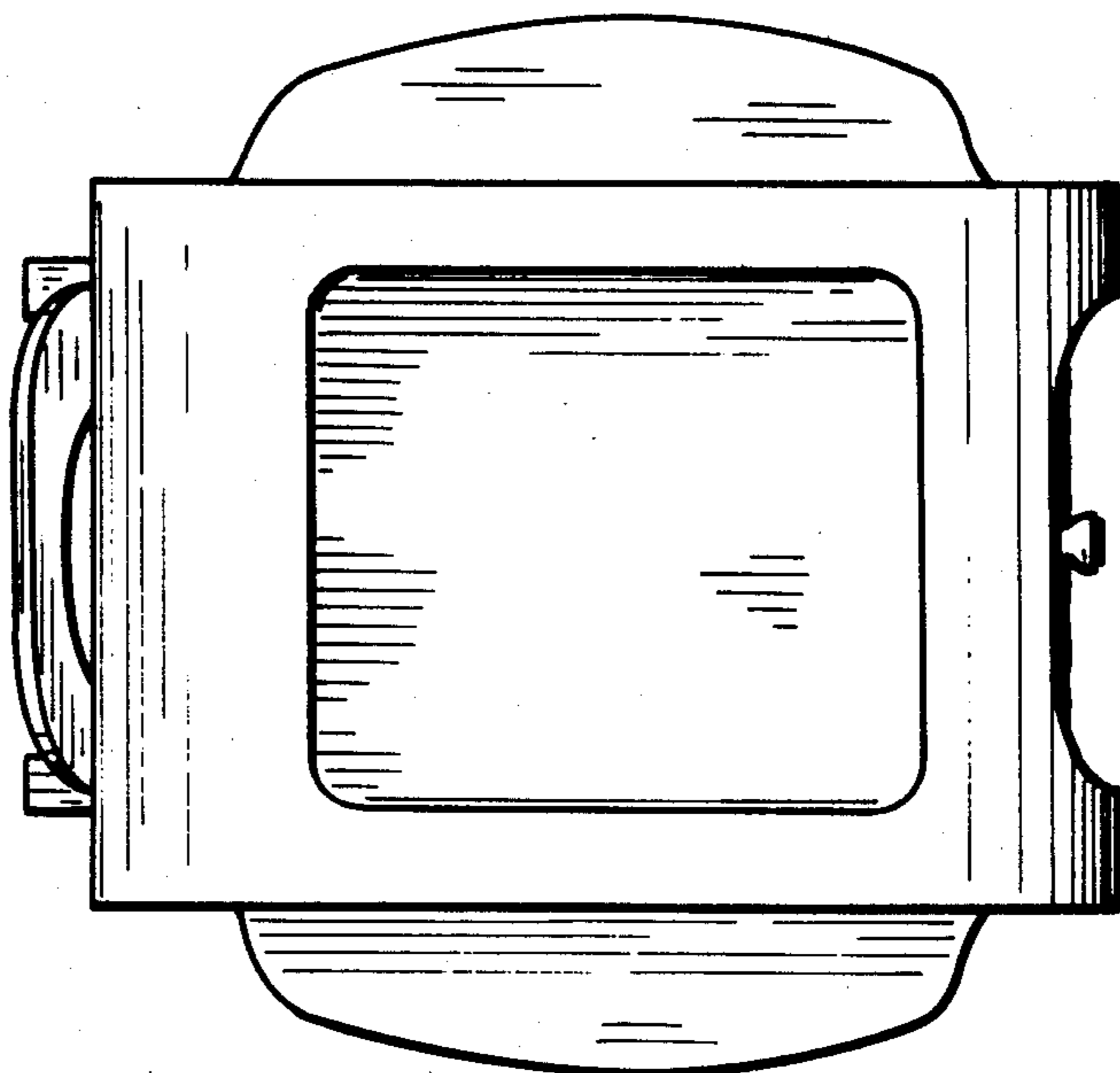


Fig. 3

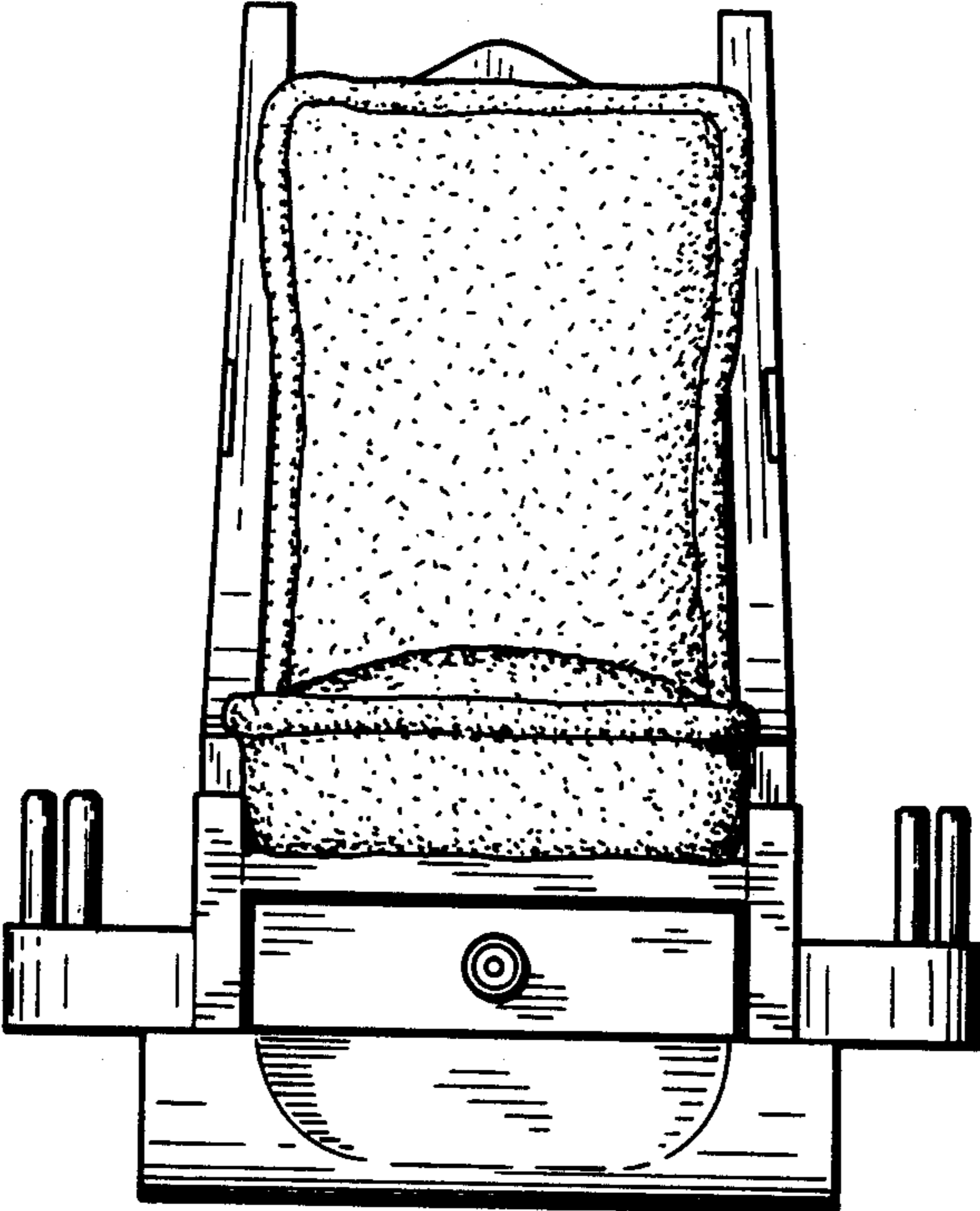


Fig. 4

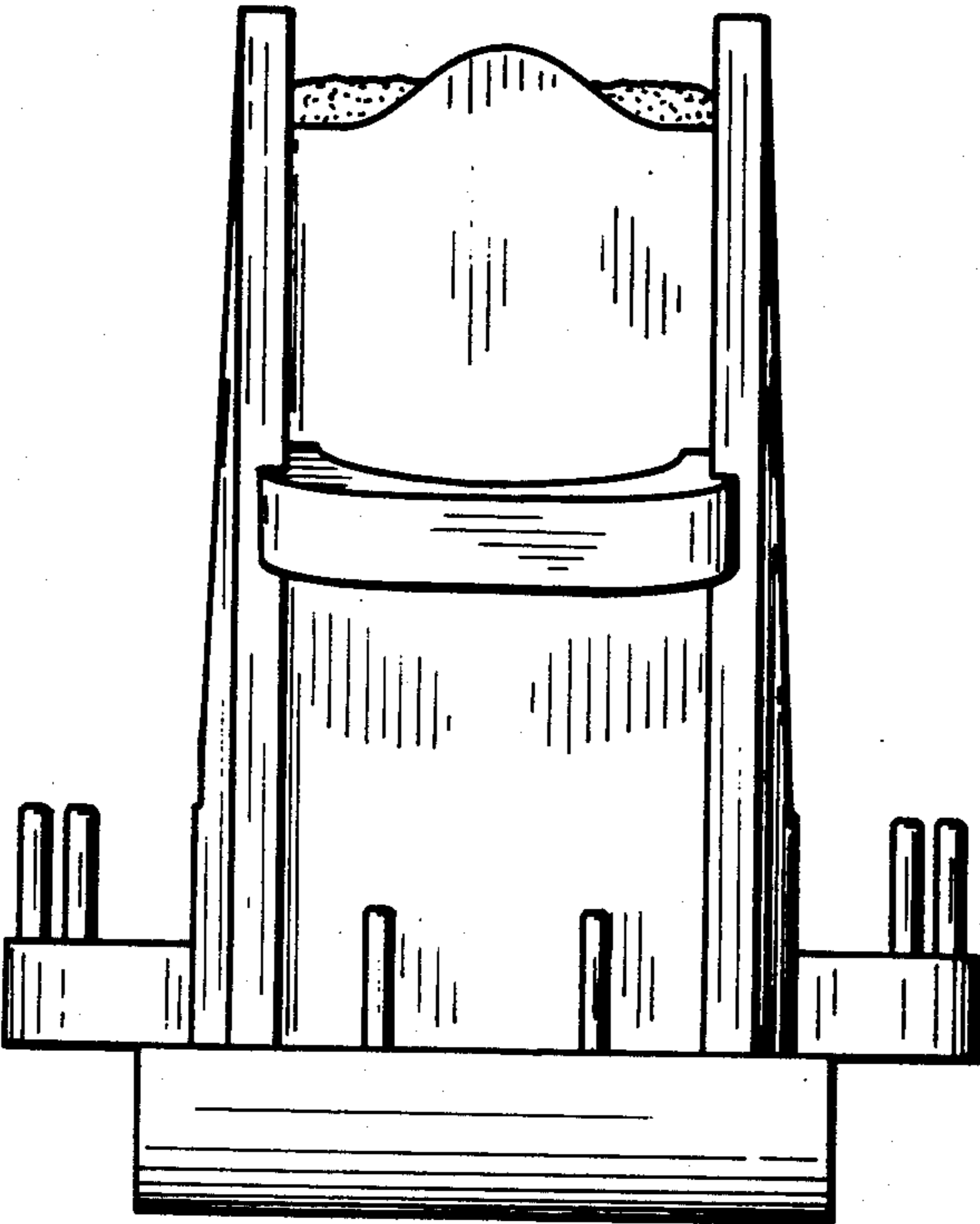


Fig. 5